

**INDEX**

Bearing & Seal Kits.....	9-10	Hub Kits, Unassembled .....	9-7
Casters .....	9-15 to 9-16	Jacks.....	9-17 to 9-18
Dust Caps .....	9-9	Seals.....	9-8
Grease Seals.....	9-8	Spindles.....	9-8, 9-13
Hitch Balls.....	9-16	Spindle Nuts .....	9-10
Hitch Couplers .....	9-17	Spindle Washers.....	9-10
Hubs		Trailer Balls .....	9-16
10 Bolt, 11.25" Bolt Circle, 8.69" Pilot.....	9-6	Trailer Couplers.....	9-17
4 Bolt, 5" Bolt Circle, 3.62" Pilot.....	9-2, 9-7	Trailer Jacks .....	9-18
5 Bolt, 5.50" Bolt Circle, 4" Pilot.....	9-3, 9-7	Utility Wheels.....	9-14
6 Bolt, 6" Bolt Circle, 4.62" Pilot.....	9-4 to 9-5, 9-7	Wheels	
8 Bolt, 8" Bolt Circle, 6" Pilot.....	9-6 to 9-7	12" Light Duty Concave .....	9-1
For up to 12" Diameter Wheels .....	9-1	14" Light Duty Concave .....	9-2
For 14" Diameter Wheels .....	9-2 to 9-5, 9-7	14" Medium Duty.....	9-3
For 15" Diameter Wheels .....	9-2 to 9-7	14" Standard Convex .....	9-4
For 16" Diameter Wheels .....	9-4 to 9-7	15" Agricultural Duty.....	9-5
Air Seeder.....	9-13	15" Light Duty Concave .....	9-2
Bourgault, To Fit.....	9-12	15" Medium Duty.....	9-3
CCIL, To Fit .....	9-13	15" Standard Convex .....	9-4
Chisel Plow .....	9-13	16" Standard Convex .....	9-4
Complete.....	9-7	Flat Free .....	14
Concord, To Fit.....	9-12	Plastic.....	9-14
Flexicoil, To Fit .....	9-13	Rib.....	9-14
John Deere, To Fit.....	9-11 to 9-12	Wheel Barrow .....	9-14
Kits with Components .....	9-7	Utility.....	9-14
Melroe, To Fit.....	9-11	Wheel Bolts.....	9-9
Morris, To Fit.....	9-13	Wheel Offset Explanation .....	9-1
Special.....	9-11 to 9-13	Wheel Stud Nuts .....	9-9
Versatile, To Fit.....	9-11		

**INTENTIONALLY  
BLANK**

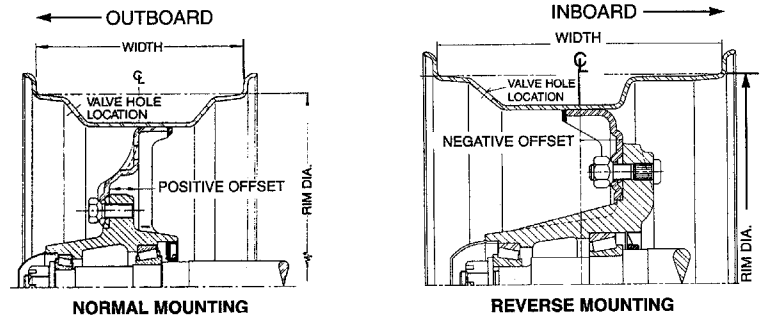
# CTD HUBS, WHEELS & SPINDLES

## Wheel Offset Explanation

**OFFSET:** (as defined by S.A.E. standards) is the distance between mounting face of the flange and the rim centerline.

**POSITIVE OFFSET: (INSET)** This distance is termed positive when the mounting face is outboard of the rim centerline.

**NEGATIVE OFFSET: (OUTSET)** This distance is termed negative when the mounting face is inboard of the rim centerline.

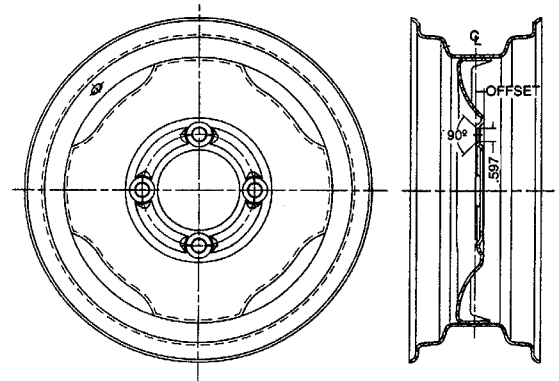


## 12" Light Duty Concave Implement Wheels

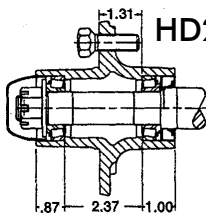
4 BOLT, 4" BOLT CIRCLE, 2.80" PILOT

PART NO.	RIM	OFFSET	CAPACITY (lbs.)
HUB 12X4X4	12 x 4	0.0"	1045

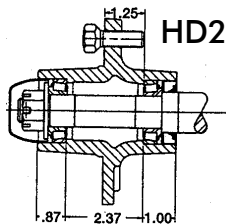
\*Westward does not sell a hub to match this wheel.



## Hubs & Components for up to 12" Diameter Wheels



HD211-2



HD213-2

Replacement kit that contains 2 cups, 2 cones, grease seal & dust cap:

PART NO.
HUB HD211-2BK

HUB ORDER NO.	NO. OF BOLTS	BOLT CIRCLE	PILOT	INNER CUP	OUTER CUP	INNER CONE	OUTER CONE	DUST CAP	WHEEL BOLT	GREASE SEAL	*CAP lbs.	SPINDLE
HUB HD211-2	4	4.00	2.50	L44610	L44610	L44643	L44643	DC11	WB10	SE10	1250	S210-A36
HUB HD213-2	5	4.50	3.28	L44610	L44610	L44643	L44643	DC11	WB10	SE10	1250	S210-A36

NOTE: HD211-2 & HD213-2 hub capacity based on zero offset. Maximum wheel diameter 12".

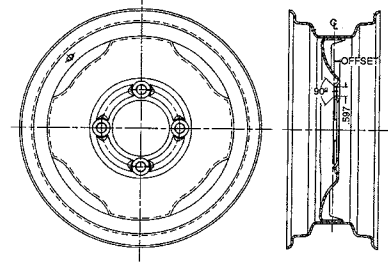
Hubs include parts in shaded areas only.

**CTD HUBS, WHEELS & SPINDLES**

**14" & 15" Diameter Light Duty Concave Implement Wheels**

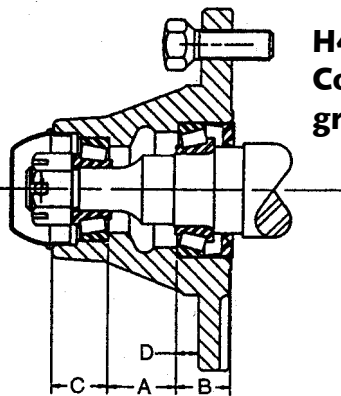
4 BOLT, 5" BOLT CIRCLE, 3.62" PILOT

PART NO.	RIM	OFFSET	CAPACITY (lbs.)
HUB 14X5X4	14 x 5 KB	-.38	1250
HUB 15X5X4	15 x 5 KB	-.38	1250

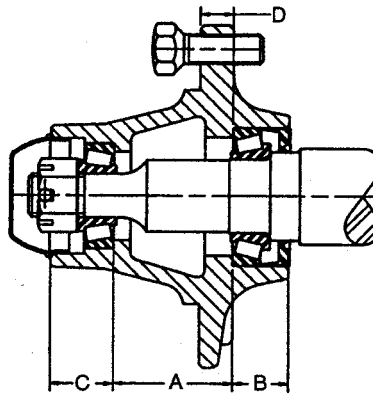


**Hubs & Component Parts for 14" & 15" Diameter Light Duty Wheels**

4 BOLT, 5" BOLT CIRCLE, 3.62" PILOT



**H411**  
Comes with  
grease fitting



**H413**  
Comes with  
grease fitting

Replacement kit that contains 2 cups, 2 cones, grease seal & dust cap:

PART NO.
HUB HD411-3BK

HUB ORDER NO.	BEARING ORDERING NO.						PARTS ORDERING NO.			A	B	C	D	*CAP lbs.	SPINDLE
	INNER CUP	OUTER CUP	INNER CONE	INNER BORE	OUTER CONE	OUTER BORE	DUST CAP	WHEEL BOLT	GREASE SEAL						
HUB H411-3	LM67010	LM11910	LM67048	1.25	LM11949	.75	DC12	WB10	SE11	1.18	.93	.93	.37	1250	S411-A09
HUB H413-6	LM67010	LM11910	LM67048	1.25	LM11949	.75	DC24	WB10	SE11	2.00	.93	1.06	.56	1500	S511-A01

Hub capacities based on .38 Negative Offset, 20,000 mile minimum bearing life at tractor speed (20MPH) and 14,000 PSI. Maximum Fiber Stress on the spindle. Hubs include parts in shaded areas only.

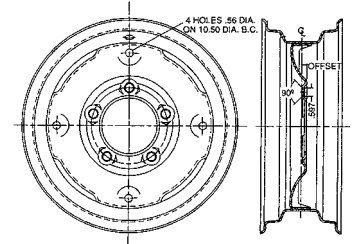
**Check Section 2 For a Complete Range of Bearings & Section 4 For Grease and Lubricants**

**CTD HUBS, WHEELS & SPINDLES**

**14" & 15" Diameter Medium Duty Implement Wheels**

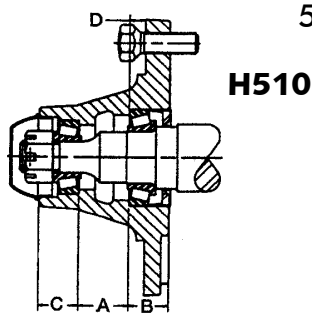
**5 BOLT, 5.50" BOLT CIRCLE, 4" PILOT**

PART NO.	RIM	OFFSET	CAPACITY (lbs.)
HUB 14X6X5	14 x 6 KB	-.25	2000
HUB 15X6X5	15 x 6 LB	-.25	2000
HUB 15X8X5	15 x 8 LB	-.25	2000

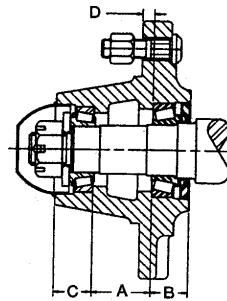


**Hubs & Component Parts for 14" & 15" Diameter Medium Duty Wheels**

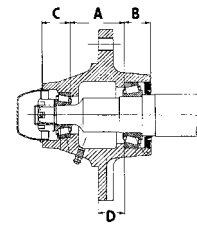
**5 BOLT, 5.50" BOLT CIRCLE, 4" PILOT**



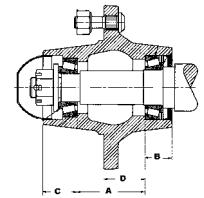
**H510**



**H517**  
Comes with grease fitting

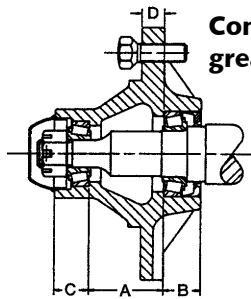


**H516**  
Comes with grease fitting



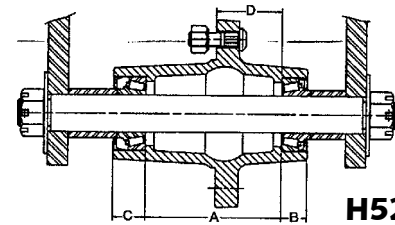
**H519**

**H511**  
Comes with grease fitting



Replacement kit that contains 2 cups, 2 cones, grease seal & dust cap:

PART NO.
HUB H511-2BK
HUB H516BK



**H520**

HUB ORDER NO.	BEARING ORDERING NO.						PARTS ORDERING NO.			A	B	C	D	*CAP lbs.	SPINDLE
	INNER CUP	OUTER CUP	INNER CONE	INNER BORE	OUTER CONE	OUTER BORE	DUST CAP	WHEEL BOLT	GREASE SEAL						
HUB H510	LM67010	LM11910	LM67048	1.25	LM11949	.75	DC12	WB10	SE11	1.18	.93	.93	.37	1250	S411-A09
HUB H511-2	LM67010	LM11910	LM67048	1.25	LM11949	.75	DC12	WB10	SE11	2.03	1.0	.93	.63	1800	S511-A01
HUB H517-2	LM48510	LM67010	LM48548	1.37	LM67048	1.25	DC13	WB16 WB11	SE13	1.56	1.0	1.0	.31	2760	S517-A02
HUB H520	LM14276	LM14276	LM14136A	1.37	LM14136A	1.37	-	WB16 WB11	SE13	5.00	1.0	1.0	2.43	5700	
HUB H516	LM48510	LM11910	LM48548	1.37	LM11949	.75	DC12	WB10	SE14	2.03	1.0	1.09	1.0	1840	S516-A03
HUB H519	LM13621	LM15250	LM13685	1.50	LM15118	1.189	DC15	WB16 WB11	SE13X	2.87	1.125	1.437	1.75	1680	S519

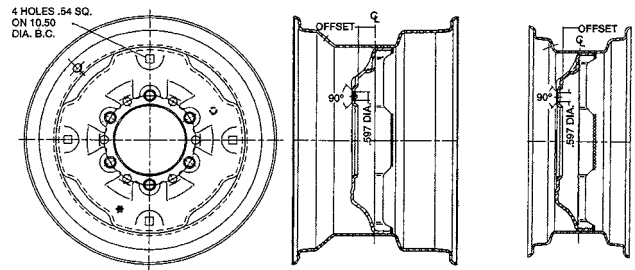
Hub capacities based on .25 negative offset 20,000 mile minimum bearing life at tractor speed (20 mph) and 14,000 PSI. Maximum Fiber Stress on the spindle. **Hubs include parts in shaded areas only.**

**CTD HUBS, WHEELS & SPINDLES**

**14" & 15" & 16" Diameter Standard Convex Implement Wheels**

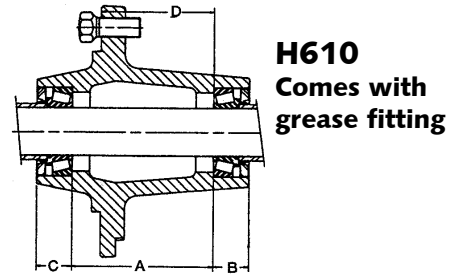
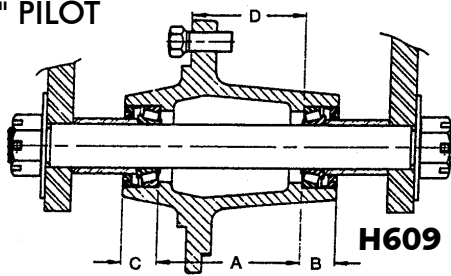
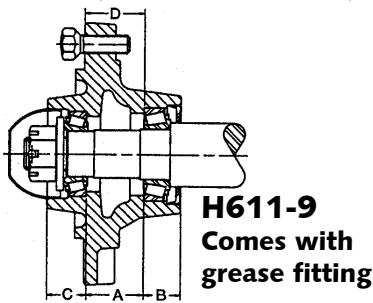
**6 BOLT, 6" BOLT CIRCLE, 4.62" PILOT**

PART NO.	RIM	OFFSET	CAPACITY (lbs.)
HUB 14X6X6	14 x 6 KB	+ 1.12	2800
HUB 15X6X6	15 x 6 LB	+ 1.12	3000
HUB 15X8X6	15 x 8 LB	+ 1.12	3000
HUB 15X10X6	15 x 10 LBH	+ 1.12	3800
HUB 16X6X6	16 x 6 LBH	+ 1.12	3800
HUB 16X8X6	16 x 8 LBH	+ 1.12	3800



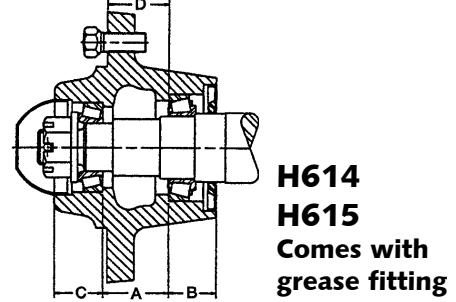
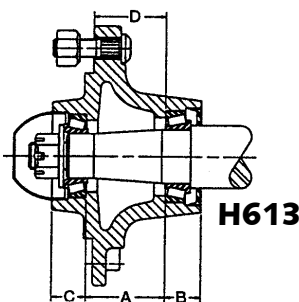
**Hubs & Component Parts for 14" & 15" & 16" Convex Implement Wheels**

**6 BOLT, 6" BOLT CIRCLE, 4.62" PILOT**



Replacement kit that contains 2 cups, 2 cones, grease seal & dust cap:

PART NO.
HUB H611-9BK
HUB H614-1BK
HUB H615-1BK



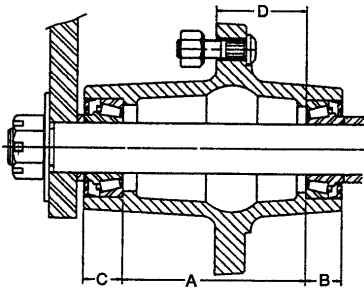
HUB ORDER NO.	BEARING ORDERING NO.						PARTS ORDERING NO.			A	B	C	D	*CAP lbs.	SPINDLE
	INNER CUP	OUTER CUP	INNER CONE	INNER BORE	OUTER CONE	OUTER BORE	DUST CAP	WHEEL BOLT	GREASE SEAL						
HUB H609	LM67010	LM67010	LM67048	1.25	LM67048	1.25	-	WB12	SE12	4.00	1.00	1.00	3.18	2450	
HUB H610-3	LM48510	LM48510	LM48548	1.37	LM48548	1.37	-	WB12	SE14	4.00	1.00	1.00	3.18	3800	
HUB H611-9	LM29710	LM67010	LM29749	1.50	LM67048	1.25	DC13	WB10	SE13	1.56	1.00	1.06	1.62	3600	S611-A04
HUB H611-1-J	JL69310	LM67010	JL69349	1.50	LM67048	1.25	DC13	WB10	SE14	1.56	1.00	1.06	1.62	3600	S611-1-JA04
HUB H613	LM29710	LM67010	LM29749	1.50	LM67048	1.25	DC13	WB16 WB11	SE13	2.18	1.00	.93	2.00	2930	S613
HUB H614-1	LM603011	LM48510	LM603049	1.78	LM48548	1.37	DC15	WB12	SE16	1.75	1.37	1.37	1.62	5000	S614-A05
HUB H615-1	LM603011	LM48510	LM603049	1.78	LM48548	1.37	DC15	WB12	SE29	1.75	1.37	1.37	1.62	5000	S614-A05

Hub capacities based on 1.12 positive offset 20,000 mile minimum bearing life at tractor speed (20mph) and 14,000 PSI. Maximum fiber stress on the spindle. **Hubs include parts in shaded areas only.**

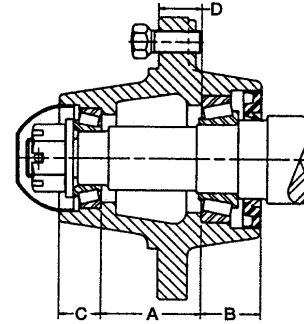
**CTD HUBS, WHEELS & SPINDLES**

**Hubs & Component Parts for 14", 15" & 16" Convex Implement Wheels**

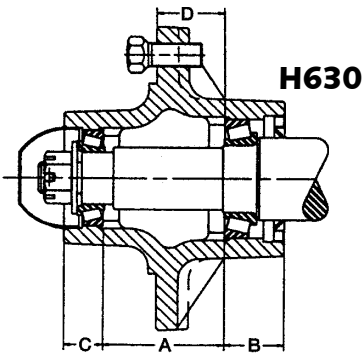
6 BOLT, 6" BOLT CIRCLE, 4.62" PILOT



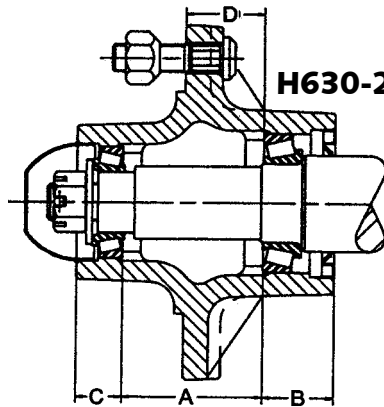
**H617**  
Comes with grease fitting



**H618**  
Comes with grease fitting



**H630**



**H630-2**

Replacement kit that contains 2 cups, 2 cones, grease seal & dust cap:

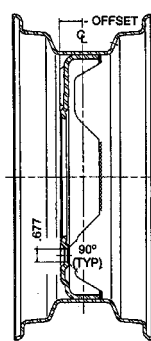
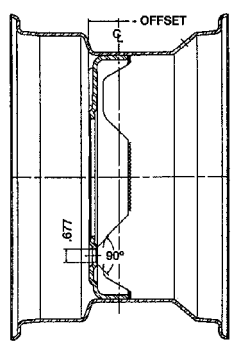
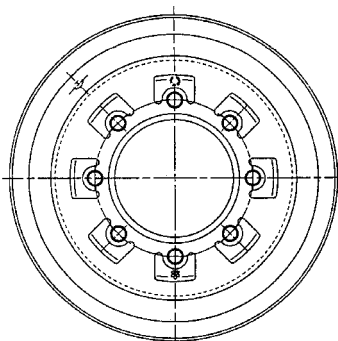
PART NO.
HUB H618-3BK

HUB ORDER NO.	BEARING ORDERING NO.						PARTS ORDERING NO.			A	B	C	D	*CAP lbs.	SPINDLE
	INNER CUP	OUTER CUP	INNER CONE	INNER BORE	OUTER CONE	OUTER BORE	DUST CAP	WHEEL BOLT	GREASE SEAL						
HUB H617-1	13621	13621	13686	1.50	13686	1.50	-	WB16 WB11	SE24	5.00	1.06	1.00	3.37	3500	
HUB H618	25520	LM48510	25580	1.75	LM48548	1.37	DC15	WB12	SE30	2.53	1.53	1.06	1.09	6000	S618-A17
HUB H630	LM501310	LM67010	LM501349	1.62	LM67048	1.25	DC13	WB12	SE44	2.84	1.43	.93	1.59	3500	S630-A01
HUB H630-2	LM501310	LM67010	LM501349	1.62	LM67048	1.25	DC13	WB41 WB40	SE44	2.84	1.43	.93	1.59	3500	S630-A01

Hub capacities based on 1.12 positive offset 20,000 mile minimum bearing life at tractor speed (20mph) and 14,000 PSI. Maximum fiber stress on the spindle. **Hubs include parts in shaded areas only.**

**15" & 16" Diameter Agricultural Implement Wheels**

8 BOLT, 8" BOLT CIRCLE, 6" PILOT



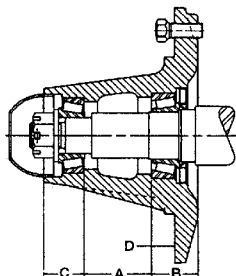
PART NO.	RIM	OFFSET*	CAPACITY (lbs.)
HUB 15X8X8	15 x 8 LB	-1.50	5000
HUB 15X10X8	15 x 10 LB	+38	5000
HUB 16X8X8	16 x 8 LBH	-1.50	5000
HUB 16X10X8	16 x 10 LB	-1.50	5000

\*Other offsets available.

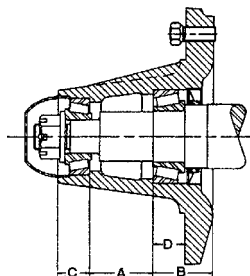
**CTD HUBS, WHEELS & SPINDLES**

**Hubs & Component Parts for 15" & 16" Agricultural Wheels**

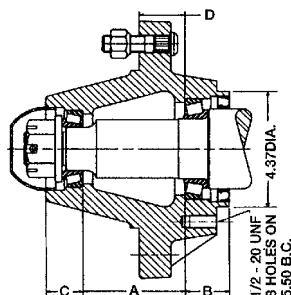
8 BOLT, 8" BOLT CIRCLE, 6" PILOT  
for Agricultural Applications



**H811**  
Comes with grease fitting



**H812**  
Comes with grease fitting



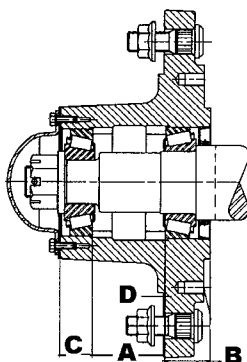
**H817**  
Comes with grease fitting

HUB ORDER NO.	BEARING ORDERING NO.						PARTS ORDERING NO.			A	B	C	D	*CAP lbs.	SPINDLE
	INNER CUP	OUTER CUP	INNER CONE	INNER BORE	OUTER CONE	OUTER BORE	DUST CAP	WHEEL BOLT	GREASE SEAL						
HUB H811	25520	25821	25590	1.79	25877	1.37	DC17	WB12	SE16	2.50	1.75	1.50	.87	5050	S811
HUB HD812-10	3720	2720	3780	2.00	2790	1.31	DC17	WB12	SE17	2.44	2.28	1.21	1.21	6100	S812-A27
HUB H817-3	382A	LM5013-10	387AS	2.25	LM50-1349	1.62	DC26	WB46 WB18	SE42	3.75	1.62	1.37	1.68	7500	S817-A03

\*Hub capacities based on 1.50 negative offset (H817 series based on 1.12 positive offset). 20,000 mile minimum bearing life at tractor speed (20mph) and 14,000 PSI. Maximum fiber stress on the spindle. **Hubs include parts in shaded areas only.**

**Hubs & Component Parts for Agricultural Applications**

10 BOLT, 11.25" BOLT CIRCLE, 8.69" PILOT



**H1010**  
Comes with grease fitting

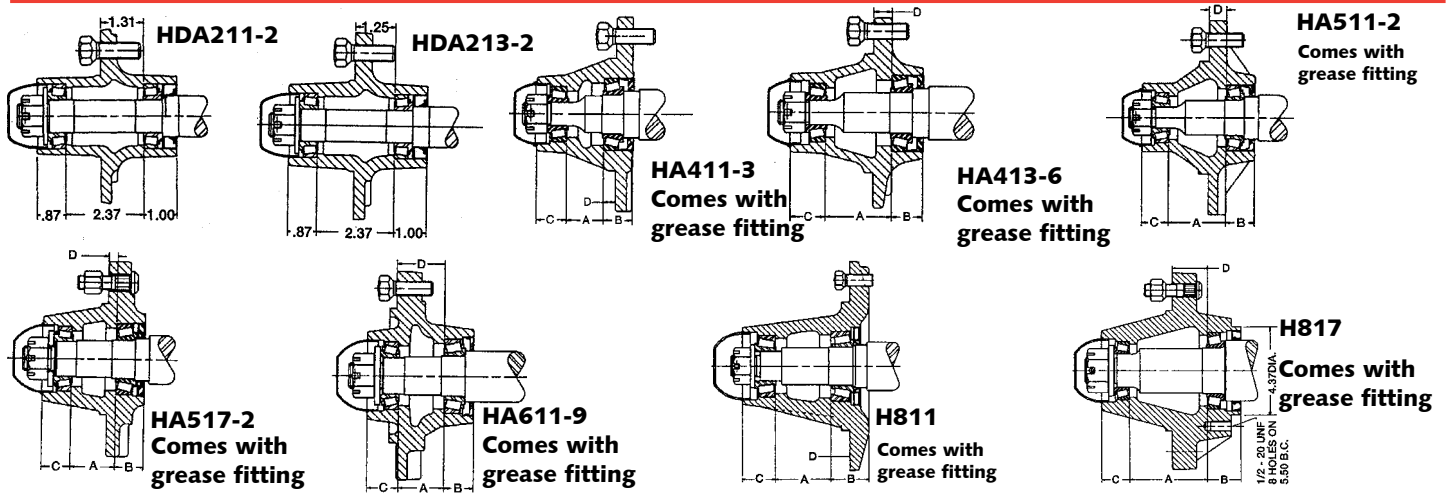
HUB ORDER NO.	BEARING ORDERING NO.						PARTS ORDERING NO.			A	B	C	D	*CAP lbs.	SPINDLE
	INNER CUP	OUTER CUP	INNER CONE	INNER BORE	OUTER CONE	OUTER BORE	DUST CAP	WHEEL BOLT	GREASE SEAL						
HUB H1010-13**	39520	453A	39585	2.50	460	1.75	DC27	WB51 WB52	SE48	2.81	1.75	1.25	0.06	12,000	S1010-A02

\*Hub capacities based on zero offset, 20,000 mile minimum bearing life at tractor speed (20mph) and 14,000 PSI. Maximum fiber stress on the spindle. \*\*For brake application. **Hubs include parts in shaded areas only.**



**CTD HUBS, WHEELS & SPINDLES**

**Hub & Component Kits, Unassembled**

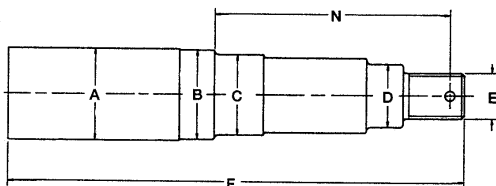


HUB ORDER NO.	BEARING ORDERING NO.						PARTS ORDERING NO.			A	B	C	D	*CAP lbs.	SPIN-DLE
	INNER CUP	OUTER CUP	INNER CONE	INNER BORE	OUTER CONE	OUTER BORE	DUST CAP	WHEEL BOLT	GREASE SEAL						
HUB HDA211-2	L44610	L44610	L44643	1.00	L44643	1.00	DC11	WB10	SE10	2.37	1.00	.87	1.31	1250	S210-A36
HUB HDA213-2	L44610	L44610	L44643	1.00	L44643	1.00	DC11	WB10	SE10	2.37	1.0	.87	1.25	1250	S210-A36
HUB HA411-3	LM67010	LM11910	LM67048	1.25	LM11949	.75	DC12	WB10	SE11	1.18	.93	.93	.37	1250	S411-A09
HUB HA413-6	LM67010	LM11910	LM67048	1.25	LM11949	.75	DC24	WB10	SE11	2.00	.93	1.06	.56	1500	S511-A01
HUB HA511-2	LM67010	LM11910	LM67048	1.25	LM11949	.75	DC12	WB10	SE11	2.03	1.00	.93	.63	1800	S511-A01
HUB HA517-2	LM48510	LM67010	LM48548	1.37	LM67048	1.25	DC13	WB16 WB11	SE13	1.56	1.00	1.00	.31	2760	S517-A02
HUB HA516	LM48510	LM11910	LM48548	1.37	LM11949	.75	DC12	WB10	SE14	2.03	1.00	1.09	1.00	1840	S516-A013
HUB HA519	13621	LM15250	13685	1.50	LM15118	1.189	DC15	WB16 WB11	SE13X	2.87	1.12	1.43	1.75	1680	S519
HUB HA611-9	LM29710	LM67010	LM29749	1.50	LM67048	1.25	DC13	WB10	SE13	1.56	1.00	1.06	1.62	3600	S611-A04
HUB HA613-1	LM29710	LM67010	LM29749	1.50	LM67048	1.25	DC13	WB16 WB11	SE13	2.18	1.00	.93	2.00	2930	S613
HUB HA614-1	LM603011	LM48510	LM603049	1.78	LM48548	1.37	DC15	WB12	SE16	1.75	1.37	1.37	1.62	5000	S614-A05
HUB HA615-1	LM603011	LM48510	LM603049	1.78	LM48548	1.37	DC15	WB12	SE29	1.75	1.37	1.37	1.62	5000	S614-A05
HUB HA811	25520	25821	25590	1.79	25877	1.37	DC17	WB12	SE16	2.50	1.75	1.50	.87	5050	S811
HUB HDA812-10	3720	2720	3780	2.00	2790	1.31	DC17	WB12	SE17	2.44	2.28	1.21	1.21	6100	S812-A27
HUB HA817-3	382A	LM501310	387AS	2.25	LM501349	1.62	DC26	WB46 WB18	SE42	3.75	1.62	1.37	1.68	7500	S817-A03

Note: HD211-2 & HD213-2 hub capacity based on zero offset. Maximum wheel diameter 12". HA411-3 & HA413-6 hub capacities based on .38 Negative Offset, 20,000 mile minimum bearing life at tractor speed (20MPH) and 14,000 PSI. Maximum Fiber Stress on the spindle. HA511-2, HA517-2, HA516, HA519 hub capacities based on .25 negative offset 20,000 mile minimum bearing life at tractor speed (20 mph) and 14,000 PSI. Maximum Fiber Stress on the spindle. HA611-9, HA613-1, HA614-1, HA615-1 hub capacities based on 1.12 positive offset 20,000 mile minimum bearing life at tractor speed (20mph) and 14,000 PSI. Maximum fiber stress on the spindle. HA811, HDA812-10, HA817-3 hub capacities based on 1.50 negative offset (H817 series based on 1.12 positive offset) 20,000 mile minimum bearing life at tractor speed (20mph) and 14,000 PSI. Maximum fiber stress on the spindle. Kits include parts in shaded areas only.

# CTD HUBS, WHEELS & SPINDLES

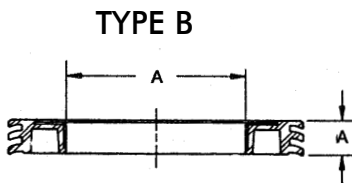
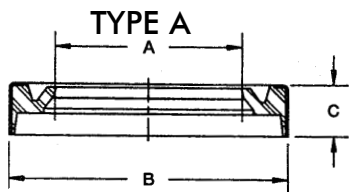
## Spindles



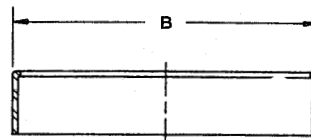
SPINDLE SERIES	A	B	C	D	E	F	N
HUB S210-A36	1.25	1.25	1.000/.998	1.000/.988	3/4-16UNF	11	4.15
HUB S411-A09	1.50	1.50	1.250/1.248	.750/.748	3/4-16UNF	12	2.93
HUB S511-A01	1.62	1.62	1.250/1.248	.750/.748	3/4-16UNF	12	3.81
HUB S516-A03	1.62	1.62	1.375/1.373	.750/.748	3/4-16UNF	10	3.87
HUB S517-A02	1.75	1.75	1.375/1.375	1.240/1.248	7/8-14UNF	12	3.65
HUB S519	2.00	1.75	1.500/1.498	1.189/1.187	7/8-14UNF	10.5	5.28
HUB S611-A04	2.00	1.75	1.500/1.498	1.250/1.248	1-14UNS	12	3.75
HUB S611-1-J-A04	1.75	1.62	1.495/1.493	1.250/1.248	1-14UNS	12.5	3.75
HUB S614-A05	2.00	2.00	1.781/1.779	1.375/1.373	1-14UNS*	12	4.09
HUB S618-A17	2.00	2.00	1.750/1.748	1.375/1.373	1-14UNS*	15	5.00
HUB S630-A01	2.00	2.00	1.625/1.623	1.250/1.248	3/4-16UNF	11	5.15
HUB S811	2.125	2.00	1.796/1.794	1.375/1.373	1-14UNS	16	5.28
HUB S8112-A27	2.75	2.50	2.000/1.998	1.312/1.310	1-14UNS	14	5.46
HUB S817-A03	3.00	3.00	2.250/2.248	1.625/1.623	1-1/4-12UNF	16	6.436
HUB S1010-A02	3.00	3.00	2.500/2.498	1.750/1.748	1-1/4-12UNF	20	6.25

## HUB ACCESSORIES

### Grease Seals



### SLEEVE\* SE33-01



\*To be used with type B seal.

SEAL NO.	TYPE	'A' ID	'B' OD	'C' WIDTH
HUB SE-10	A	1.21	1.983	.406
HUB SE-11	A	1.50	2.332	.500
HUB SE-12	A	1.62	2.332	.438
HUB SE-13	A	1.75	2.722	.359
HUB SE-13X	A	1.75	2.754	.350
HUB SE-14	A	1.62	2.566	.250
HUB SE-15	A	1.37	2.332	.410
HUB SE-16	A	2.00	3.630	.250
HUB SE-17	A	2.50	3.881	.469
HUB SE-18	A	2.13	3.881	.375
HUB SE-19	A	1.00	1.785	.469
HUB SE-22	A	1.68	2.566	.500
HUB SE-23	A	2.29	3.153	.359
HUB SE-24	A	2.094	2.722	.250
HUB SE-25	A	2.00	3.066	.375
HUB SE-26	A	2.25	3.376	.438
HUB SE-28	A	1.50	2.627	.250
HUB SE-29	A	2.00	3.153	.250
HUB SE-30	A	2.00	3.548	.469
HUB SE-31	A	2.25	3.881	.469

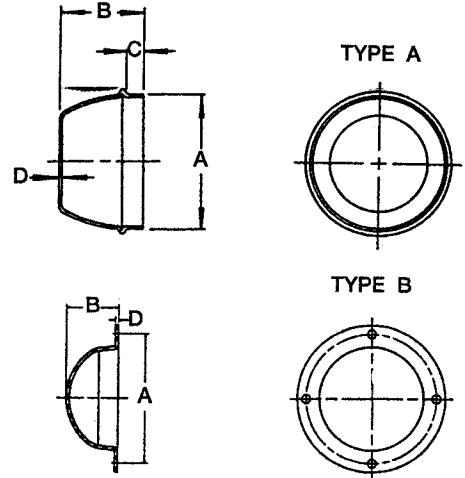
SEAL NO.	TYPE	'A' ID	'B' OD	'C' WIDTH
HUB SE-33	B	1.50	2.566	.290
HUB SE-35	A	2.50	3.756	.500
HUB SE-38	A	2.00	3.628	.500
HUB SE-39	B	1.62	2.566	.290
HUB SE-40	A	2.09	2.754	.250
HUB SE-42	A	3.00	4.008	.438
HUB SE-44	A	2.00	3.066	.500
HUB SE-46	A	1.87	3.005	.250
HUB SE-48	A	3.00	4.505	.438
HUB SE-49	**	4.25	6.000	.062
HUB SE-55	A	4.37	6.007	.500
HUB SE-59	**	4.75	6.250	.062
HUB SE-67	A	3.375	4.625	.438

\*\*Gasket

# HUB ACCESSORIES

## Dust Caps

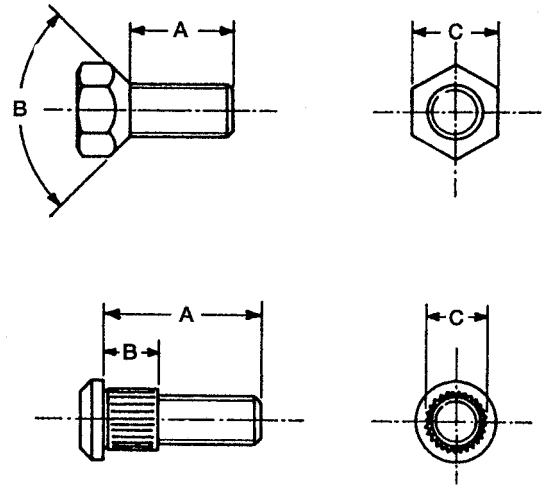
CAP NO.	TYPE	A	B	C	D
HUB DC10	A	1.790	1.00	.25	.039
HUB DC11	A	1.980	1.18	.25	.039
HUB DC12	A	1.940	1.00	.25	.039
HUB DC13	A	2.445	1.41	.37	.039
HUB DC15	A	2.721	1.45	.37	.047
HUB DC17	A	3.160	1.68	.37	.078
HUB DC24	A	1.956	.96	.34	.039
HUB DC26	A	3.120	1.68	.37	.078
HUB DC27	B	5.00	2.00	-	.125
HUB DC28	B	5.50	2.62	-	.125



## Wheel Bolts

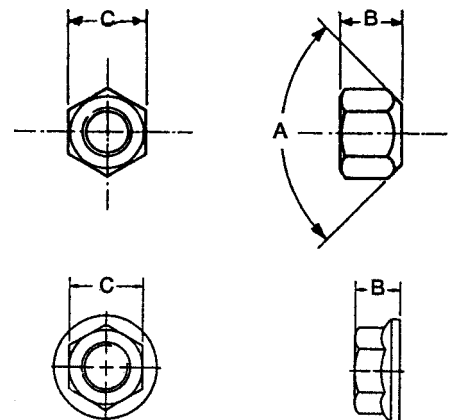
BOLT	THREADS	A	B	C
HUB WB10	1/2-20UNF	1 1/4	90°	3/4
HUB WB12	9/16-18UNF	1 1/4	90°	7/8
HUB WB17	9/16-18UNF	1 3/4	90°	7/8
HUB WB55	1/2-20UNF	1	90°	3/4

STUD BOLT	THREADS	A	B	C
HUB WB13	1/2-20UNF	1 5/8	9/16	5/8
HUB WB16	1/2-20UNF	1 7/8	9/16	5/8
HUB WB41	9/16-18UNF	2 1/4	5/8	5/8
HUB WB46	5/8-18UNF	2 1/2	9/16	11/16
HUB WB51	3/4-16UNF	2 5/8	3/4	1



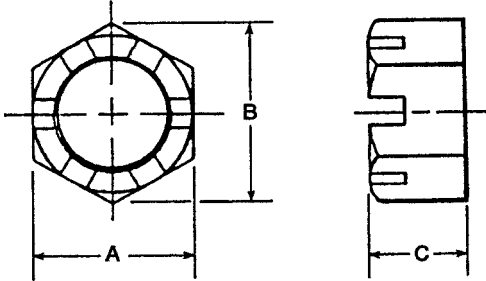
## Wheel Stud Nuts

NUT	THREADS	A	B	C
HUB WB11	1/2-20UNF	90°	5/8	13/16
HUB WB18	5/8-18UNF	90°	23/32	15/16
HUB WB40	9/16-18UNF	90°	11/16	1
HUB WB52	3/4-16UNF	Flange Nuts	5/8	1 1/8
HUB WB58	3/4-16UNF	Budd Nut	7/8	1 1/2



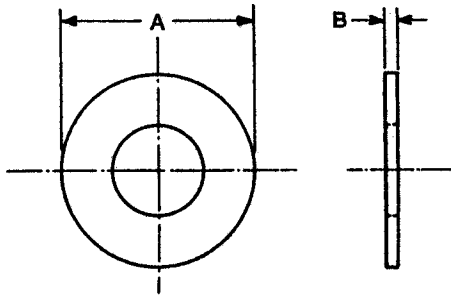
## HUB ACCESSORIES

### Spindle Nuts



NUT PART NO.	THREADS	A	B	C
HUB WB30	$\frac{3}{4}$ - 16UNF	$1 \frac{1}{8}$	$1 \frac{1}{4}$	$\frac{41}{64}$
HUB WB32	$\frac{7}{8}$ - 14UNF	$1 \frac{5}{16}$	$1 \frac{1}{2}$	$\frac{3}{4}$
HUB WB33	1 - 14UNS	$1 \frac{1}{2}$	$1 \frac{23}{32}$	$\frac{55}{64}$
HUB WB38	$1 \frac{1}{4}$ - 12UNF	$1 \frac{7}{8}$	$2 \frac{1}{8}$	$1 \frac{1}{16}$

### Spindle Washers



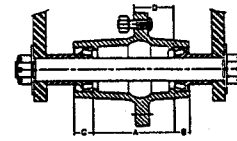
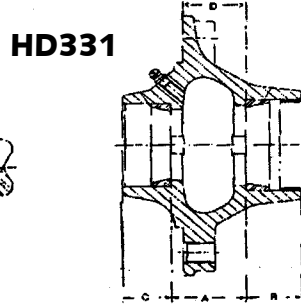
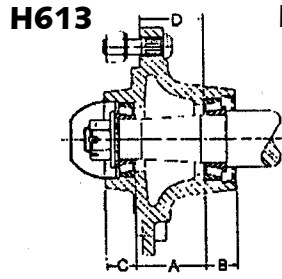
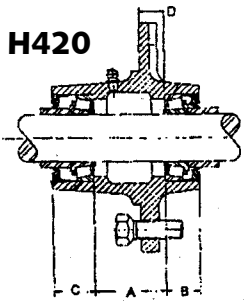
WASHER PART NO.	SIZE	A	B
HUB WA10	$\frac{3}{4}$	$1 \frac{3}{4}$	.119
HUB WA12	$\frac{7}{8}$	2	.187
HUB WA17	1	2	.187
HUB WA23	$1 \frac{1}{4}$	$2 \frac{1}{2}$	.250

### Hub Bearing & Seal Kits

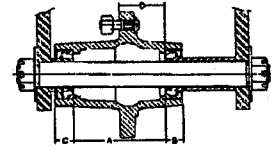
PART NO.	DESCRIPTION ON PAGE
HUB HD211-2BK	1
HUB H11-3BK	2
HUB H511-2BK	3
HUB H516BK	3
HUB H611-9BK	4
HUB H614-1BK	4
HUB H615-1BK	4
HUB H618-3BK	5



**SPECIAL HUBS**



**H520  
Straddle Hub**



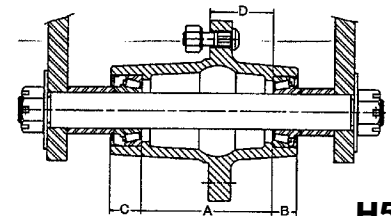
**H617-1  
Straddle Hub**

HUB ORDER NO	BEARING ORDERING NO.						PARTS ORDERING NO.			A	B	C	D	*CAP (lbs.)	SPIN-DLE
	INNER CUP	OUTER CUP	INNER CONE	INNER BORE	OUTER CONE	OUTER BORE	DUST CAP	WHEEL BOLT	GREASE SEAL						
HUB H420	LM67010	LM67010	LM67048	1.25	LM67048	1.25	N/A	WB10	SE12	2.00	0.90	1.10	0.69	1600	N/A
Hubs to fit Melroe Multiweeder (wings) and Ponycarts <b>4 BOLT, 5" BOLT CIRCLE, 3.62" PILOT</b>															
HUB H613	LM29710	LM67010	LM29749	1.50	LM67048	1.25	DC13	WB16 WB11	SE13	2.18	1.00	0.93	2.00	3600	S613-A01
Hubs to fit Melroe Multiweeder (mainframe) and plows, Spray Coupe <b>6 BOLT, 6" BOLT CIRCLE, 4.62" PILOT</b>															
HUB HD331	LM29710	LM67010	LM29749	1.50	LM67048	1.25	N/A	WB12	N/A	1.75	1.31	1.13	1.50	3600	S331
Hubs to fit all John Deere 6 Bolt Wheel Assemblies <b>6 BOLT CIRCLE, 4.62" PILOT</b>															
HUB S331 Spindle to fit above hub.										2.00	1.81	1.500/- 1.498	1.250/- 1.248	<sup>3/4</sup> - 16UNF (E)	16 (F)

Hubs include parts in shaded areas only.

**Special Hubs - Versatile Drills**

**5 BOLT, 5.50" BOLT CIRCLE, 4" PILOT**



**H520**

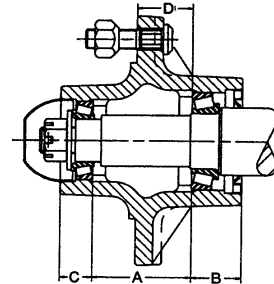
HUB ORDER NO	BEARING ORDERING NO.						PARTS ORDERING NO.			A	B	C	D	*CAP (lbs.)
	INNER CUP	OUTER CUP	INNER CONE	INNER BORE	OUTER CONE	OUTER BORE	DUST CAP	WHEEL BOLT	GREASE SEAL					
HUB H520*	14276	14276	14136A	1.37	14136A	1.37	-	WB16 WB11	SE13	5.00	1.0	1.00	2.43	5700

\*Hub available with bolts in lieu of studs. Hubs include parts in shaded areas only.

**SPECIAL HUBS**

**Special Hubs - Concord**

6 BOLT, 6" BOLT CIRCLE, 4.62" PILOT



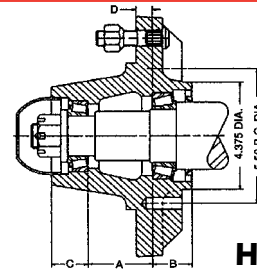
**H630-2**

HUB ORDER NO	BEARING ORDERING NO.						PARTS ORDERING NO.			A	B	C	D	*CAP (lbs.)
	INNER CUP	OUTER CUP	INNER CONE	INNER BORE	OUTER CONE	OUTER BORE	DUST CAP	WHEEL BOLT	GREASE SEAL					
HUB H630-2	LM501310	LM67010	LM501349	1.62	LM67048	1.25	DC13	WB41	SE63	2.84	1.43	.93	1.59	3500
								WB40						

Note: Hubs include parts in shaded areas only.

**Special Hubs - Bourgualt - Some Models**

8 BOLT, 8" BOLT CIRCLE, 6" PILOT



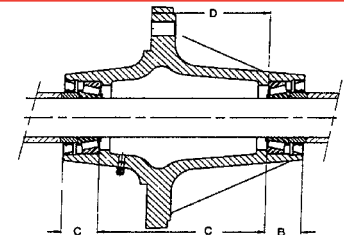
**H819-6-J**

HUB ORDER NO	BEARING ORDERING NO.						PARTS ORDERING NO.			A	B	C	D	*CAP (lbs.)
	INNER CUP	OUTER CUP	INNER CONE	INNER BORE	OUTER CONE	OUTER BORE	DUST CAP	WHEEL BOLT	GREASE SEAL					
HUB H819-6-J	JLM506810	LM501310	JLM506849	2.16	LM501349	1.62	DC26	WB46	SE58	2.56	1.50	1.37	.75	6000
								WB18						

Note: Hubs include parts in shaded areas only.

**Special Hubs - John Deere (Seed Drills)**

8 BOLT, 8" BOLT CIRCLE, 6" PILOT



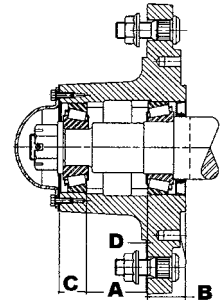
HUB ORDER NO	BEARING ORDERING NO.						PARTS ORDERING NO.			A	B	C	D	*CAP (lbs.)
	INNER CUP	OUTER CUP	INNER CONE	INNER BORE	OUTER CONE	OUTER BORE	DUST CAP	WHEEL BOLT	GREASE SEAL					
HUB HD820-3	25520	25520	25580	1.75	25580	1.75	-	WB12	SE26	7.00	1.56	1.56	5.00	7500
								WB17						

Note: Hubs include parts in shaded areas only.

**SPECIAL HUBS**

**Special Hubs - Morris, Flexicoil (Air Seeders)**

10 BOLT, 11.25" BOLT CIRCLE, 8.69" PILOT

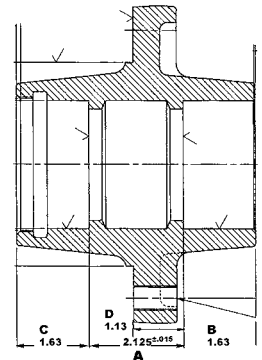


**H1010**

HUB ORDER NO	BEARING ORDERING NO.						PARTS ORDERING NO.			A	B	C	D	*CAP (lbs.)
	INNER CUP	OUTER CUP	INNER CONE	INNER BORE	OUTER CONE	OUTER BORE	DUST CAP	WHEEL BOLT	GREASE SEAL					
HUB H1010-13	39520	453A	39585	2.50	460	1.75	DC27	WB51 WB52	SE48	2.81	1.75	1.25	0.06	12,000

**Special Hubs - CCIL Chisel Plows**

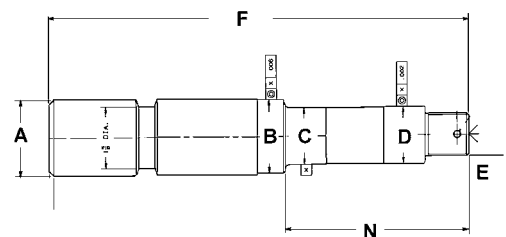
6 BOLT, 6" BOLT CIRCLE, 4.57" PILOT



HUB ORDER NO	BEARING ORDERING NO.						PARTS ORDERING NO.			A	B	C	D	SPINDLE
	INNER CUP	OUTER CUP	INNER CONE	INNER BORE	OUTER CONE	OUTER BORE	DUST CAP	WHEEL BOLT	GREASE SEAL					
SWE WP40202	2735X	2735X	2788	1.50	2788	1.50	N/A	WB12	N/A	2.125	1.63	1.63	1.13	SWE WP7922

**Special Spindle CCIL Chisel Plows**

HUB ORDER NO	A	B	C	D	E	F	N
SWE WP7922	2	1.94	1.500/1.498	1.499/1.498	1 1/8-12UNF	11 3/8	5



# COMPLETE UTILITY WHEELS

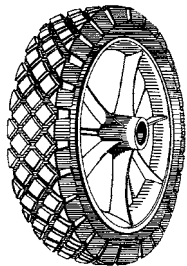
## Sawtooth Tread Utility Wheels

PART NO.	DESCRIPTION
HUB 410/350X4	4" Centered Hub Length
HUB 410/350X40H	2 1/4" Offset Hub Length 5/8" ID Bearing



SAWTOOTH TREAD							
SIZE	PLY	MTD. DIA.	MTD. WIDTH	RIM WIDTH	MAX. LOAD CAPACITY @ 10 MPH	MAX. PSI	TIRE WEIGHT TUBELESS
4.10-4	2	10.7	3.6	2.63	230	24	2.1

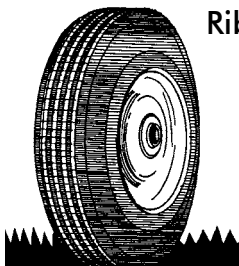
## Light Duty Wheels



Diamond Plastic

### Plastic Light Duty Wheels

PART NO.	SIZE	HUB	BORE	TREAD	EST. CAPACITY	WEIGHT
HUB 6150P-1/2	6 x 1.50	1 3/8" Off	1/2"	Diamond	50	1
HUB 7150P-1/2	7 x 1.50	1 3/8" Off	1/2"	Diamond	55	1 1/4
HUB 8175P-1/2	8 x 1.75	1 3/8" Off	1/2"	Rib	80	1 3/4
HUB 10175P-1/2	10 x 1.75	2" CNT	1/2"	Rib	80	1 3/4



Rib

### Steel Light Duty Wheels

Used on many lawn furniture, cart, wagon, light duty hand truck, barbeque grill, trash container, golf cart, rotary mower and toy applications.

PART NO.	SIZE	HUB	BORE	TREAD	EST. CAPACITY	WEIGHT
HUB 6150BB-1/2	6 x 1.50	1 3/4" CTD	1/2" BB	Rib	50	1 1/4
HUB 8175BB-1/2	8 x 1.50	2" CTD	1/2" BB	Rib	60	2 1/2
HUB 10175BB-1/2	10 x 1.75	2 1/16" CTD	1/2" BB	Rib	80	3 1/4

PART NO.	DESCRIPTION
HUB 400X8A-FF	Flat free universal tire and wheel

PART NO.	DESCRIPTION
HUB 400X8A	Low speed wheel assembly, air filled
BEI ASF107-6	Replacement bearing for HUB 400X8A

- Foam filled, never goes flat.
- Retains pneumatic-like feel, not hard as a rock.
- Standard sizing 4.80/400 x 8
- 4-ply rating
- 4" width of wheel shaft, 3/4" I.D. bearing

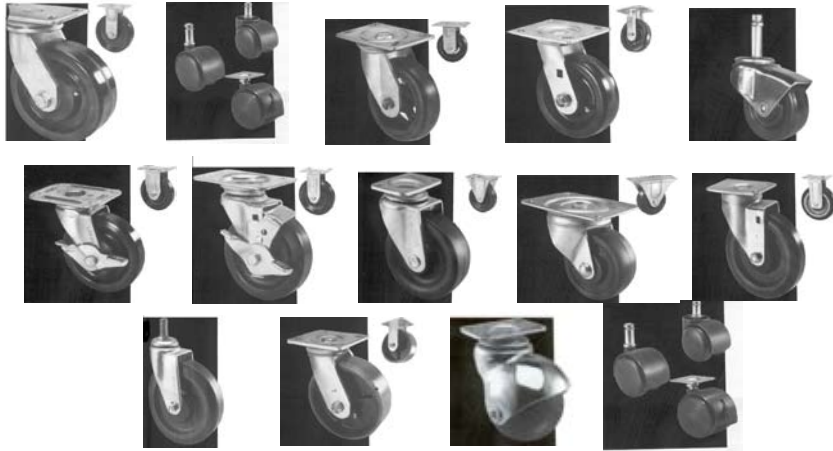


- 480/400 x 8
- 4-ply rating
- 4" width of wheel shaft, 3/4" I.D. bearing
- Multi use wheel assembly
- Sprayer booms
- Wheel barrows
- Carts
- Portable equipment





**CASTERS**



**WESTWARD PARTS STOCKS MANY DIFFERENT STYLES AND SIZES OF RIGID AND SWIVEL CASTERS PLUS MANY OTHER VARIATIONS ARE AVAILABLE**

**4000 Algood Casters**

Excellent for general to medium duty usage, hardware, factory, warehouses. Economical without sacrificing durability.



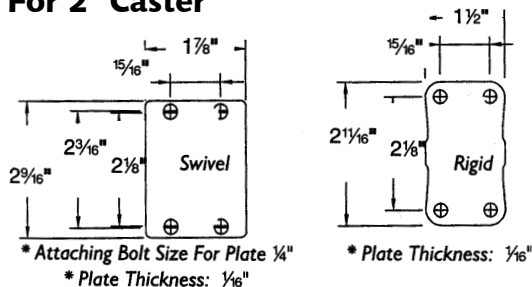
**FEATURES**

- Kingpin: 1/4", 3/8", 3/8", 3/8", 7/16" diameter rivet
- Raceway: 1/8", 3/16", 7/32", 7/32", 5/16" diameter upper race; hardened steel load bearings
- Bushing: Nylon, steel, roller and ball bearing (BB available on some applications)
- Axle & Nut: 3/16" rivet, 1/4", 5/16", 3/8" axle and lock nut
- Finish: Corrosion resistant bright zinc finish
- Special: Large single raceway deeply embossed for extra strength.

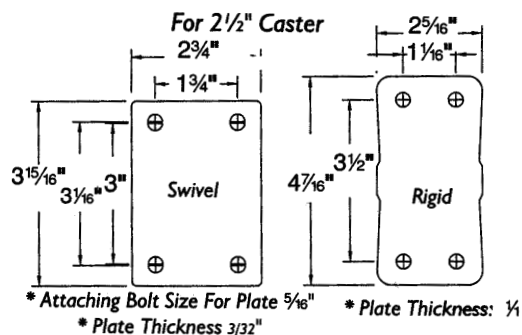
DIAMETER	WHEEL			CASTER			PART NO.	
	TREAD WIDTH	BEARING TYPE	CAPACITY lbs.	SWIVEL RADIUS	OVERALL HEIGHT	WHEEL TYPE	SWIVEL	RIGID
2"	7/8"	Nylon	80	2"	2 1/2"	Soft Rubber	HUB S4002-125-SR	HUB R4002-125-SR
2 1/2"	1 1/8"	Nylon	110	2 3/8"	3 1/4"	Soft Rubber	HUB S4025-125-SR	HUB R4025-125-SR
3"	1 1/4"	Nylon	250	2 7/8"	3 3/4"	Soft Rubber	HUB S4003-125-SR	HUB R4003-125-SR

**ALGOOD 4000 PLATE DIAGRAMS - STANDARD PLATES**

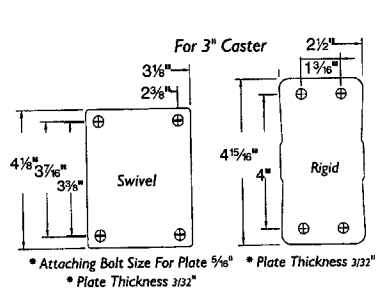
**For 2" Caster**



**For 2 1/2" Caster**



**For 3" Caster**



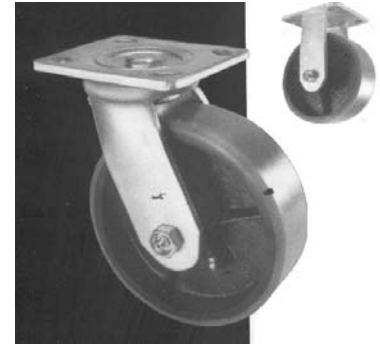
# CASTERS

## Algood 7000

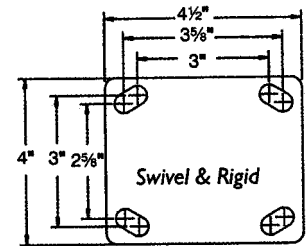
Excellent for stock carts, platform trucks, garbage bins, wire shelving units, heavy service equipment, factory use. Rugged, yet economical.

### FEATURES

- Kingpin: 5/8" diameter nut and bolt coined
- Raceway: 5/16" diameter upper race; 1/4" diameter lower race; hardened steel load bearings.
- Bushing: Roller bearings with drilled hardened steel spanner bushing and plastic side washers.
- Axle & Nut: 1/2" zerk axle and lock nut.
- Finish: Corrosion resistant bright zinc finish
- Lubrication: Grease nipple in lower race
- Hardened: Work hardened double ball race.
- Special: Machine welded. Many special stems available.
- Custom plates and bolt hole spacing available.
- Available in stainless steel.
- Leg Spacing: 2 1/2"



\* Plate Thickness: 1/4"



\* Attaching Bolt Size For Plate 3/8"

WHEEL			CASTER			PART NO.		
DIAMETER	TREAD WIDTH	BEARING TYPE	CAPACITY LBS.	SWIVEL RADIUS	OVERALL HEIGHT	WHEEL TYPE	SWIVEL	RIGID
4"	2"	Roller	800	3 9/16"	5 5/8"	Phenolic	HUB S7004-125-PH-RB	HUB R7004-125-PH-RB
5"	2"	Roller	900	4 1/4"	6 1/2"	Phenolic	HUB S7005-125-PH-RB	HUB R7005-125-PH-RB
6"	2"	Roller	900	5"	7 3/8"	Phenolic	HUB S7006-125-PH-RB	HUB R7006-125-PH-RB

# TRAILER HITCH BALLS

## Designed from the inside out...

- Grain structure forms continuous pattern through ball and shank.
- Flat area under flange provides strong, stable mounting.
- Radius recess allows hitch ball to be seated securely even though there may be burrs around the hole in the hitch.
- One piece ball and shank means the ultimate in strength.
- Accurate threads provide secure and safe fastening of the ball to the hitch.
- Bright plated finish.



### External Thread

PART NO.	DESCRIPTION	LOAD RATING	THREAD LENGTH
HAR 3301	1 7/8" x 3/4"	2000 lb.	1 1/4"
HAR 3302	2" x 3/4"	3500 lb.	1 1/2"
HAR 3303	2" x 1"	5000 lb.	2 1/8"
HAR 3304	2 5/16" x 1"	5000 lb.	2 1/8"
HAR 3305	2 5/16" x 1 1/4"	7500 lb.	2 1/8"

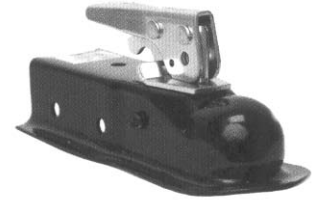
### External Thread with 2 1/2" Long Bolt

PART NO.	DESCRIPTION	LOAD RATING
HAR 3306	1 7/8" x 3/4"	2000 lb.
HAR 3307	1 7/8" x 1"	2000 lb.
HAR 3308	2" x 3/4"	5000 lb.

# TRAILER COUPLERS

## Channel Type

PART NO.	BALL SIZE	CHANNEL SIZE	CLASS	LOAD RATING
HAR 3309	1 7/8"	2"	II	2000 lb.
HAR 3310	1 7/8"	2 1/2"	II	2000 lb.
HAR 3311	2"	2 1/2"	II	3500 lb.
HAR 3312	2"	3"	II	3500 lb.



# JACKS

## TQP Agricultural Jacks

Quality imported TQP screw jacks feature:

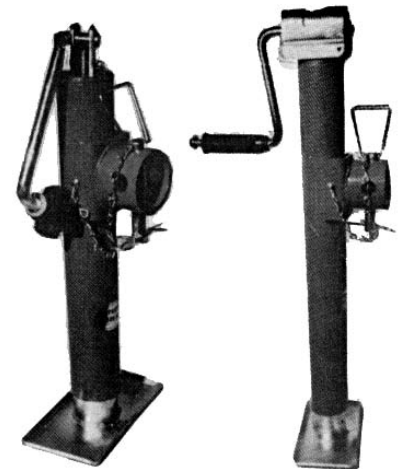
- A water seal to keep moisture out.
- A 1" acme screw (most other 2000 lb. jacks feature a 3/4" acme screw and most 5000 lb. jacks feature a 7/8" acme screw)
- The handle is attached directly to the acme screw, not another bracket.
- A larger thrust bearing than any other jack in it's class
- A thrust washer welded directly to the acme screw.

### SIDE WIND - Ring Mount

PART NO.	LIFT	LIFT RATING
JAC SLR10-SW	10"	5000 lb.
JAC SLR15-SW	15"	5000 lb.

### TOP WIND - Ring Mount

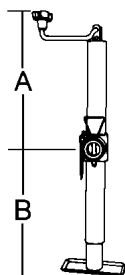
PART NO.	LIFT	LIFT RATING
JAC SLR10-TW	10"	5000 lb.
JAC SLR15-TW	15"	5000 lb.



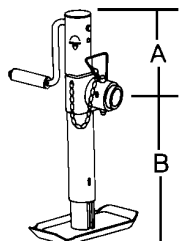
## Hammerblow Jacks

### Screw Type 5000 LB. Capacity

#### Top Wind (TWR)



#### Side Wind (SWR)



### Clearance Dimensions Fully Retracted Foot

PART NO.	CAPACITY	A	B
JAC 5010TWR	5000 lb.	7 1/4"	11
JAC 5015TWR	5000 lb.	13 1/4"	14 1/2"
JAC 5010SWR	5000 lb.	6 1/4"	10"
JAC 5015SWR	5000 lb.	6 1/4"	15"



**Tough and Trusted**

- Engineering test programs have determined the optimum tube overlap to minimize side load failures.
- Outer tube is engineered to handle both vertical and side loads with ease. Provides dependability and long life.
- Inner screw features rolled acme threads providing long lift and low handle effort.
- Nearly a half-century of proven, dependable service in the field.
- Extensive lab and field testing of inner tube guarantees an extra margin of strength and durability.
- Large load-bearing disc foot provides stability you can count on.
- Reduced handle effort achieved through use of alloy nuts and thrust bearings.
- Extensively field tested and proven on the job.
- Handle is right length for smooth cranking action - eight turn per inch of travel. Folds and locks out of the way when not in use. Hefty knob is secure & comfortable in hand.

JACKS

Hammerblow Jacks

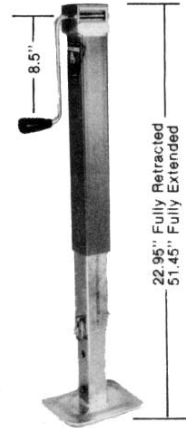
7000 lb. Sidewind  
Drop Leg 190 Series Square Tube Jack

Features:

- 15" travel
- Large 6" x 8" disc foot provides the utmost in stability
- Five holes in drop leg provide 13 1/2" of additional adjustment, saving the operator precious time.
- Ample 2 1/2" square outer tubing ensures easy mounting anywhere
- All surfaces finished to provide protection against corrosion
- Jack is welded directly to frame
- Dimensions: 22.95" fully retracted; 51.45" fully extended



Tough and Trusted



PART NO.	MODEL NO.	WEIGHT	DESCRIPTION
JAC 7015SWR-DL	SWL190DL	26 lb.	Sidewind Drop Leg Jack with std. disc foot

Hammerblow Jacks

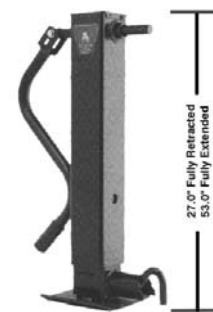
10,000 lb. Sidewind  
Spring Return Drop-leg Square Jacks

Features:

- 12,000 lb. static load capacity
- Force-reducing gear ratios allow you to crank smoothly under load with little effort
- Heat-treated gears and long-wearing bronze bushings last decades under normal use]
- All surfaces are coated for weather-resistance
- Square tubing mounts anywhere
- Long lasting non-welded bearing seat
- Sure stop protection built in
- Smooth, trouble free cast iron screw nut
- Hole in outer tube for screw and nut lubrication
- Tubing painted gray with anti-corrosive primer
- Telescoping legs formed of heavy-wall, square steel tubing
- 5 locking position reinforced against hole elongation and loss of compression strength
- Locking cam assist plunger pin



Tough and Trusted



PART NO.	MODEL NO.	WEIGHT	DESCRIPTION
JAC 10125SWR-DL	SWQ 180DL-BC-SR	61 lb.	Sidewind Drop Leg Jack with spring return, std. disc foot & crank

Bulldog A-Frame Jack

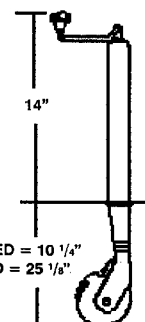
5000 lb. Topwind

PART NO.
JAC A5015TW

Model TWL 155HD Features:

- A frame mounting design
- Will accept steel caster wheel (sold separately)
- Will accept detachable disc foot (sold separately)
- Made in USA
- 15" of travel adjustments
- Ideal for recreation or stock trailers
- Weighs 13.3 lbs. without wheel or disc foot

See Section 19 For  
Parts & Accessories



RETRACTED = 10 1/4"  
EXTENDED = 25 1/8"

**JACKS**

**Heavy Duty Jacks**



**JAC 7015TW-DLIMP**



**JAC 7015SW-DLIMP**



**Tough and Trusted**



**JAC 12015SW-DLIMP**

PART NO.	DESCRIPTION	MA. WEIGHT	LIFT
JAC 7015TW-DLIMP	Jack, HD Square Tubing, with Telescoping Leg, Top Wind	7,000 lbs.	26" Lift
JAC 7015SW-DLIMP	Jack, HD Square Tubing, with Telescoping Leg, Side Wind	7,000 lbs.	26" Lift
JAC 12015SW-DLIMP	Jack, Side Wind with Telescoping Leg	12,000 lbs.	26" Lift

**INTENTIONALLY  
BLANK**