




Developed in 

Manufactured in 

Assembled in 

### Sylvac SA

Chemin du Cloalet 16  
1023 Crissier  
Web : [www.sylvac.ch](http://www.sylvac.ch)  
Tel : +41 21 637 67 57  
Email : [admin@sylvac.ch](mailto:admin@sylvac.ch)

Catalogue **Edition 10**

# Catalogue **Edition 10**

Swiss manufacturer of precision measuring instruments since 1969



EN





# Introduction

## SYLVAC CATALOGUE

Dear Customer, Dear Reader,

Welcome to the new edition of our Sylvac general catalogue. This new edition is considered necessary because of the many new items that have recently been added to our product range.

The major innovation is undoubtedly our new modern D62S display unit and its dedicated P12D probes with a range of 12.7 mm and equipped with an impressive repeatability. These digital absolute probes are equipped either with M8 connectors (for D62S) or with USB connectors for direct output on D300S V2 or PC and use our new data acquisition software, Sylcom.

But also our new SCAN F60 optical measuring machine for cylindrical components has arrived at an opportune time to meet the increasing needs of the manufacturing industries. Faster, more precise and equipped with Version 2 of the Reflex-SCAN+ software, its design will certainly captivate you.

The new catalogue also features other instruments, such as:

- The new S\_Cal EVO Proximity calipers.
- A new version of the protractor, now available with wireless Bluetooth® technology.
- Sylcom, our new data acquisition and export software with a range of modules.
- A digital thickness gauge with wireless Bluetooth® technology and HID profile.
- Two new micrometers for cable crimping and spline measurement.
- Plus many other surprises...

This catalogue showcases all of Sylvac's know-how, as illustrated by the incredible number of new innovative products which are a perfect illustration of Sylvac's dynamism. Other exciting projects are in the pipeline and will be presented to you in a future edition, highlighting our passion for innovation and our boundless imagination!

**Discover other surprises that await you in our new catalogue now!**

### Why should you choose our products?

There are many sound arguments in our favour, particularly:

- More than 40 years' expertise and experience in the area of dimensional measurement.
- Products developed and made in Switzerland with the «Swiss Made» label, representing acknowledged proof of quality throughout the world.
- Innovative, ergonomic, durable instruments designed by professional designers.
- A global presence based on a network of efficient agents who are able to provide you with local support in more than 40 countries.
- Products that meet international standards (a number of them are instruments protected in accordance with IP67).

In order to meet an increasing demand for traceability of controls, our instruments are fitted with a data output for wired or wireless connection. dial gauges with data transmission by Bluetooth® signal, developed by Sylvac mark the start of a new era in the area of quality control and confirm our position as leaders in this market.

We hope that you will enjoy looking through our catalogue and using our Sylvac instruments. Thank you for your confidence in us. We remain faithfully at your service



Sylvac SA - Chemin du Cloalet 16  
CH-1023 Crissier - Switzerland  
www.sylvac.ch - vente@sylvac.ch  
Tél. +41 21 637 67 57 - Fax +41 21 637 67 40



Sylvac SA - Rue du Lion d'Or 28  
CH-2735 Malleray - Switzerland  
www.sylvac.ch - vente@sylvac.ch  
Tél. +41 32 491 60 60 - Fax +41 32 491 60 65

Managing Director  
E. Schnyder

Sylvac SA

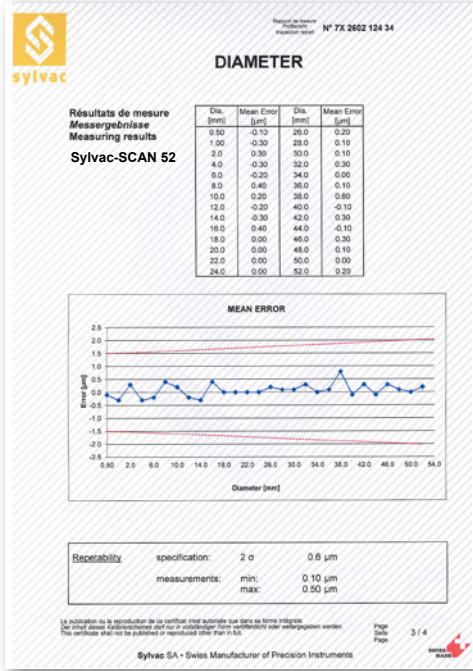
# Content



<b>A) Cables and softwares</b>	<b>7 - 26</b>	Wireless transmission, cables, accessories & softwares
<b>B) Digital indicators</b>	<b>27 - 68</b>	Test indicators S234, Mini-dial gauges S233, S_Dial PRO, S_Dial WORK, dial gauge testing stand M3 & Sylvac stands
<b>C) Calipers</b>	<b>69 - 116</b>	Calipers, micron caliper, special calipers & ultra light calipers
<b>D) Micrometers</b>	<b>117 - 130</b>	S_Mike PRO & micrometers sets
<b>E) Small &amp; mid size instruments</b>	<b>131 - 146</b>	Micrometer screw, Protractor, feeler gage, digital scales & depth gauges
<b>F) Internal measuring instruments</b>	<b>147- 160</b>	Internal measuring instruments with micrometer screw & pistol type
<b>G) Height gauges</b>	<b>161 - 174</b>	Hi_Cal, Hi_Gage ONE & Z5
<b>H) Probes and digital display units</b>	<b>175 - 234</b>	Absolute digital / Inductive / Capacitive Probes, digital display units D50S, D62S, D70S/H/I/A, D80S, D200S, D300S, D302 / 304 & MBUS
<b>I) Measuring benches</b>	<b>235 -260</b>	Measuring benches PS15, PS16, PS17
<b>J) Optical measurement</b>	<b>261 - 284</b>	Sylvac-SCAN & Sylvac-VISIO

# Certificates

## SYLVAC PRODUCTS



**SYLVAC named best SMEs in western Switzerland in 2016 !**



### 3-year guarantee :

The Sylvac brand is built on leading edge know-how in electronics, micro-electronics and micro-mechanics. Confident in the quality of its products, Sylvac offers a 3-year guarantee on its product range.

### Error max :

The total error mentioned in our technical specifications corresponds to the maximum difference between the highest and lowest deviation from the true position within the instrument's measuring range.

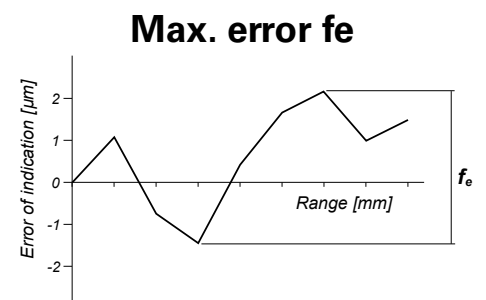
A certificate of calibration is delivered for all our instruments with a resolution of 1µm and indicates the effective maximum error of the instrument, controlled in our laboratory.

The repeatability is defined as the maximum spread of series of measurements taken at the same position by the same operator and under the same conditions.

As for now, there is no standard for digital dial indicators. The Sylvac internal standard is derived from existing standards for mechanical dial indicators.

### Web site :

Up to date information as well as updated files and software can be downloaded on [www.sylvac.ch](http://www.sylvac.ch)



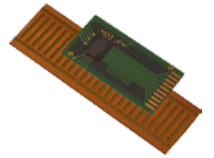
# General information

## SYLVAC PRODUCTS

### SYLVAC PRODUCTS :

The Sylvac patented inductive measuring system is insensitive to magnetic fields and liquids on the sensor or on the measuring scale. A very low consumption system keeps the zero setting even when switched "off". This system is particularly well adapted for measuring instruments such as calipers, indicators etc...

The Sylvac patented capacitive measuring system is used for the linear probe type of instruments where the sensor is integrated in the probe. As opposed to inductive half bridge and LVDT probes, the capacitive Sylvac system can be used over a large measuring range (up to 50mm) while preserving an excellent linearity (1µm/25mm) and repeatability (0.2µm).



Characterizes the instruments whose the electronic module and the measuring system are protected against liquids. The IPXX degree defines the protection rating of the instruments.



Characterizes instruments equipped with a Smart Inductive Sensor with an extremely low power sleeping mode, which keeps its origin (last zero setting) and automatically wakes up when a movement is detected.

### IP54 / IP65 / IP67

Characterizes instruments whose electronic module and measuring system are protected against liquids. The IPXX degree defines the protection rating according to IEC 60529.

**IP54** : protected against dust. Protected against water spray from all directions

**IP65** : completely sealed against dust, protected against water jets from all directions

**IP67** : completely sealed against dust, protected against temporary total immersion

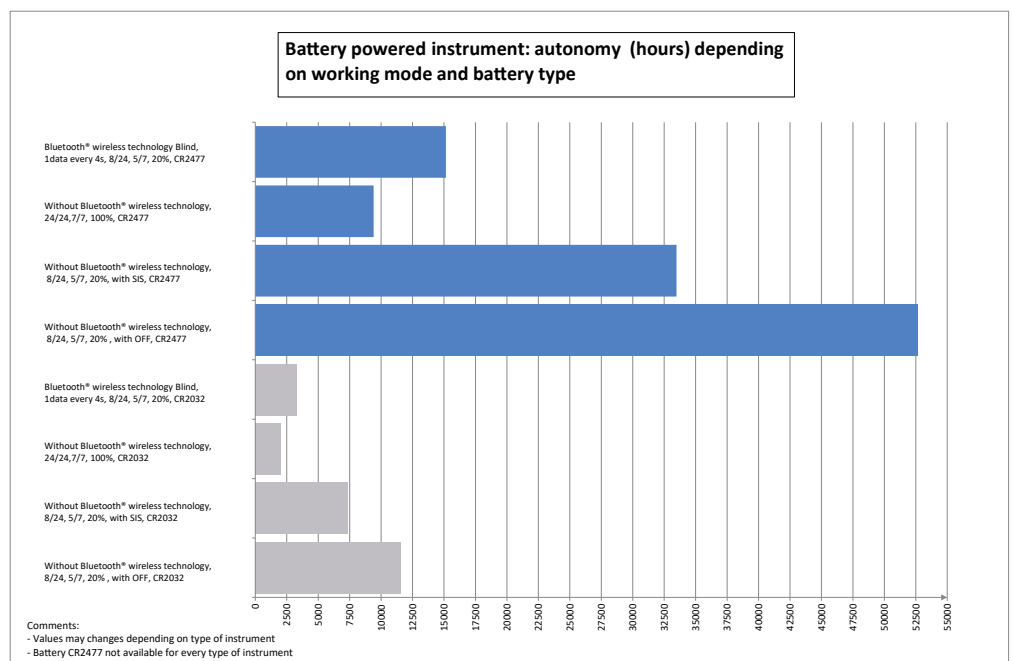
### Power and battery life

All the handtools, indicators, scales and micrometer heads are powered with a Lithium battery CR2032. If equipped with a «Power» output, the connector replaces the battery and the power is given by the PC or the display unit.

### Bluetooth® Technology

Our instruments with Bluetooth® wireless technology have a 15m scope. In terms of wave emissions, the Bluetooth® low energy has a transmission about 1mW, which corresponds of 1/100 of the Wifi and 1/40 of the GSM/3G transmission from the smartphones.

With a working distance of at least 20cm, the effect on the human body is a thousand times smaller than a mobile phone worn on the ear.



The Bluetooth® word mark and logos are registered trademarks owned by the Bluetooth SIG, Inc. and any use of such marks by Sylvac is under license. Other trademarks and trade names are those of their respective owners.



# DATA TRANSMISSION & SOFTWARE

In the modern technical world, the capability of measuring instruments is not limited to the display of measured values.

New tasks are now requested and required to meet the era of Industry 4.0 and the Internet of Things.

A wide choice of connection cables, pioneering wireless transmission technologies as well as new functionalities provide compatibility with most data management and data acquisition systems

**RS232, USB or Bluetooth® wireless technology data output**





# Data transmission and softwares

## CONNECTIONS

### What is the future for metrology?

The arrival of a new era for industrial production with the widely discussed concepts of “Industry 4.0;” «Internet Of Things” and “Smart Manufacturing” will require new tools capable of interconnectivity and interoperability. Very soon it will become compulsory for many companies to collect data produced by the different elements in the manufacturing chain.

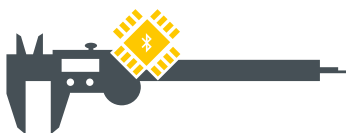
Traditional metrology will evolve towards more automation and digital (paperless) solutions which will enable increased traceability and remote monitoring of a whole set of information centralised on one server.

### Sylvac is ready for the challenge!

Sylvac had already committed to digital and to data transfer without waiting for the current excitement! In fact, several decades ago we proposed a full range of instruments to our clients for simple and reliable interconnectivity. After the cable connections (RS232 then USB) we are proud that we focused our efforts on the technological progress of the wireless transmission of values. By equipping most of our hand-held instruments with a wireless Bluetooth® transmitter integrated into the electronics, Sylvac has been a genuine pioneer in this area, demonstrated by the fact that we are currently the only company able to offer a solution with Bluetooth® Wireless technology that meets the challenges of the future – and for the price of a cable connection!

### The advantage of our instruments with Bluetooth® Wireless technology

Wireless connectivity provides greater freedom of action and more flexibility for the operator requested to execute measurements. New solutions can also be implemented for control-line components using specific instruments or positions. Here are some of the highlights:



- The solution is totally integrated into the instrument  
The wireless Bluetooth® transmitter is fixed on the electronic chart of the instrument and no further accessory is required. The Sylvac instrument with Bluetooth® Wireless technology that you receive is ready to be connected. Most of our competitors claim to offer wireless solutions, which are not really wireless solutions, or which require an external element to be acquired which is often fragile and costly! Our integrated system also has the advantage of not being sensitive to liquids or dirt.



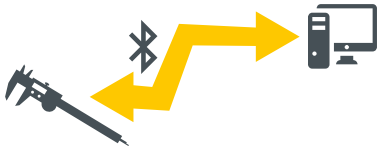
- Transmission distance  
The maximum distance between the instrument and the peripheral device receiving the values is generally between 5 and 15 meters, depending on the configuration of the premises and any potential disruptive influences. Given that a wired USB connection is limited to 7 meters, the transmission range of our instruments with Bluetooth® Wireless technology is therefore greater than wired connections most of the time!



- Autonomy  
Sylvac’s technological achievement was to offer a solution with energy-efficient Bluetooth® Wireless technology so that our instruments powered by a standard lithium battery could remain connected and used for several weeks, even several months. This was achieved thanks to our patented measurement system (Sylvac System) which only needs minimum energy. On request our agent can give you an estimate of the battery service life of your instrument taking your specific usage conditions into account.

# Data transmission and softwares

## CONNECTIONS



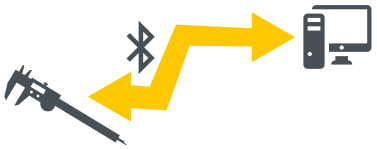
- Duplex Transmission  
 Sylvac instruments are currently the only instruments able to communicate bidirectionally by Bluetooth® Wireless technology with the peripheral to which they are connected. This means that they can both send values and information and receive and interpret them. The best example of this is the transmission from the computer of a zero reset command for the instrument. This ensures the synchronisation of the value displayed on the instrument and on the peripheral device in order to limit the risks of error.



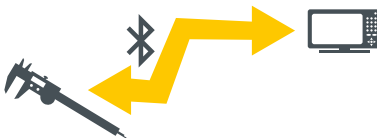
- Freedom of action at the price of a wired connection  
 One important factor to consider when selecting an instrument is of course its price! Our Sylvac instruments with Bluetooth® Wireless technology also offer, as well as the features listed above, the benefit of not costing more than a traditional wired digital instrument. Therefore they can be used everywhere as replacements for wired instruments.

### How to connect our instruments with Bluetooth® Wireless technology

Flexibility is one of the watchwords that characterise our Sylvac instruments with Bluetooth® Wireless technology. They can be connected to a computer running Windows, to our D300S and D400S display units and to a Smartphone or Apple or Android tablet. This is how to connect them:



- Connection to a computer  
 There are different requirements depending on the instrument and the Windows operating system running on your computer. The most reliable solution is to attach a Sylvac Bluetooth® dongle to your computer which can connect up to 8 instruments. The most recent instruments also have a Human Interface Device (HID) direct communication mode enabling them to connect to a computer as a peripheral keyboard and transmit the values in any software application. (Use without dongle with Windows 10 possible with Sylcom)



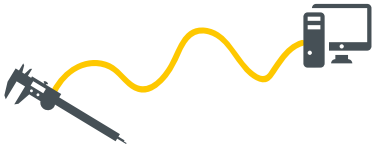
- Connection to our multi-functional display units  
 Our D300S display unit can be fitted with a Sylvac Bluetooth® dongle in order to connect up to 8 Sylvac Bluetooth® instruments. The same applies to the D400S unit to which one or several (up to 12) M-Bus BT modules can be connected enabling a multitude of Sylvac Bluetooth® instruments to be connected to it.



- Connection to a smartphone or tablet  
 Our instruments can be connected directly to a smartphone and to tablets running Android or iOS. Sylvac demonstration apps are available from the Google Store and the Apple Store. These apps demonstrate the connection of one of our instruments with Bluetooth® technology to one of these peripheral devices. As this area is evolving very rapidly, please refer to our website for the latest information.

# Data transmission and softwares

## CONNECTIONS



- Wired Connections

Despite all the benefits described above, it could be that Bluetooth® Wireless technology is not the most appropriate solution for a specific application. We are of course able to provide a connection cable fitted either with an RS232 or USB connector for every Sylvac instrument with a data output. Our standard cables are 2 or 3 meters in length depending on the models. On request they can be delivered in special lengths of up to 15 metres for RS232 cables and up to 5 metres for USB cables.

### Use of a digital test indicator without its battery

In some cases, as for example when a digital test indicator is installed in a location that is difficult to access, or if it is fitted on a non-stop operating machine, it may be advisable to replace the battery of the instrument with a special cable (Power) which will ensure both its power supply and the data transfer. Most of our digital test indicators offer this option and they are identified by the Power logo.



Please refer to the chapter on cables for details on the different cables available.

Other digital test indicators, intended for connection to programmable logic controllers (PLC) also operate without a battery and their power supply is provided by the controller



# Data transmission and softwares

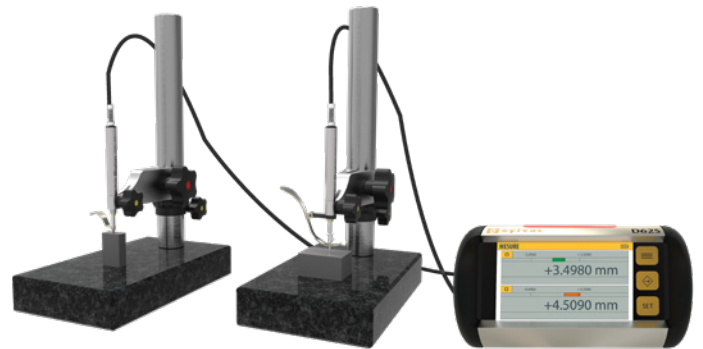
## CONNECTIONS



Connection Proximity



Connection RS-485



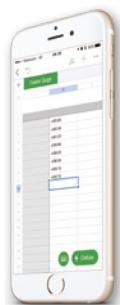
Connection M8



Bluetooth® Wireless technology with dongle



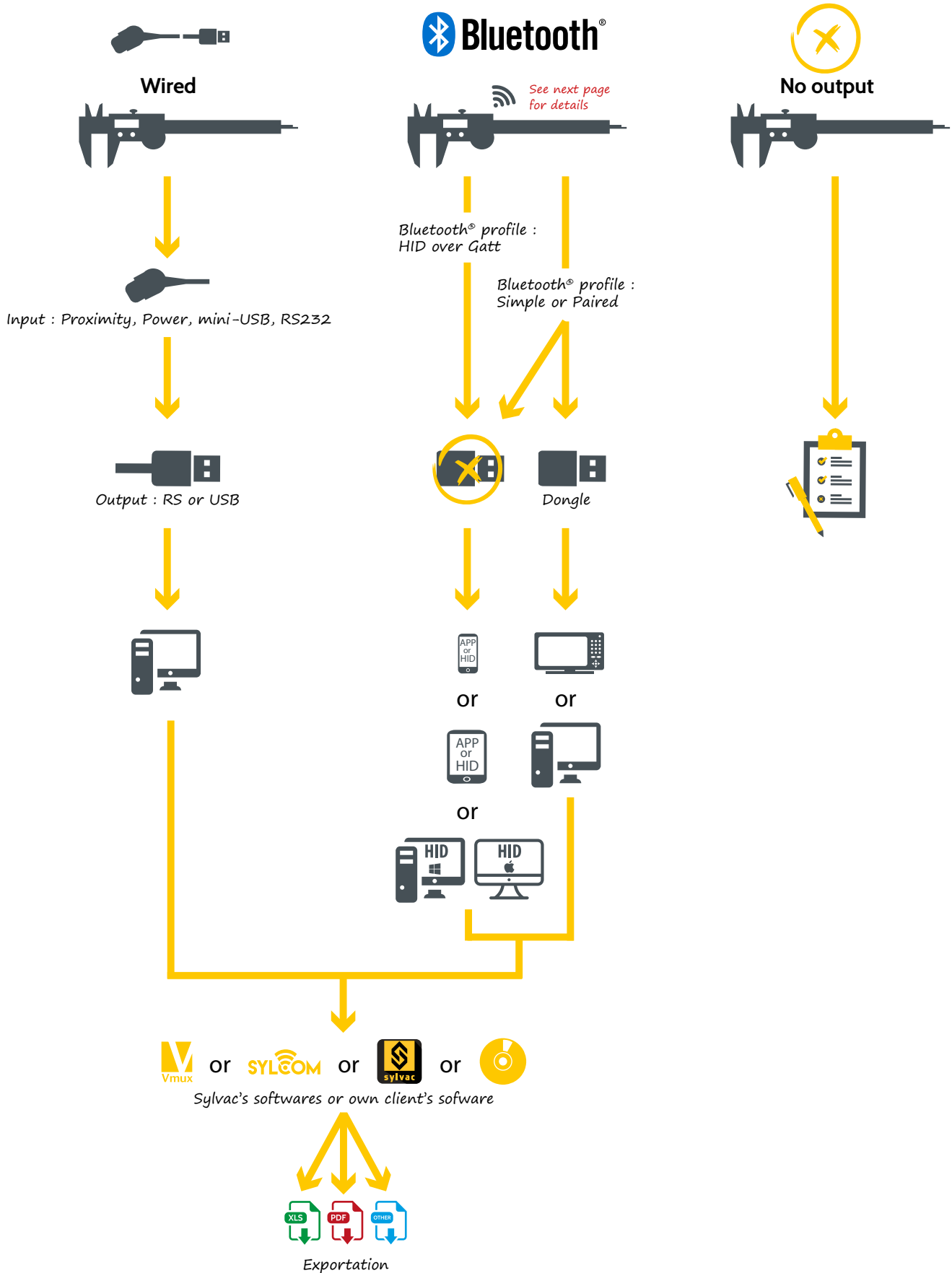
Bluetooth® Wireless technology and USB



Bluetooth® Wireless technology via HID

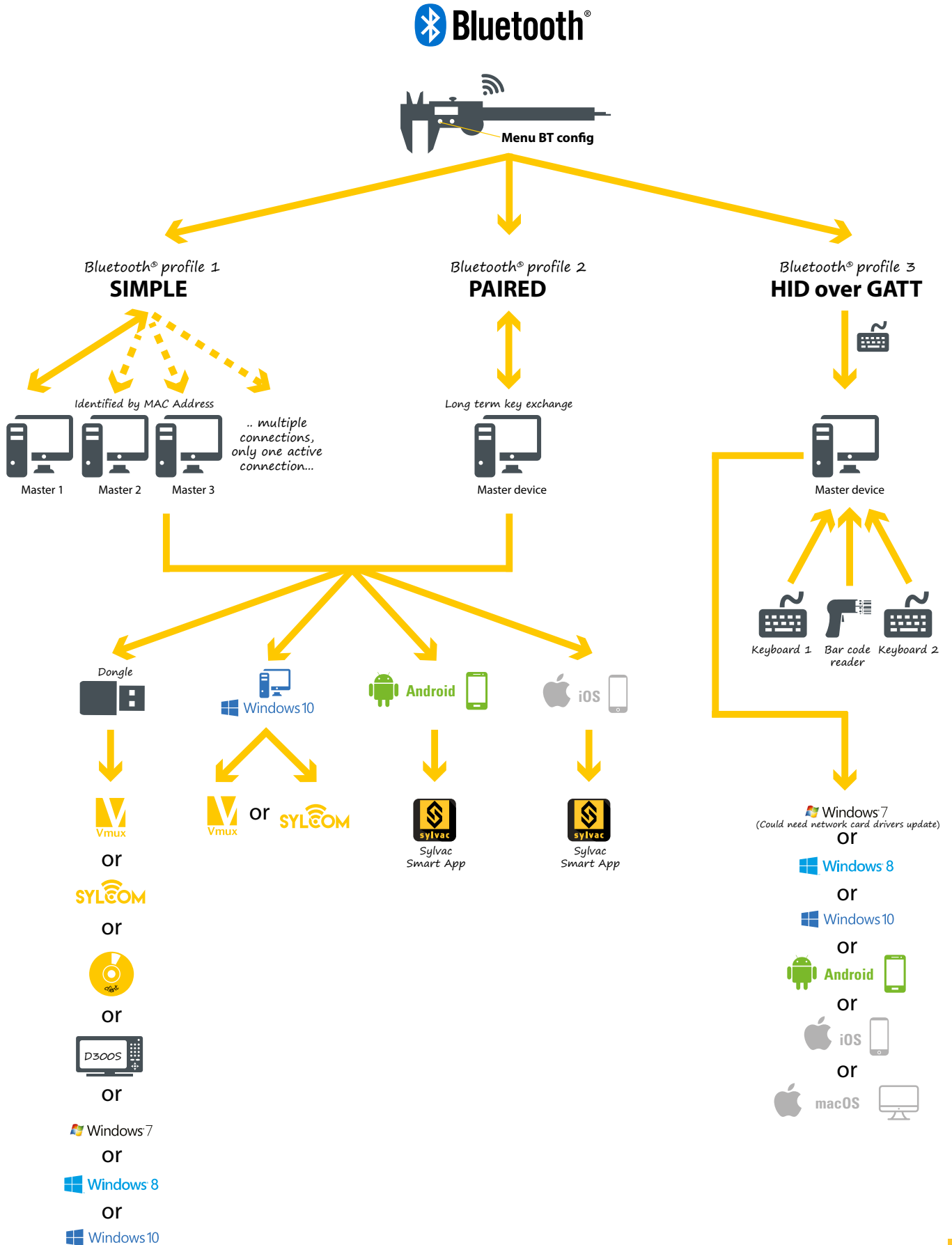
# Data transmission and softwares

## CONNECTIONS POSSIBILITIES



# Data transmission and softwares

## WIRELESS CONNECTION PROFILES



# Sylvac softwares

## DATA TRANSFER

### SYLCOM

Sylcom is the latest software product to be launched by Sylvac and has been designed to process information from instruments connected via Bluetooth® Wireless technology or via a USB cable. It creates an almost limitless number of display channels spread over one or several pages. Several display modes are available so that the status of the variable measured (GO/NG) can be visualised instantaneously. Sylcom can also be used to measure components sequentially, to collect all values simultaneously and to define a time interval in order to save values automatically. The data can be saved in Sylcom and then exported to an Excel file.

The concept is to offer a modular software application based on the specific functionalities required.

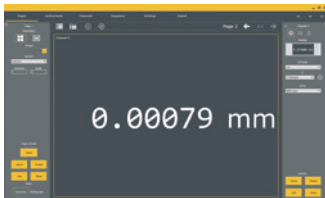


Free Sylcom LITE version on [www.sylvac.ch](http://www.sylvac.ch)

A free version **Sylcom Lite**, limited to one connection can be downloaded free of charge from our website. The full version of **Sylcom Standard** with the capacity to connect up to 16 instruments and the **Sylcom Advanced** version with the capacity to connect up to 250 instruments (max. 40 instruments with Bluetooth® Wireless technology with advanced functions and connections to M-Bus modules) can be purchased online from our website or from the Sylvac distributor in your country. Further modules will be available in the future to expand the possible uses of Sylcom.

[Your metrology partner for the new challenges ahead!](#)

We hope that all the in-formation described above has convinced you that Sylvac is not only a manufacturer of innovative and high-quality measuring instruments but also the partner you need to help your quality control evolve towards the new industrial model that awaits us.



Channel display



Multi-channel display with colour-coded tolerances



Multi-channel analogue display

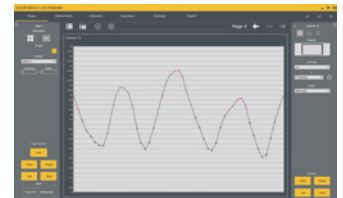


Chart display

#### Softwares SYLCOM

	Order number
Sylcom LITE	<b>FREE</b>
Sylcom Standard (Dongle licence)	981.7132
Sylcom Standard (Digital licence)	981.7129
Sylcom Advanced (Dongle licence)	981.7133
Upgrade Sylconnect to Sylcom*	981.7139

#### Accessories

	Order number
Dongle Smart	981.7100
USB pedal	926.7020
USB pedal robust	926.7021
Footpedal Smart	926.7022

\* contact us to get the procedure for the update

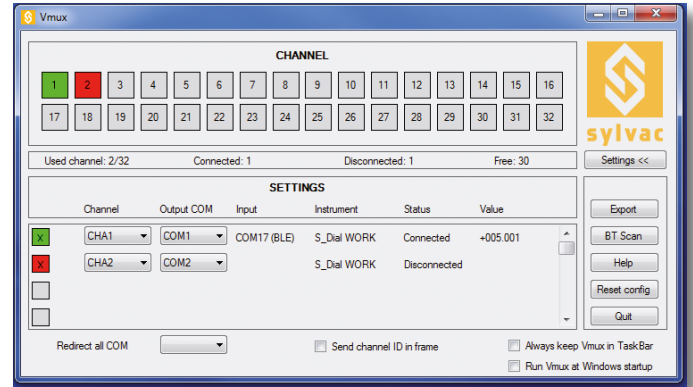
# Applications

## DATA TRANSFER

### Vmux

This software may be considered as a virtual interface which assigns a COM port to instruments connected by wireless Bluetooth® transmission or by USB cable and then redirects the values from these instruments to any Windows software (SPC or other).

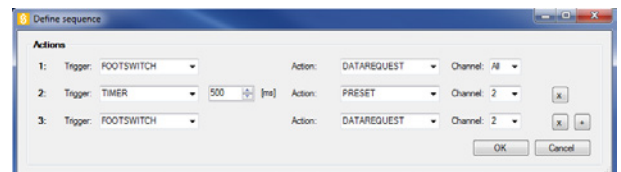
For the simplest applications Vmux simply exports the values into a selectable Excel file. Extremely user-friendly, Vmux is an excellent replacement for the multiplexer boxes used in the past.



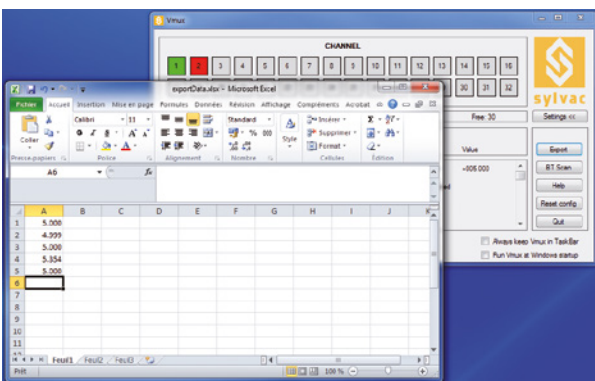
A free version Vmux Lite, limited to one connection can be downloaded free of charge from our website. The full version of Vmux with the capacity to connect up to 32 instruments (max. 16 instruments with wireless Bluetooth® transmission) can be ordered from the Sylvac distributor in your country.



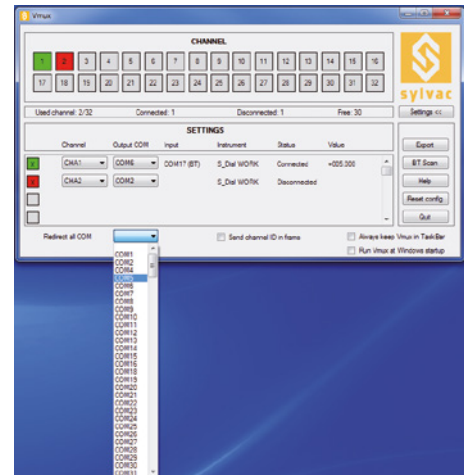
Basic display



Defining a sequence



Exporting data in Excel®



Port COM changing



### Softwares Vmux

#### Order number

Vmux LITE

**FREE**

Vmux

981.7161

Try the free version Vmux LITE available on our website [www.sylvac.ch](http://www.sylvac.ch)

### Accessories

#### Order number

Dongle Smart

981.7100

USB pedal

926.7020

USB pedal robust

926.7021

Footpedal Smart

926.7022



# A Applications

## DATA TRANSFER

### Sylvac Smart App Android & Apple

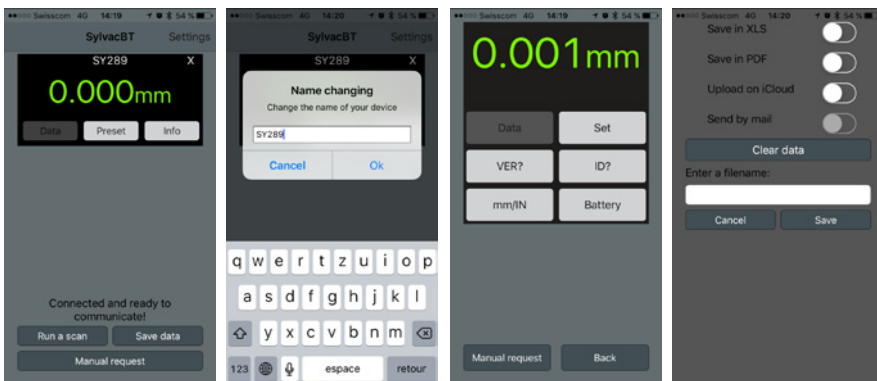
Enables the display of data from instruments with *Bluetooth®* wireless technology on touchpads and smart-phones Android from 4.3 version and Apple from IOS7, equipped with *Bluetooth®* wireless technology.

Ability to save data on the touchpad or smartphone into a PDF or Excel and export the data in Google Drive or iCloud.

Available for free on the Google Play Store and the App Store.



**Usable only with Sylvac instruments with Bluetooth® technology in "simple" profile.**



**No dongle required !**



# Various softwares

## OVERVIEW OF SOFTWARE AND FUNCTIONS

	SYLCOM					VMUX	
	LITE	Standard	Advanced Package	PRO Package	Upgrade from Sylconnect	LITE	Standard
		981.7132/29	981.7133	981.7134	981.7139		981.7161
<b>NUMBER OF INSTRUMENTS</b>							
Max. 1	●					●	
Max. 16		●		●	●		
Max. 32							● <sup>1)</sup>
Up to 128			● <sup>2)</sup>				
<b>PLATFORMS</b>							
Windows 7	●	●	●	●	●	●	●
Windows 8.1	●	●	●	●	●	●	●
Windows 10	●	●	●	●	●	●	●
Dongle required for instruments Smart	(●)	(●)	(●)	(●)	(●)	●	●
<b>FUNCTIONS</b>							
Export to ASCII	●	●	●	●	●		
Export to Microsoft Excel®		●	●	●	●		
Immediate export to external program	●	●	●	●	●	●	●
Communication gateway (virtual COM port)						●	●
Display value	●	●	●	●	●	●	●
Display tolerances	●	●	●	●	●		
Analogue display	●	●	●	●	●		
Chart display	●	●	●	●	●		
Multi-channel		●	●	●	●		●
Flatness and advanced formulas			●				
Inspection plan				●			
Statistics				●			
Action sequences		●	●	●	●		
User management	●	●	●	●	●		
Work menu (controlling instrument menus)	●	●	●	●	●		

<sup>1)</sup> Max. 32 USB or 16 USB and 16 instruments with Bluetooth® Wireless technology

<sup>2)</sup> via Mbus (depends on hardware), max. 40 instruments with Bluetooth® Wireless technology (5 dongles)

# Wireless transmission

# Dongle Smart

## DESCRIPTION

- Possibility to connect up to 8 instruments
- Duplex data transmission
- Easy programming
- Individual identification of each instrument with *Bluetooth®* wireless technology
- Confirmation of transmission



## TECHNICAL SPECIFICATIONS

		981.7100
USB		•
Coupled instruments per module		8
Automatic detection of instrument		•
Instruments and software compatibility		D300S & SylConnect & Vmux
Transmission distance <sup>1)</sup>	m	15

<sup>1)</sup> 1 module per instrument is required when used with SylConnect (up to 8 modules)

# Wireless transmission

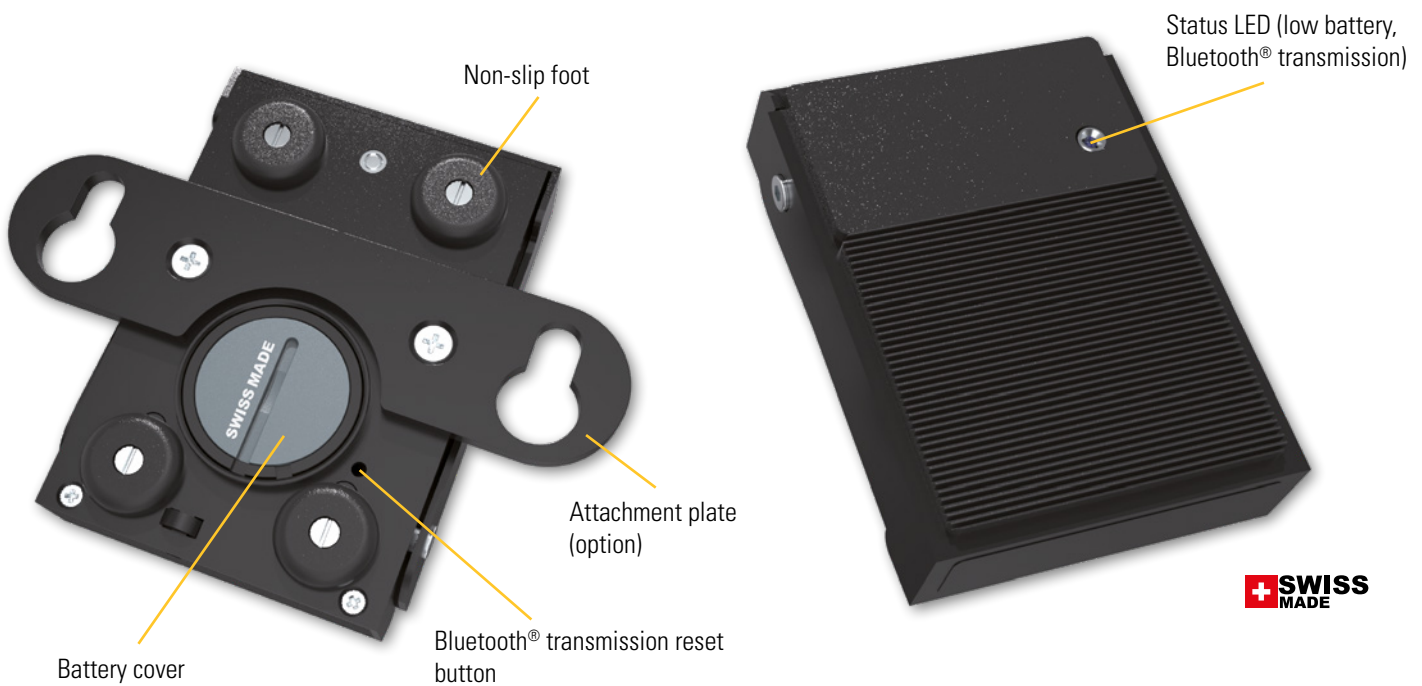
# S\_Footswitch Smart

A

## DESCRIPTION

## FOOTPEDAL SMART

- Robust footpedal with Bluetooth® wireless technology
- IP rating IP53
- Battery life : 3 years (Battery CR2477)
- Possibility of triggering sequences from the software Vmux



Dongle with Bluetooth® Wireless technology 981.7100



## TECHNICAL SPECIFICATIONS

<b>S_Footswitch Smart</b>		<b>926.7022</b>
Connection		Bluetooth® wireless technology*
Weight	g	260
Software compatibility		Vmux (1.37 and later)
Transmission distance <sup>1)</sup>	m	up to 15m

<sup>1)</sup> depends on the environment

\* Connection with dongle #981.7100

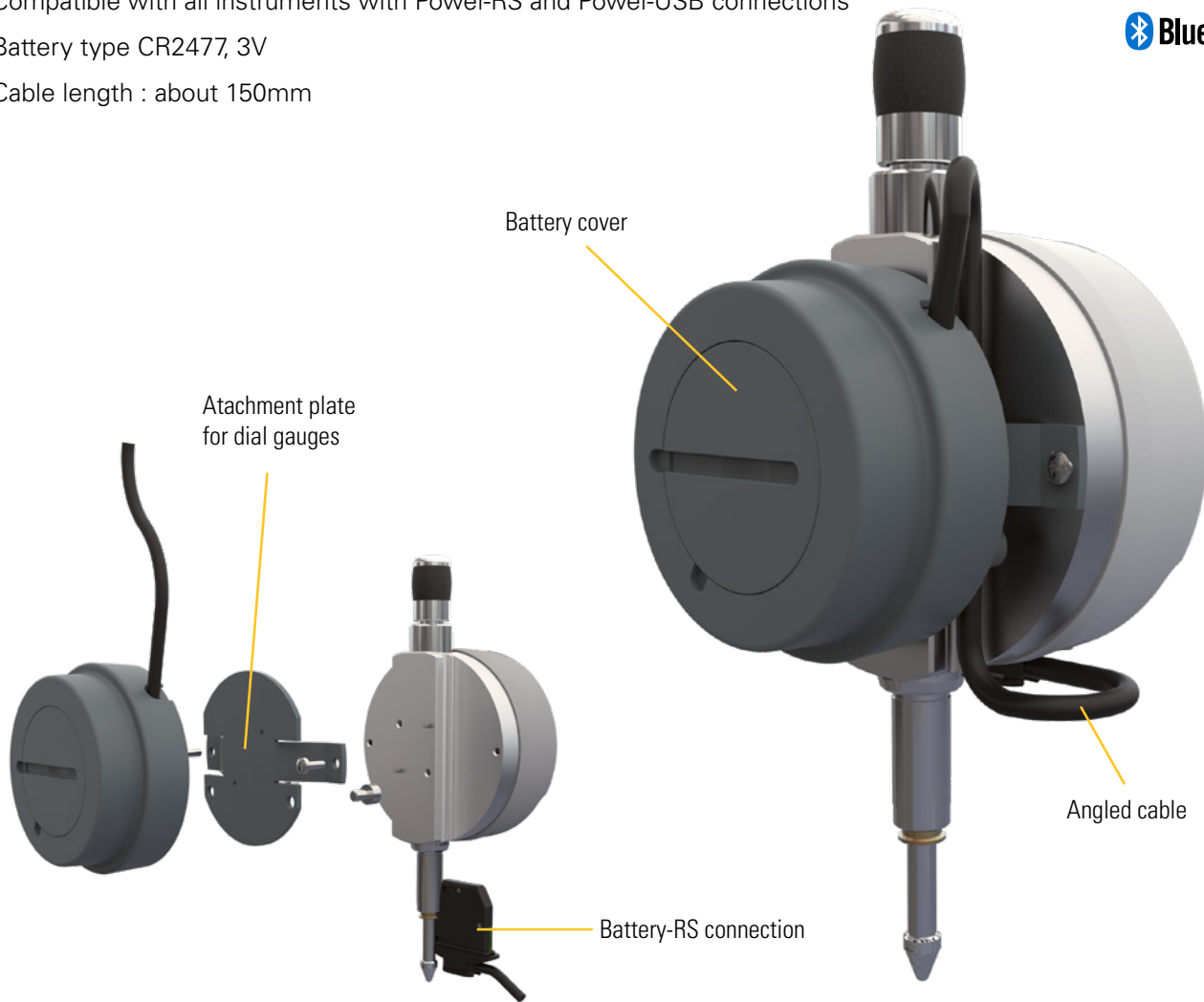
<b>Accessories</b>		<b>926.7023</b>	<b>985.2217</b>
Description		Fixing plate	Adapter for battery CR2032
Weight	g	85	5

# Wireless transmission

# Battery Pack

## DESCRIPTION

- External power-supply for instruments with Bluetooth® wireless technology
- Compatible with all instruments with Power-RS and Power-USB connections
- Battery type CR2477, 3V
- Cable length : about 150mm



## TECHNICAL SPECIFICATIONS

<b>Battery Pack</b>		<b>926.7024</b>
Connections		Power-RS / Battery-RS
Weight	g	71.6 (91.4g with attachment plate)
Capacity max.	mAh	1000
Clamping		compatible with dial gauges Ø60mm
Cable length	mm	150

<b>Accessories</b>		<b>985.2217</b>
Description		Adapter for battery CR2032
Weight	g	5

# Other

## OTHER ACCESSORIES

### Order number and compatibilities



<b>Battery CR2032</b>	<b>985.2215</b> Calipers S_Cal, ultra-light calipers ULX4 <sup>1)</sup> , dial gauges S_Dial (except PLC), micrometers, bore gauges, digital scale S_Scale digital micrometer screws, Feeler Gage, depth gauges S_Depth, Protractor, Hi_Gage, footpedal Smart <sup>1)</sup> and benches table PS16 V2 <sup>1)</sup>
<b>Battery CR2477</b>	<b>985.2216</b> Ultra-light calipers ULX4. benches table PS16 V2, footpedal Smart, Battery Pack

<sup>1)</sup> With adapter










## A Cables

### CONNECTION

Our cables are available in various lengths indicated below.

On request, we can deliver our special length cables, within the following limits:

- RS232 cables: maximum length 15 meters
- USB cable: maximum length 7 meters.

	Standard 2 m	Standard 3 m	Standard 5 m	≤15 m	Bi-directional	Programmable by PC
	926.5521	--	--	926.5535		
	926.6521	--	--	926.6535	●	
	926.6538	--	--	926.6542	●	
	926.6539	--	--	926.6543	●	
	926.6621	--	--	1)	●	
	--	905.4516	--	905.4519	●	
	--	905.4538	--	1)	●	
	--	926.6821	--	1)	●	
	--	926.6838	--	1)	●	
	--	--	926.6101	--	--	--

<sup>1)</sup> Maximum 7m (Standard 5m)

# Cables

# S\_Connect












A

## CONNECTION

S_Cal Pro / S_Mike Pro	S_Cal Work, Ultra UL 3	S_Depth PRO S_Scale WORK	Protractor	S_Dial S233 / S234	S_Dial ONE / S_Dial WORK S_Dial PRO / Hi_Gage ONE	Xtreme 2	Digital microscrew	Hi_Cal	PS16 V1 VS	S_View D50S / D80S PC output	S_View D200S	D300S instr. input	D300S output PC	D302 / D304	D400S	D70S/H/I	S_Dial WORK PLC
	•								•			•					
	•								•			•					
	•								•			•					
	•								•			•					
	•								•			•					
		•	•	•	•	•	•					•					
		•	•	•	•	•	•					•					
		•	•	•	•	•	•					•					
		•	•	•	•	•	•					•					
																	•



## CONNECTION

	Standard 2 m	Standard 3 m	≤15 m	Bi-directional	Programmable by PC
	--	926.6723	<sup>1)</sup>	●	
	--	926.6721	<sup>1)</sup>	●	
	--	925.5609	<sup>1)</sup>	●	
	--	804.1210	--	●	
	--	926.6001	--	●	
	925.1142*	--	--	●	
	--	925.1143 <sup>2)</sup>	--	●	
	--	926.5505	--	●	
	--	804.2201	--	●	
	--	804.2204	--	●	
	--	804.2205	--		

<sup>1)</sup> Maximum 7m (Standard 5m)

<sup>2)</sup> must be connected with bi-directional cables only

\* The D70 and D400S do not work on Vmux with this adapter

# Cables

# S\_Connect

A

## CONNECTION

S_Cal Pro / S_Mike Pro	UL	S_Depth PRO / S_Scale WORK	Mesureur d'angles	S_Dial S233 / S234	S_Dial ONE / S_Dial WORK Hi_Gage ONE	PS16 V2	Digital microscrew	Hi_Cal	PS16 V1 VS	S_View D50S / D80S PC output	S_View D200S	D300S instr. input	D300S output PC	D302 / D304	D400S	D70 H/I	D70 S	D70 A	D62S	Xtreme 3 / UL4	M-Bus (except RS)	Z5
•			•		•	•						•								•		
•			•		•	•						•									•	
								•		•	•	• <sup>6)</sup>		•	• <sup>4)</sup>		•		•		•	
											•		•		•							
						•		•						•					•			•
3)	3)	3)	3)	3)	3)		3)	3)	3)	•	•				• <sup>5)</sup>	• <sup>5)</sup>	• <sup>5)</sup>	• <sup>5)</sup>	•	3)		
3)	3)	3)	3)	3)	3)		3)		3)											3)		
																						•
																• <sup>7)</sup>		• <sup>7)</sup>				
																• <sup>8)</sup>		• <sup>8)</sup>				
																		• <sup>9)</sup>				

<sup>3)</sup> must be connected with RS232 cables

<sup>4)</sup> For MB-XX module and RS232 PC connections

<sup>5)</sup> RS232 connection to PC (D70S version and D400S only) bidirectional.  
Versions D70I/H require a crossover RS232 cable.

<sup>6)</sup> Not working on PC

<sup>7)</sup> Update of the units

<sup>8)</sup> Crossover cable for PC connection

<sup>9)</sup> Connection cable for MB-I/O



# DIGITAL INDICATORS S\_DIAL

A pioneer of the 100% digital indicator, Sylvac probably offers the widest range of digital indicators in the market with unrivalled precision measurement.

The SYLVAC electronic indicator program covers the entire range of mechanical indicators with resolutions 0.1 to 0.0001mm and measuring range up to 150mm, and with much better accuracy.

**Sylvac inductive measuring system (patented)**

**Wireless Bluetooth® transmission available**

**Power supply: Lithium battery 3V, Type CR 2032**

**Operational temperature: +5 to +40°C**

**mm/inch conversion**



## SUMMARY OF ALL TYPES

	S_Dial WORK																											
	S233				S234		BASIC				ANALOG		ADVANCED IP67		PLC													
	905.4121	905.4125	905.4140	905.4521	905.4525	905.4540	905.4511	905.4515	905.4527	905.4321	905.4322	805.1201	805.1301	805.1401	805.1501	805.1601	805.1621	805.5307	805.5507	805.5305	805.5505	805.5625	805.7301	805.7201	805.7501	805.7401		
<b>RANGE</b>																												
0.5 mm											•																	
0.8 mm										•																		
5 mm			•			•	•	•																				
12.5 mm	•	•		•	•				•			•	•					•			•			•	•			
25 mm														•	•				•		•				•	•		
50 mm																•	•					•						
100 mm																												
150 mm																												
<b>RESOLUTION</b>																												
0.01 mm	•	•	•									•		•		•									•		•	
0.001 mm				•	•	•	•	•	•	•	•		•	•	•	•	•	•	•	•	•	•	•	•	•	•	•	
<b>MECHANIC</b>																												
Diameter 8 mm h6	•	•	•	•	•	•	•	•	•			•	•	•	•	•	•	•	•	•	•	•	•	•	•	•	•	
Diameter 25mm g7																												
Dove tail	•	•	•	•	•	•	•	•	•	•	•																	
M1.4 contact point										•	•																	
M2.5 contact point	•	•	•	•	•	•	•	•	•			•	•	•	•	•	•	•	•	•	•	•	•	•	•	•	•	
Rubber boot		•			•			•													•	•	•					
IP51 (IEC 60529)												•	•	•	•	•	•	•										
IP54 (IEC 60529)																			•	•					•		•	
IP65 (IEC 60529)	•	•	•	•	•	•	•	•	•	•	•																	
IP67 (IEC 60529)																					•	•	•	•		•		
<b>DIAL</b>																												
Diameter 44 mm	•	•	•	•	•	•	•	•	•	•	•																	
Diameter 60 mm												•	•	•	•	•	•	•	•	•	•	•	•	•	•	•	•	
Rotating										•	•									•	•	•	•	•	•	•	•	
Vertical display			•			•																						
<b>FUNCTIONS</b>																												
mm/inch	•	•	•	•	•	•	•	•	•	•	•	•	•	•	•	•	•	•	•	•	•	•	•	•	•	•	•	
Preset	•	•	•	•	•	•	•	•	•			• <sup>1)</sup>	• <sup>1)</sup>	• <sup>1)</sup>	• <sup>1)</sup>	• <sup>1)</sup>	• <sup>1)</sup>	•	•	•	•	•	•	•	•	•	•	
Preset onMin/Max																			•	•								
Measuring direction	•	•	•	•	•	•	•	•	•										•	•	•	•	•	•	•	•	•	
Hold	•	•	•	•	•	•			•										•	•	•	•	•	•	•	•	•	
Min / Max / Delta							•	•		•	•								•	•	•	•	•	•	•	•	•	
Tolerances																			•	•	•	•	•	•	•	•	•	
Absolute function (ABS)	•	•	•	•	•	•			•																			
Absolute system S.I.S*												•	•	•	•	•	•	•	•	•	•	•	•	•	•	•	•	
Auto off	•	•	•	•	•	•	•	•	•	•	•	•	•	•	•	•	•	•	•	•	•	•	•	•	•	•	•	
Analog display							•	•		•	•								•	•								
Setting by PC				•	•		•	•	•	•	•	•	•	•	•	•	•	•	•	•	•	•	•	•	•	•	•	
Programmable menus												•	•	•	•	•	•	•	•	•	•	•	•	•	•	•	•	
Powered by connector	•	•	•	•	•	•	•	•	•	•	•	•	•	•	•	•	•	•	•	•	•	•	•	•	•	•	•	
Multiplication factor									•										•	•	•	•	•	•	•	•	•	
Ref I / II																					•	•	•	•	•	•	•	

B

# Digital indicators

# S\_Dial

## SUMMARY OF ALL TYPES

	S_Dial WORK										NANO & NANO SMART				ANALOG NANO SMART		S_Dial PRO											
	ADVANCED						Smart				SMART						BASIC											
	805.5201	805.5301	805.5401	805.5501	805.5601	805.5621	805.5641	805.5661	805.5671	805.5681	805.6301	805.6501	805.6621	805.6661	805.5306	805.5506	805.6306	805.6506	805.6307	805.6507	805.8601	805.8701	805.8602	805.8702	805.8501	805.8502	805.8661	
<b>RANGE</b>																												
0.5 mm																												
0.8 mm																												
5 mm																												
12.5 mm	•	•									•				•		•		•									
25 mm			•	•							•				•		•		•						•	•		
50 mm					•	•						•								•		•	•	•				
100 mm							•	•						•													•	
150 mm									•	•																		•
<b>RESOLUTION</b>																												
0.01 mm	•	•			•		•		•																			
0.001 mm		•		•		•		•		•		•	•	•														
0.0001 mm															•	•	•	•	•	•	•	•	•	•	•	•	•	•
<b>MECHANIC</b>																												
Diameter 8 mm h6	•	•	•	•	•	•	•	•	•	•	•	•	•	•	•	•	•	•	•	•	•	•		•	•	•	•	•
Diameter 25 mm g7																							•		•			
Spring	•	•	•	•	•	•	•	•	•	•	•	•	•	•	•	•	•	•	•	•	•	•			•	•	•	•
M1.4 contact point																												
M2.5 contact point	•	•	•	•	•	•	•	•	•	•	•	•	•	•	•	•	•	•	•	•	•	•	•	•	•	•	•	•
Rubber boot																												
IP51 (IEC 60529)																						•	•	•	•	•	•	•
IP54 (IEC 60529)	•	•	•	•	•	•	•	•	•	•	•	•	•	•	•	•	•	•	•	•	•							
<b>DIAL</b>																												
Diameter 44 mm																												
Diameter 60 mm	•	•	•	•	•	•	•	•	•	•	•	•	•	•	•	•	•	•	•	•	•	•	•	•	•	•	•	•
Rotating	•	•	•	•	•	•	•	•	•	•	•	•	•	•	•	•	•	•	•	•	•	•	•	•	•	•	•	•
<b>FUNCTIONS</b>																												
mm/inch	•	•	•	•	•	•	•	•	•	•	•	•	•	•	•	•	•	•	•	•	•	•	•	•	•	•	•	•
Preset	•	•	•	•	•	•	•	•	•	•	•	•	•	•	•	•	•	•	•	•	•	•	•	•	•	•	•	•
Preset on Min/Max																				•	•							
Measuring direction	•	•	•	•	•	•	•	•	•	•	•	•	•	•	•	•	•	•	•	•	•	•	•	•	•	•	•	•
Hold	•	•	•	•	•	•	•	•	•	•	•	•	•	•	•	•	•	•	•	•	•	•	•	•	•	•	•	•
Min / Max / Delta	•	•	•	•	•	•	•	•	•	•	•	•	•	•	•	•	•	•	•	•	•	•	•	•	•	•	•	•
Tolerances	•	•	•	•	•	•	•	•	•	•	•	•	•	•	•	•	•	•	•	•	•	•	•	•	•	•	•	•
Absolute system S.I.S*	•	•	•	•	•	•	•	•	•	•	•	•	•	•	•	•	•	•	•	•	•	•	•	•	•	•	•	•
Auto off	•	•	•	•	•	•	•	•	•	•	•	•	•	•	•	•	•	•	•	•	•	•	•	•	•	•	•	•
Analog display																			•	•								
Bluetooth® technology										•	•	•	•						•	•								
Setting by PC	•	•	•	•	•	•	•	•	•	•	•	•	•	•	•	•	•	•	•	•	•	•	•	•	•	•	•	•
Programmable menus	•	•	•	•	•	•	•	•	•	•	•	•	•	•	•	•	•	•	•	•	•	•	•	•	•	•	•	•
Powered by connector	•	•	•	•	•	•	•	•	•	•	•	•	•	•	•	•	•	•	•	•	•	•	•	•	•	•	•	•
Multiplication factor	•	•	•	•	•	•	•	•	•	•	•	•	•	•	•	•	•	•	•	•	•	•	•	•	•	•	•	•
Ref I / II	•	•	•	•	•	•	•	•	•	•	•	•	•	•	•	•	•	•	•	•	•	•	•	•	•	•	•	•

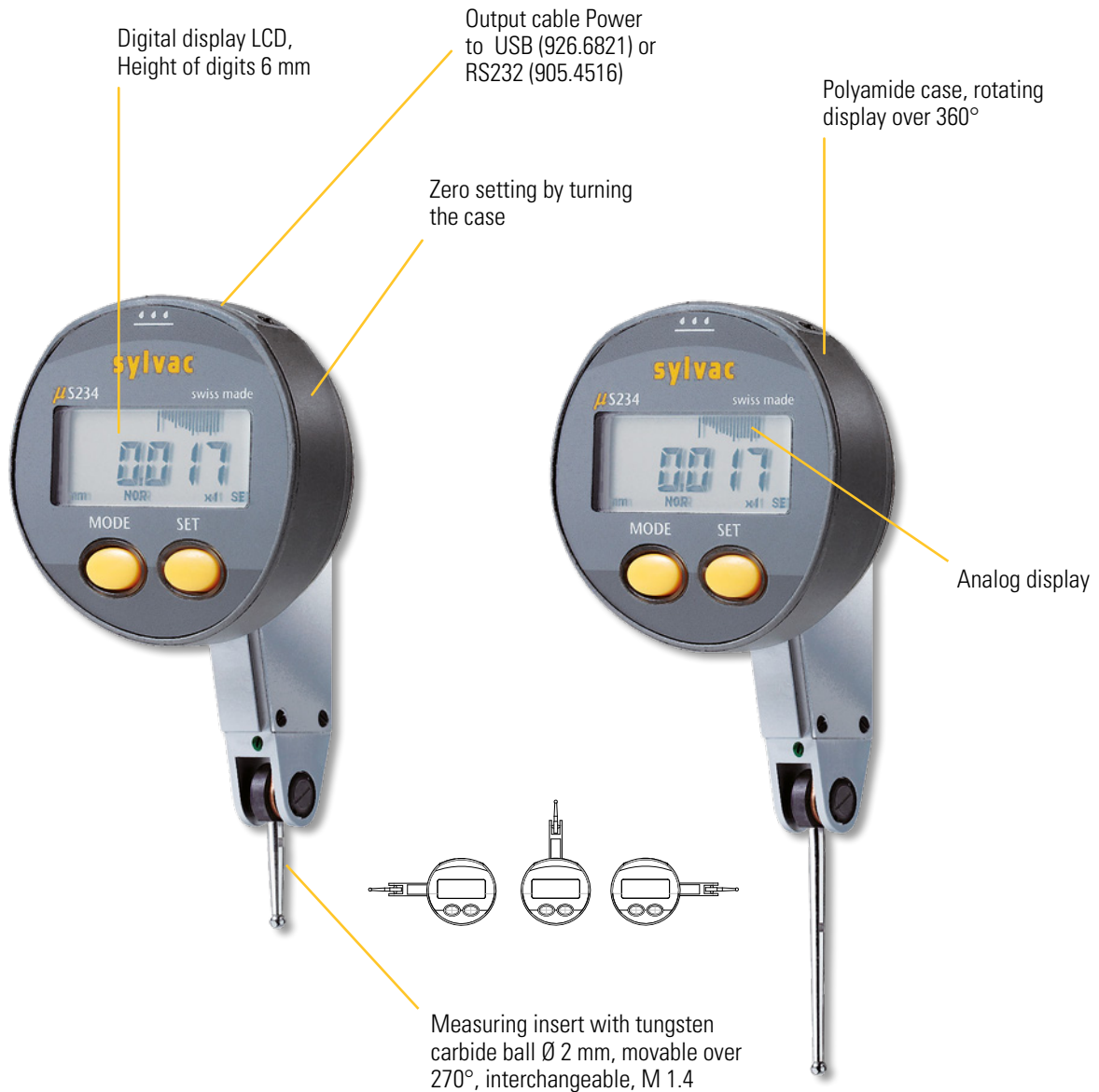
B

# Digital test indicators

# S\_Dial S234

## DESCRIPTION

- Digital and analog display
- Water and coolant resistant IP65
- Data output RS 232 combined with external power
- Automatic switch OFF
- Stem  $\varnothing$  8 mm and dovetail back
- Rotating display over 360°



POWER 

 **SWISS MADE**

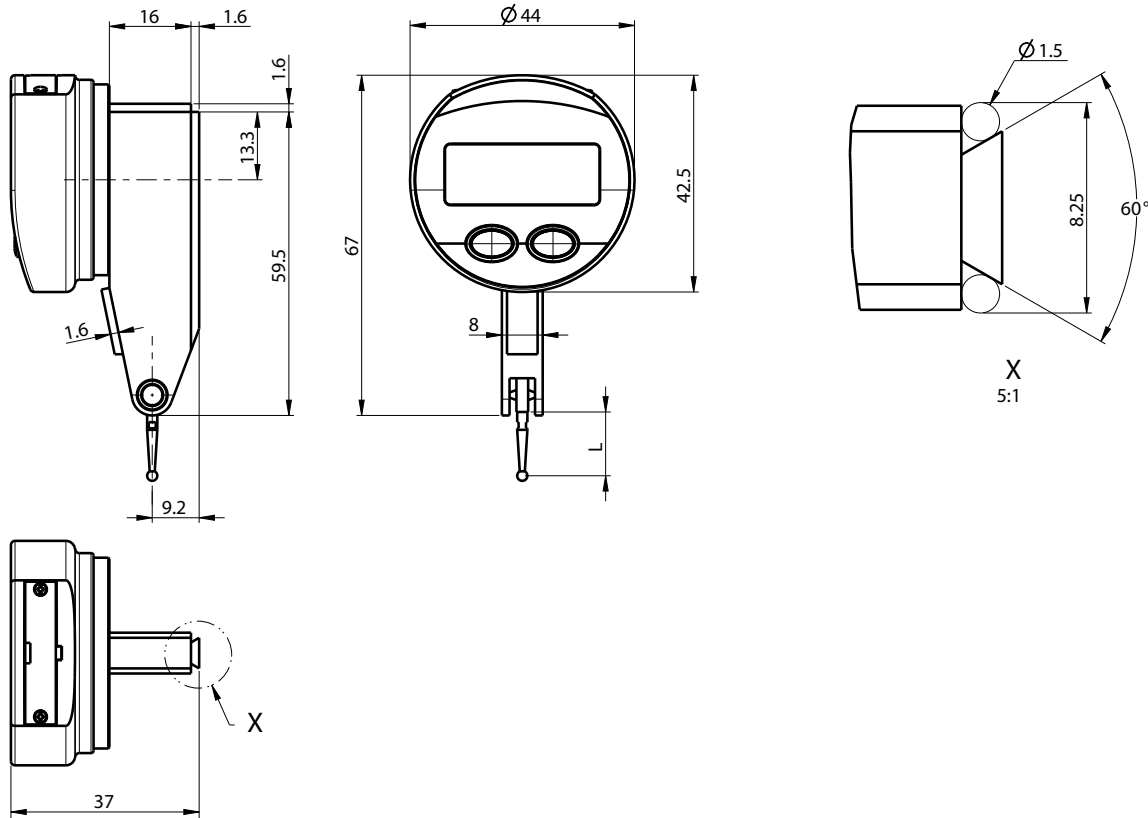
 WATER RESISTANT

 **IP65**

# Digital test indicators

# S\_Dial S234

## DIMENSIONAL DRAWING



## TECHNICAL SPECIFICATIONS

		905.4321	905.4322
Measuring range	mm	0.8	0.5
Probe length	mm	12.5	36.5
Max Error fe	µm	10	10
Hysteresis fu	µm	3 <sup>1)</sup>	4 <sup>1)</sup>
Resolution	mm	0.001	0.001
Repeatability	µm	3	3
Measuring force	N	0.13 ± 15%	0.07 ± 15%
Weight		75	75
Protection rating according to IEC 60529		IP65	
Output data		USB / RS232 <sup>2)</sup>	
Zero setting		●	
min / max / delta display		●	
Analog scale range ratio		●	
Selection of resolution		●	
Preset		max 99.999	

<sup>1)</sup> ± 1 digit

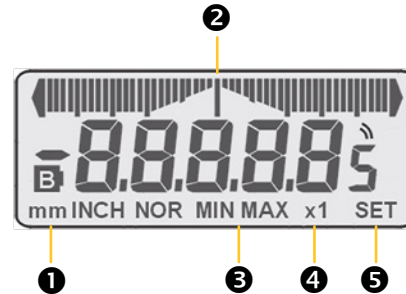
<sup>2)</sup> see cables chapter

B



## DISPLAY

- ➊ Direct mm/inch conversion
- ➋ Analog display
- ➌ Min/max/delta mode
- ➍ Analogic resolution display
- ➎ Zero setting



## BASIC INSTRUMENT

- Instrument according to technical specifications
- Lithium battery CR2032 included
- Instruction manual
- Stem  $\varnothing$  8 mm

## APPLICATIONS



Run-out measurement



Checking the alignment on milling machine.



Perpendicularity measurement with a S234 mounted on a Hi\_Gage ONE

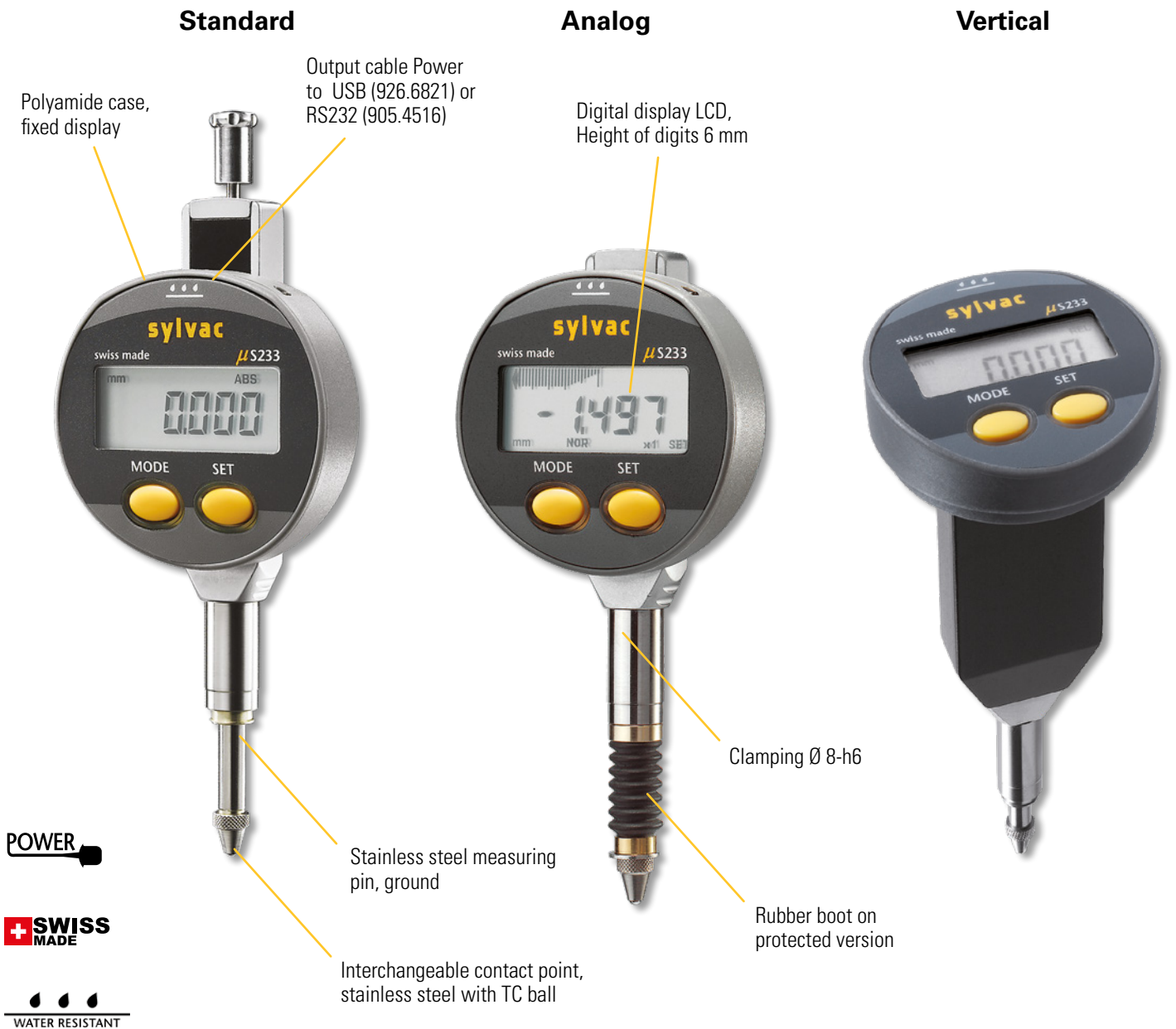


# Mini digital indicators

# S\_Dial S233

## DESCRIPTION

- Compact, small diameter (Ø44 mm)
- Water and coolant resistant, protection rating IP65 according to IEC 60529
- Data output RS 232 combined with external power supply.
- Interchangeable contact point M2.5
- Clamping stem Ø 8-h6 of hardened and ground stainless steel. Dovetail back
- Automatic power shut down



POWER

SWISS MADE

WATER RESISTANT

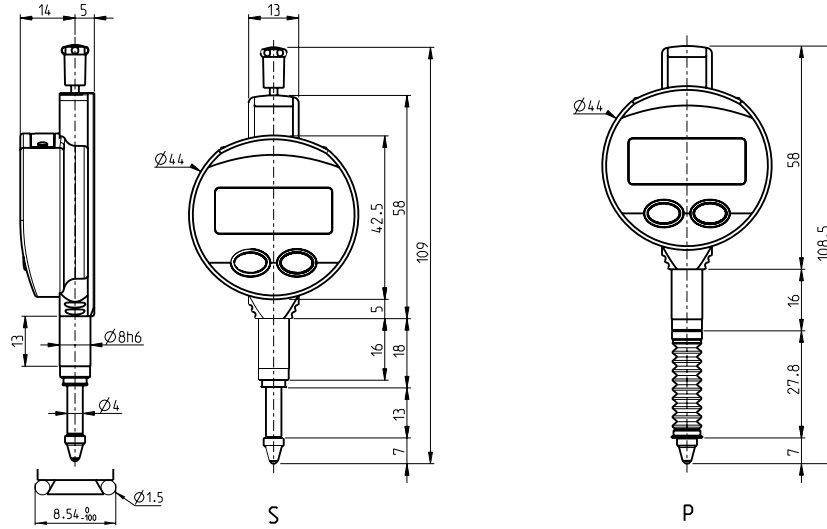
IP65

# Mini digital indicators

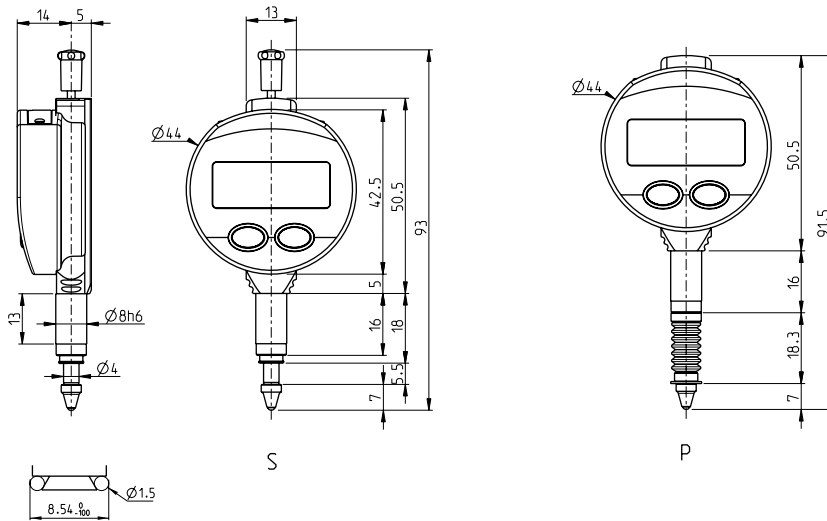
# S\_Dial S233

## DIMENSIONAL DRAWINGS

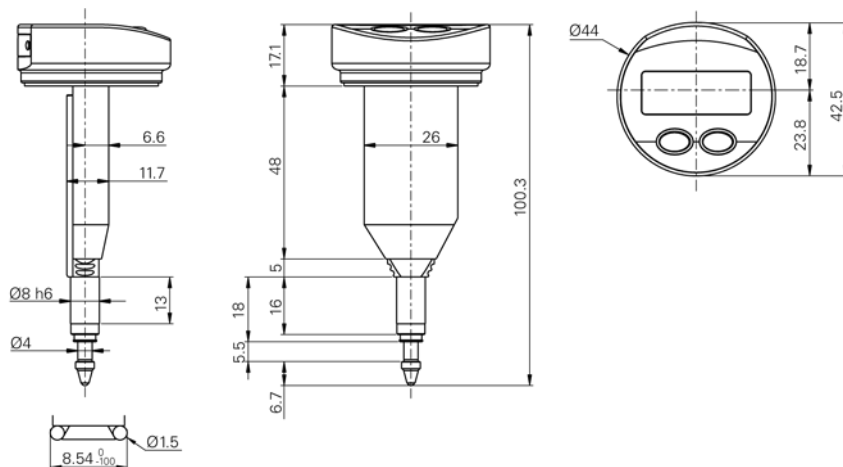
### Standard



### Analog



### Vertical



S = standard

P = protected

# Mini digital indicators

# S\_Dial S233

## TECHNICAL SPECIFICATIONS

		905.4140	905.4540	905.4511	905.4515
Measuring range	mm	5	5	5	5
Display 90°		●	●	---	---
Analog scale		---	---	●	●
Resolution	mm	0.01	0.001	0.001	0.001
Execution <sup>3)</sup>		S	S	S	P
Max. Error fe	µm	10 <sup>1)</sup>	5	4	4
Repeatability	µm	2	2	2	2
Measuring force	N	0.50 - 0.65 <sup>2)</sup>	0.50 - 0.65 <sup>2)</sup>	0.50 - 0.65 <sup>2)</sup>	0.60 - 1.20 <sup>2)</sup>
Zero setting		●	●	●	●
REL and ABS measurement		●	●	---	---
Resolution selection		---	●	●	●
PRESET = (max. 130 mm)		●	●	●	●
Min / max / delta display		---	---	●	●
Selection of measuring direction		●	●	---	---
Output data		USB / RS232 <sup>4)</sup>			
IP rating		IP65			

		905.4121	905.4125	905.4521	905.4525	905.4527
Measuring range	mm	12.5	12.5	12.5	12.5	12.5
Analog scale		---	---	---	---	---
Resolution	mm	0.01	0.01	0.001	0.001	0.001
Execution <sup>3)</sup>		S	P	S	P	S
Max. Error fe	µm	10 <sup>1)</sup>	10 <sup>1)</sup>	5	5	5
Repeatability	µm	2	2	2	2	2
Measuring force	N	0.5 - 0.90 N	0.6 - 1.3 N	0.5 - 0.90 N	0.6 - 1.3 N	0.5 - 0.90 N
Zero setting				●		
REL and ABS measurement				●		
Resolution selection		---	---	●	●	●
PRESET = (max. 130 mm)				●		
Min / max / delta display				---		
Selection of measuring direction				●		
Multiplication factor				---		●
Output data		USB / RS232 <sup>4)</sup>				
IP rating		IP65				

<sup>1)</sup> ± 1 digit

<sup>2)</sup> Values ± 20%, indicator in vertical position, outgoing measuring spindle

<sup>3)</sup> S = Standard P = Protected

<sup>4)</sup> see cables chapter

# Mini digital indicators

# S\_Dial S233

## BASIC INSTRUMENT

- Instrument according to technical specifications
- Lithium battery CR2032 included
- Instruction manual
- Calibration certificate for instruments with resolution 0.001 mm

B

## MEASURING FORCE FOR RANGE 12.5 mm

	S	P
Standard	0.5 - 0.90 N	0.6 - 1.3 N
Low <sup>1)</sup>	0.35 - 0.50 N	---
High <sup>1)</sup>	1.80 - 2.3 N	---

Tolerance  $\pm 20\%$ , indicator in vertical position, spindle in outgoing measurement.

<sup>1)</sup> on request

## APPLICATIONS



Checking of an internal  $\varnothing$  with a mechanical device



Measurement of the vertical displacement of an element



Measurement of internal chamfer

## DESCRIPTION

BASIC

- Robust construction
- Water and coolant resistant
- **Standard functions (mm/inch, set, direction of measurement)**
- Automatic wake-up and sleeping mode, **Absolute System S.I.S\***



PROXIMITY

POWER

SWISS MADE

WATER RESISTANT

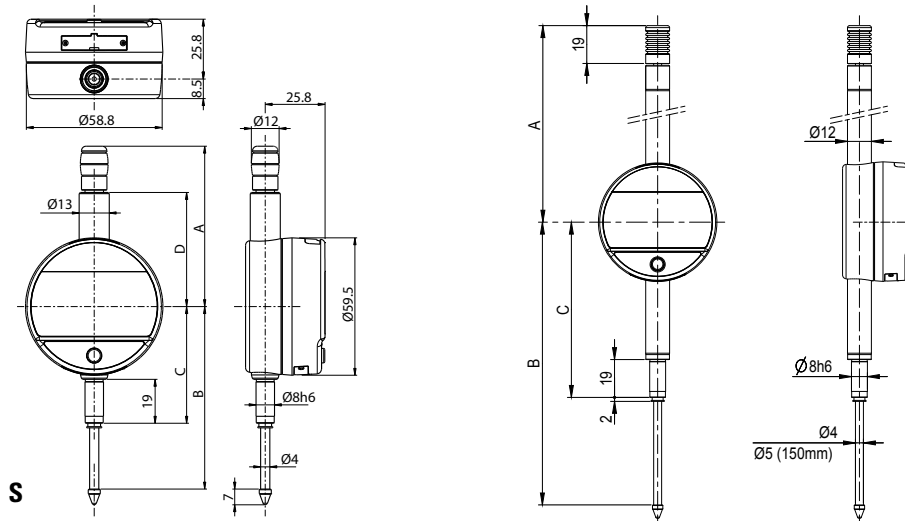
\* SIS Smart Inductive System description on page 5

# Digital indicators

# S\_Dial WORK

## DIMENSIONAL DRAWINGS

## BASIC



## TECHNICAL SPECIFICATIONS

		805.1201	805.1301	805.1401	805.1501	805.1601	805.1621
Measuring range	mm	12.5	12.5	25	25	50	50
Resolution	mm	0.01	0.001	0.01	0.001	0.01	0.001
Max. Error fe	µm	10 <sup>1)</sup>	<b>4</b>	10 <sup>1)</sup>	<b>5</b>	20 <sup>1)</sup>	<b>7</b>
Repeatability	µm	2					
IP rating		IP51					
A	mm	56.7		69.9		121.3	
B	mm	66.1		78.5		142	
C	mm	50.5		50.5		88	
D	mm	36.6		49.4		-	
Output data		USB / RS232					
Programmable by PC		●					
Standard functions (customized by PC)		Preset (only programmable by PC with cable) mm/inch, max 999.999), direction of measurement					

<sup>1)</sup> ± 1 digit

## BASIC INSTRUMENT

## MEASURING FORCE

		S 12.5	S 25	S 50
• Instrument according to technical specifications				
• Lithium battery CR2032 included				
• Instruction manual				
• Calibration certificate for instruments 0.001 mm				
Standard	N	0.65 - 0.90	0.65 - 1.15	1.1 - 2.6
Low <sup>3)</sup>	N	0.4 - 0.55	0.45 - 0.9	---
High <sup>3)</sup>	N	1.0 - 1.6	0.9 - 1.8	---

Tolerance ± 20%, spindle in outgoing measurement position.  
<sup>3)</sup> on request

B



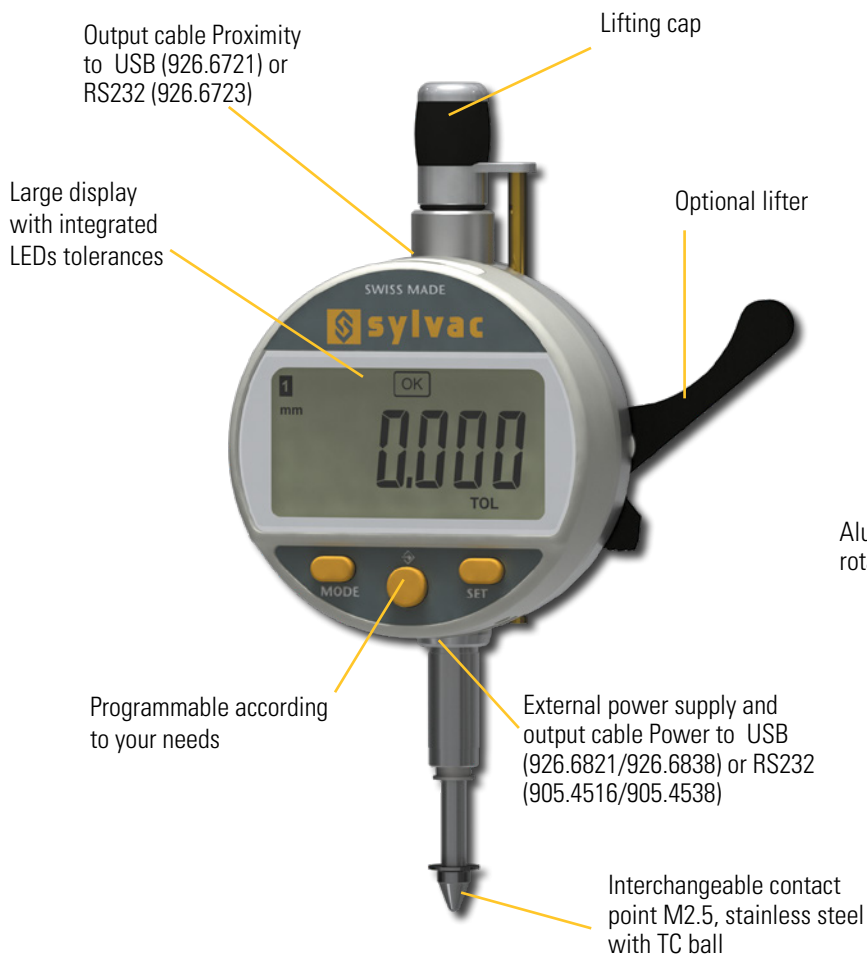
# Digital indicators

# S\_Dial WORK

## DESCRIPTION

ADVANCED

- Robust construction
- Water and coolant resistant
- New technology with configurable menus
- **Broad choice of functions (MIN/MAX/DELTA, TOL, Factor, PRESET, AUTO OFF, etc.)**
- Automatic wake-up and sleeping mode, **Absolute System S.I.S\***
- **Maximum error of 3 µm**

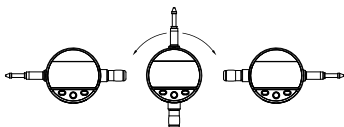


PROXIMITY

POWER

SWISS MADE

WATER RESISTANT



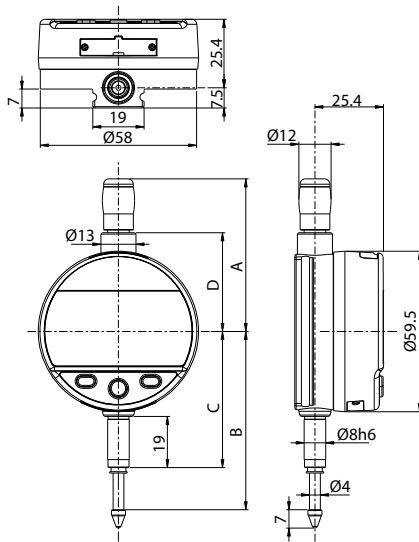
\* SIS description on page 5

# Digital indicators

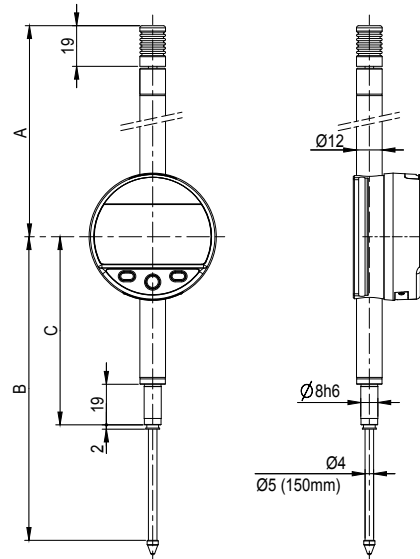
# S\_Dial WORK

## DIMENSIONAL DRAWINGS

## ADVANCED



**S 12.5-25 mm**



**S 50-150 mm**

## TECHNICAL SPECIFICATIONS

		805.5201	805.5301	805.5401	805.5501	805.5601	805.5621	805.5641	805.5661	805.5671	805.5681
Measuring range	mm	12.5	12.5	25	25	50	50	100	100	150	150
Resolution	mm	0.01	0.001	0.01	0.001	0.01	0.001	0.01	0.001	0.01	0.001
Max. Error fe	µm	10 <sup>1)</sup>	<b>3</b>	10 <sup>1)</sup>	<b>4</b>	20 <sup>1)</sup>	<b>5</b>	20 <sup>1)</sup>	<b>6</b>	20 <sup>1)</sup>	<b>10</b>
Repeatability	µm	2									
IP rating		IP54									
A	mm	56.7		69.4		121		172		224	
B	mm	66.1		78.5		142		244		349	
C	mm	50.5		50.5		88		139		193	
D	mm	36.6		49.4		-		-		-	
Output data		USB / RS232									
Programmable by PC		●									
Standard functions (customized by PC)		mm/inch, ref I/II, preset (max 999.999) min/max/delta, tolerances, resolution, direction of measurement, multiplication factor, automatic or manual switch off, key lock									

<sup>1)</sup> ± 1 digit

## BASIC INSTRUMENT

## MEASURING FORCE

			12.5	25	50	100	150
● Instrument according to technical specifications							
● Lithium battery CR2032 included							
● Instruction manual							
● Calibration certificate for instruments 0.001 mm							
	Standard	N	0.65 - 0.9	0.65 - 1.15	1.1 - 2.6	1.8 - 3.8	2.6 - 5.7
	Low <sup>2)</sup>	N	0.4 - 0.55	0.45 - 0.9	---	---	---
	High <sup>2)</sup>	N	1.0 - 1.6	0.9 - 1.8	---	---	---

Tolerance ± 20%, spindle in outgoing measurement position.  
<sup>2)</sup> on request

B

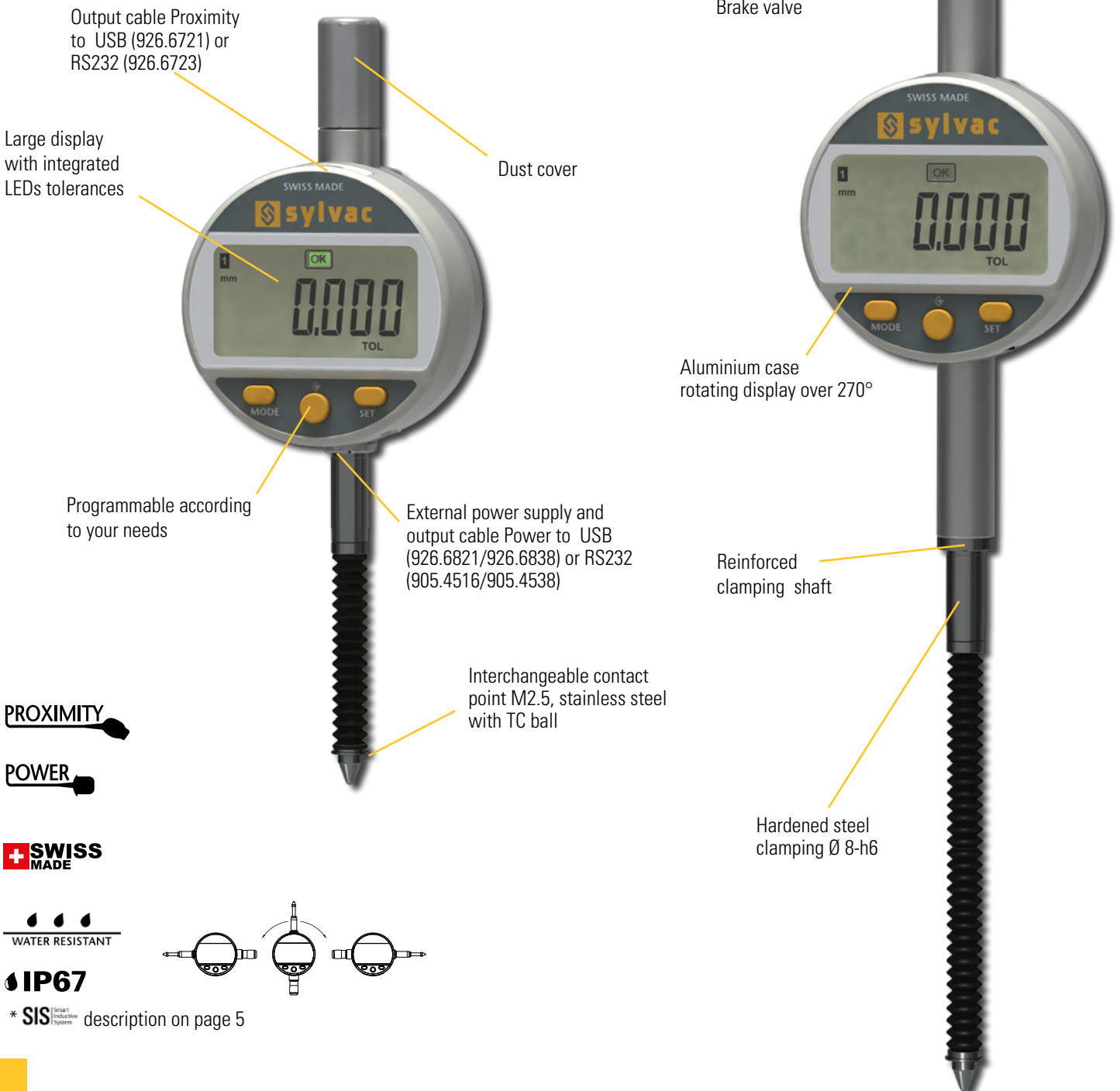
# Digital indicators

# S\_Dial WORK

## DESCRIPTION

ADVANCED IP67

- Robust construction
- Water and coolant resistant
- Protection rating IP67 according to IEC 60529, **even connected**
- New technology with configurable menus
- **Broad choice of functions (MIN/MAX/DELTA, TOL, Factor, PRESET, AUTO OFF, etc.)**
- Automatic wake-up and sleeping mode, **Absolute System S.I.S**
- **Maximum error of 3 µm**

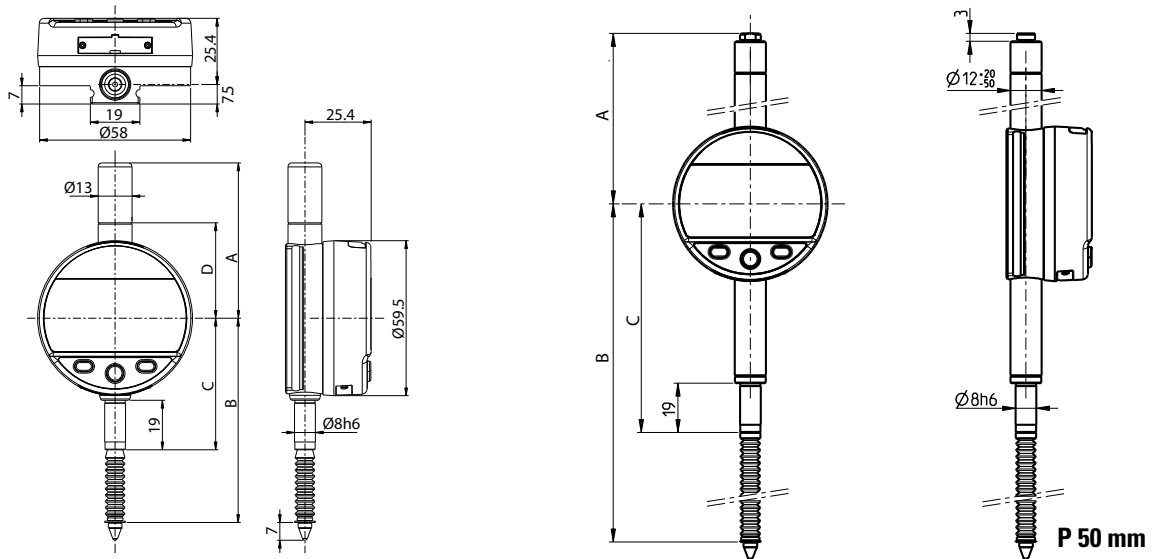


# Digital indicators

# S\_Dial WORK

## DIMENSIONAL DRAWINGS

## ADVANCED IP67



P 12.5-25 mm

P 50 mm

## TECHNICAL SPECIFICATIONS

		805.5305	805.5505	805.5625
Measuring range	mm	12.5	25	50
Resolution	mm	0.001	0.001	0.001
Max. Error fe	µm	<b>3</b>	<b>4</b>	<b>5</b>
Repeatability	µm		2	
IP rating			IP67	
A	mm	59.6	85.4	104.4
B	mm	78.4	99.7	175.3
C	mm	50.5	50.5	88
D	mm	36.6	49.4	-
Output data		USB / RS232		
Programmable by PC		●		
Standard functions (customized by PC)		mm/inch, ref I/II, preset (max 999.999) min/max/delta, tolerances, resolution, direction of measurement, multiplication factor, automatic or manual switch off, key lock		

## BASIC INSTRUMENT

## MEASURING FORCE

		P 12.5	P 25	P 50	
● Instrument according to technical specifications					
● Lithium battery CR2032 included					
● Instruction manual					
● Calibration certificate for instruments 0.001 mm					
	Standard	N	0.7 – 1.4	0.65 – 1.8	0.9 – 2.8
	Low <sup>2)</sup>	N	---	---	---
	High <sup>2)</sup>	N	---	---	---

Tolerance ± 20%, spindle in outgoing measurement position.  
<sup>2)</sup> on request

B

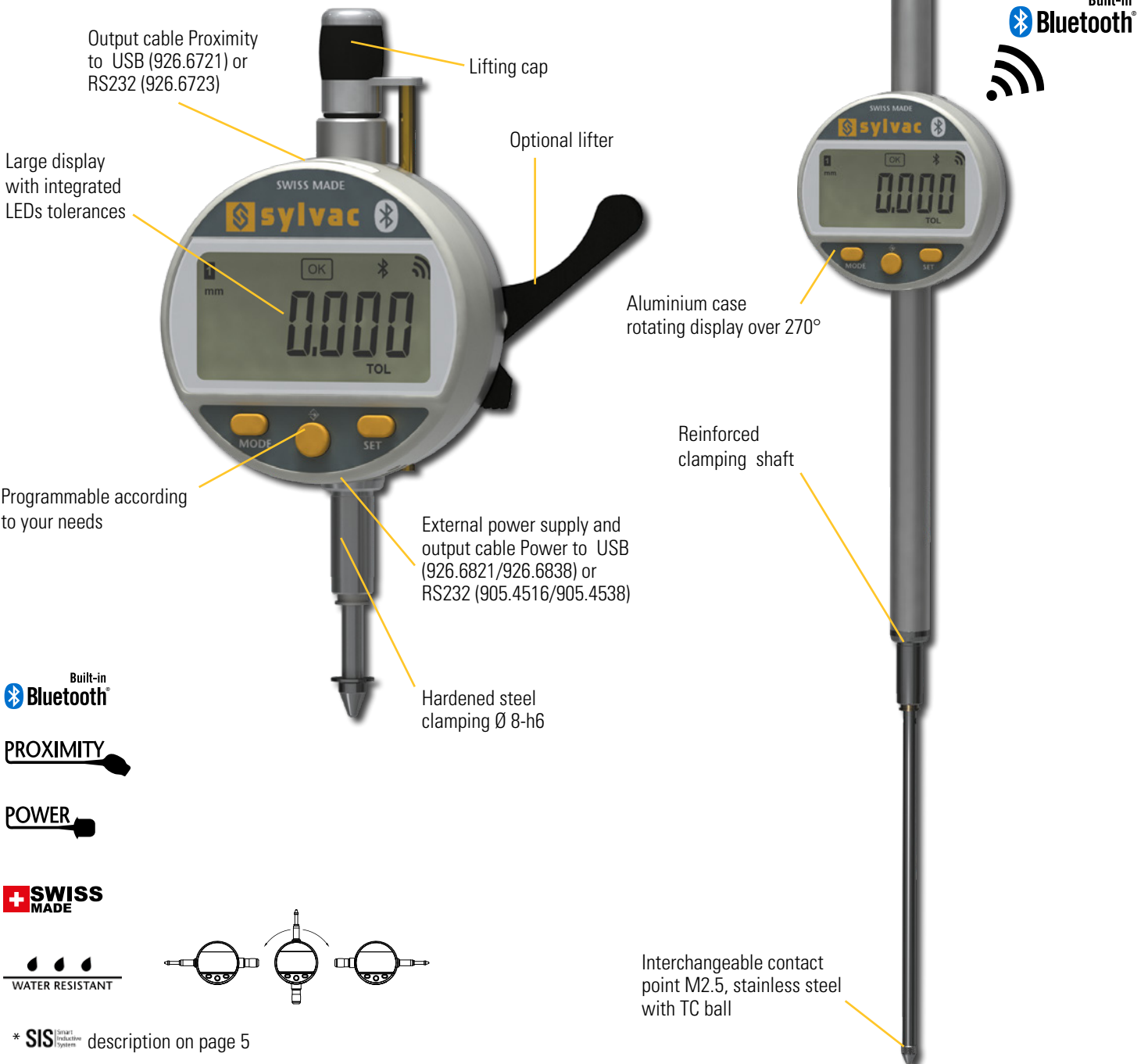
# Digital indicators

# S\_Dial WORK

## DESCRIPTION

SMART

- **Integrated Bluetooth® Wireless technology**
- Robust construction
- Water and coolant resistant
- New technology with configurable menus
- **Broad choice of functions (MIN/MAX/DELTA, TOL, Factor, PRESET, AUTO OFF, etc.)**
- Automatic wake-up and sleeping mode, **Absolute System S.I.S\***
- **Maximum error of 3 µm**



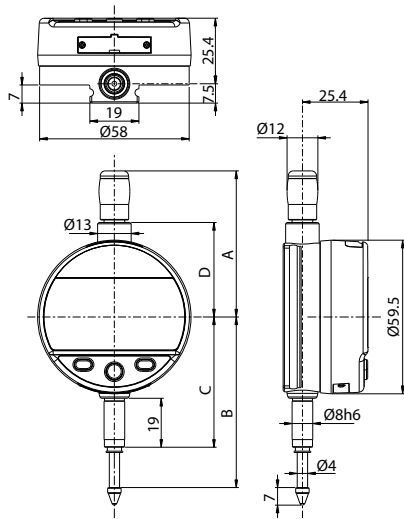
\* SIS description on page 5

# Digital indicators

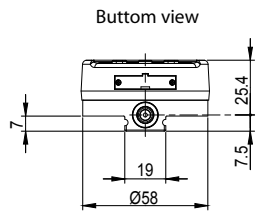
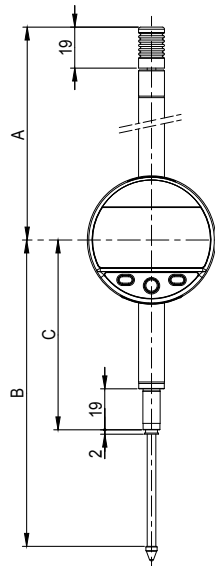
# S\_Dial WORK

## DIMENSIONAL DRAWINGS

## SMART



**S 12.5 - 25**



**S 50 - 100**

## TECHNICAL SPECIFICATIONS

		805.6301	805.6501	805.6621	805.6661
Measuring range	mm	12.5	25	50	100
Resolution	mm	0.001	0.001	0.001	0.001
Max. Error fe	µm	<b>3</b>	<b>4</b>	<b>5</b>	<b>6</b>
Repeatability	µm	2			
IP rating		IP54			
A	mm	56.7	69.4	121	172
B	mm	66.1	78.5	142	244
C	mm	50.5	50.5	88	139
D	mm	36.6	49.4	-	-
Output data		USB / RS232 / Bluetooth® wireless technology*			
Programmable by PC		●			
Standard functions (customized by PC)		mm/inch, ref I/II, preset (max 999.999) min/max/delta, tolerances, resolution, direction of measurement, multiplication factor, automatic or manual switch off, key lock			

<sup>1)</sup> ± 1 digit

**\* Up to 8 instruments connected per dongle #981.7100**  
More informations on How to use Bluetooth® leaflet SYL\_1401\_EN\_BT

## BASIC INSTRUMENT

## MEASURING FORCE

- Instrument according to technical specifications
- Lithium battery CR2032 included
- Instruction manual
- Calibration certificate for instruments 0.001 mm

		12.5	25	50	100
Standard	N	0.65 - 0.90	0.65 - 1.15	1.1 - 2.6	1.8 - 3.8
Low <sup>2)</sup>	N	0.4 - 0.55	0.45 - 0.9	---	---
High <sup>2)</sup>	N	1.0 - 1.6	0.9 - 1.8	---	---

Tolerance ± 20%, spindle in outgoing measurement position.  
<sup>2)</sup> on request

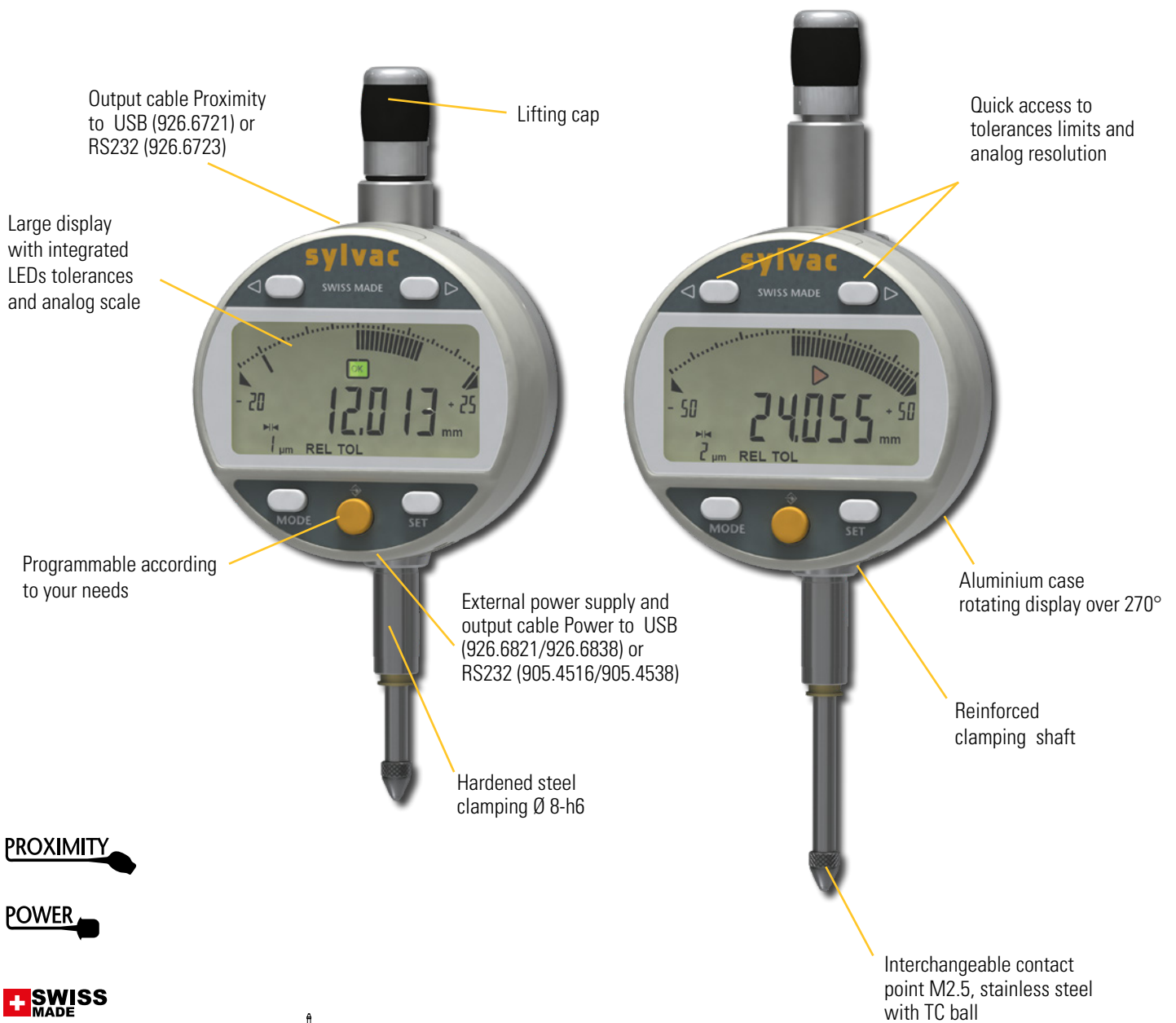
# Digital indicators

# S\_Dial WORK

## DESCRIPTION

ANALOG

- **Adaptive analog display (up to 0.2  $\mu\text{m}$  per segment)**
- Robust construction
- Water and coolant resistant
- New technology with configurable menus
- **Broad choice of functions (MIN/MAX/DELTA, TOL, Factor, PRESET, AUTO OFF, etc.)**
- Automatic wake-up and sleeping mode, **Absolute System S.I.S\***
- **Maximum error of 3  $\mu\text{m}$**

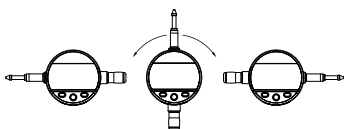


PROXIMITY

POWER

SWISS MADE

WATER RESISTANT



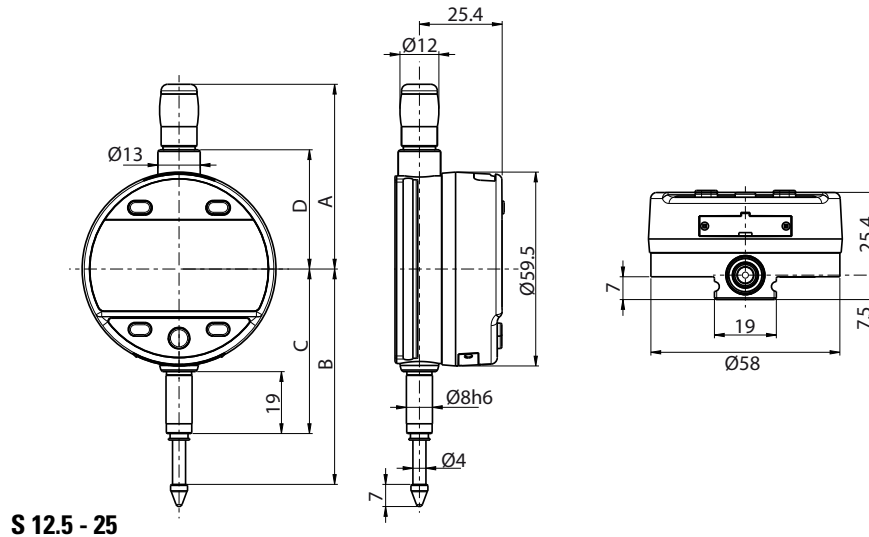
\* SIS description on page 5

# Digital indicators

# S\_Dial WORK

## DIMENSIONAL DRAWINGS

## ANALOG



## TECHNICAL SPECIFICATIONS

		805.5307	805.5507
Measuring range	mm	12.5	25
Resolution	mm	0.001	
Max. Error fe	µm	<b>3</b>	<b>4</b>
Repeatability	µm	2	
IP rating		IP54	
A	mm	56.7	69.4
B	mm	66.1	78.5
C	mm	50.5	50.5
D	mm	36.6	49.4
Output data		USB / RS232	
Programmable by PC		●	
Standard functions (customized by PC)		mm/inch, preset (max 999.999) min/max/delta, tolerances, resolution, direction of measurement, multiplication factor, automatic or manual switch off, key lock	

<sup>1)</sup> ± 1 digit

## BASIC INSTRUMENT

## MEASURING FORCE

- Instrument according to technical specifications
- Lithium battery CR2032 included
- Instruction manual
- Calibration certificate

		S 12.5	S 25
Standard	N	0.65 - 0.90	0.65 - 1.15
Low <sup>2)</sup>	N	0.4 - 0.55	0.45 - 0.9
High <sup>2)</sup>	N	1.0 - 1.6	0.9 - 1.8

Tolerance ± 20%, spindle in outgoing measurement position.

<sup>2)</sup> on request

B



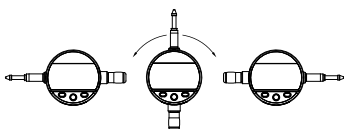
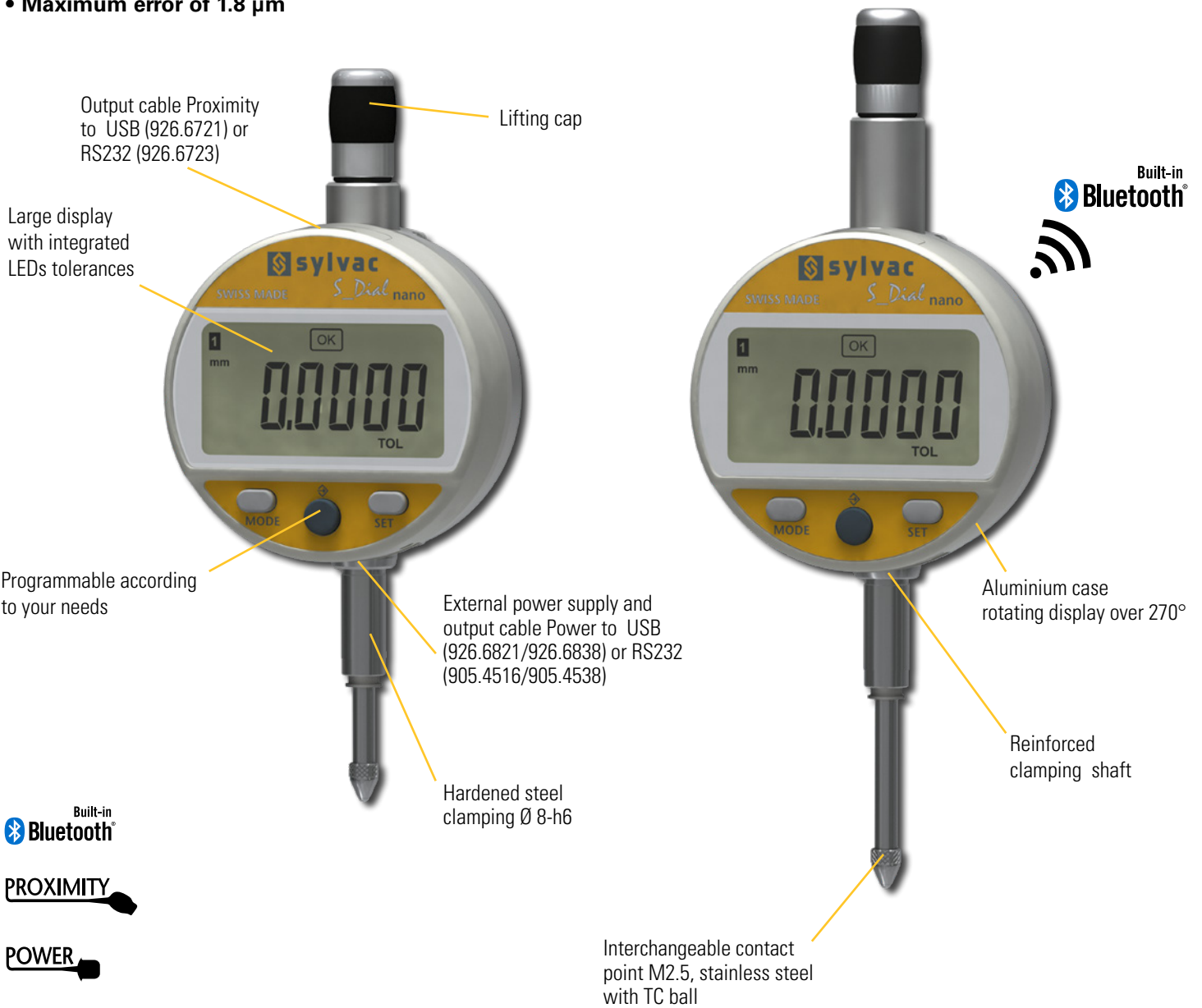
# Digital indicators

# S\_Dial WORK

## DESCRIPTION

## NANO & NANO SMART

- **0,1 µm resolution**
- Robust construction
- Water and coolant resistant
- New technology with configurable menus
- **Broad choice of functions (MIN/MAX/DELTA, TOL, Factor, PRESET, AUTO OFF, etc.)**
- Automatic wake-up and sleeping mode, **Absolute System S.I.S\***
- **Maximum error of 1.8 µm**



\* SIS Smart Inductive System description on page 5

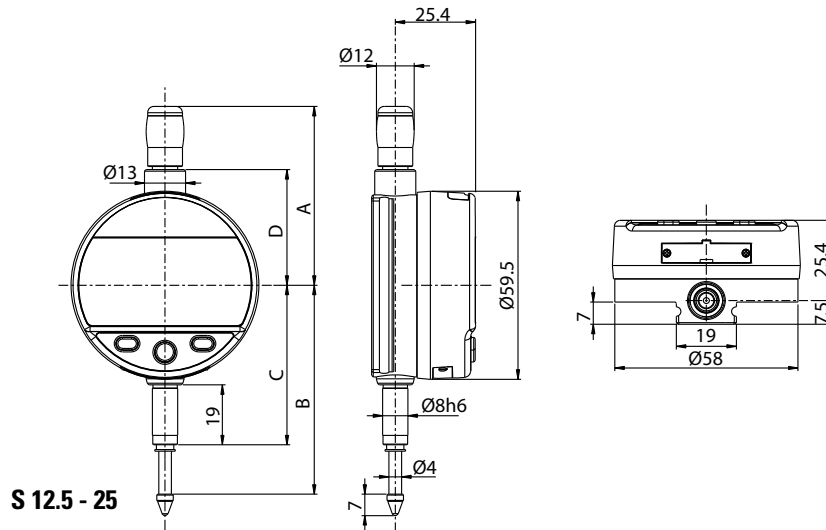
**Max error 1.8 µm**  
**Repeatability 0,5 µm**

# Digital indicators

# S\_Dial WORK

## DIMENSIONAL DRAWINGS

## NANO & NANO SMART



## TECHNICAL SPECIFICATIONS

		805.5306	805.5506	805.6306	805.6506
Measuring range	mm	12.5	25	12.5	25
Resolution	mm	0.0001	0.0001	0.0001	0.0001
Max. Error fe	µm	<b>1.8</b>	<b>2.2</b>	<b>1.8</b>	<b>2.2</b>
Repeatability	µm	0.5			
IP rating		IP54			
A	mm	56.7	69.4	56.7	69.4
B	mm	66.1	78.5	66.1	78.5
C	mm	50.5	50.5	50.5	50.5
D	mm	36.6	49.4	36.6	49.4
Output data		USB / RS232		USB / RS232 / Bluetooth® wireless technology*	
Programmable by PC		●			
Standard functions (customized by PC)		mm/inch, ref I/II, preset (max 999.999) min/max/delta, tolerances, resolution, direction of measurement, multiplication factor, automatic or manual switch off, key lock			

**\* Up to 8 instruments connected per dongle #981.7100**  
**More informations on How to use Bluetooth® leaflet SYL\_1401\_EN\_BT**

## BASIC INSTRUMENT

## MEASURING FORCE

		S 12.5	S 25
• Instrument according to technical specifications			
• Lithium battery CR2032 included			
• Instruction manual			
• Calibration certificate			
Standard	N	0.65 - 0.90	0.65 - 1.15
Low <sup>2)</sup>	N	0.4 - 0.55	0.45 - 0.9
High <sup>2)</sup>	N	1.0 - 1.6	0.9 - 1.8

Tolerance ± 20%, spindle in outgoing measurement position.  
<sup>2)</sup> on request

B

# Digital indicators

# S\_Dial WORK

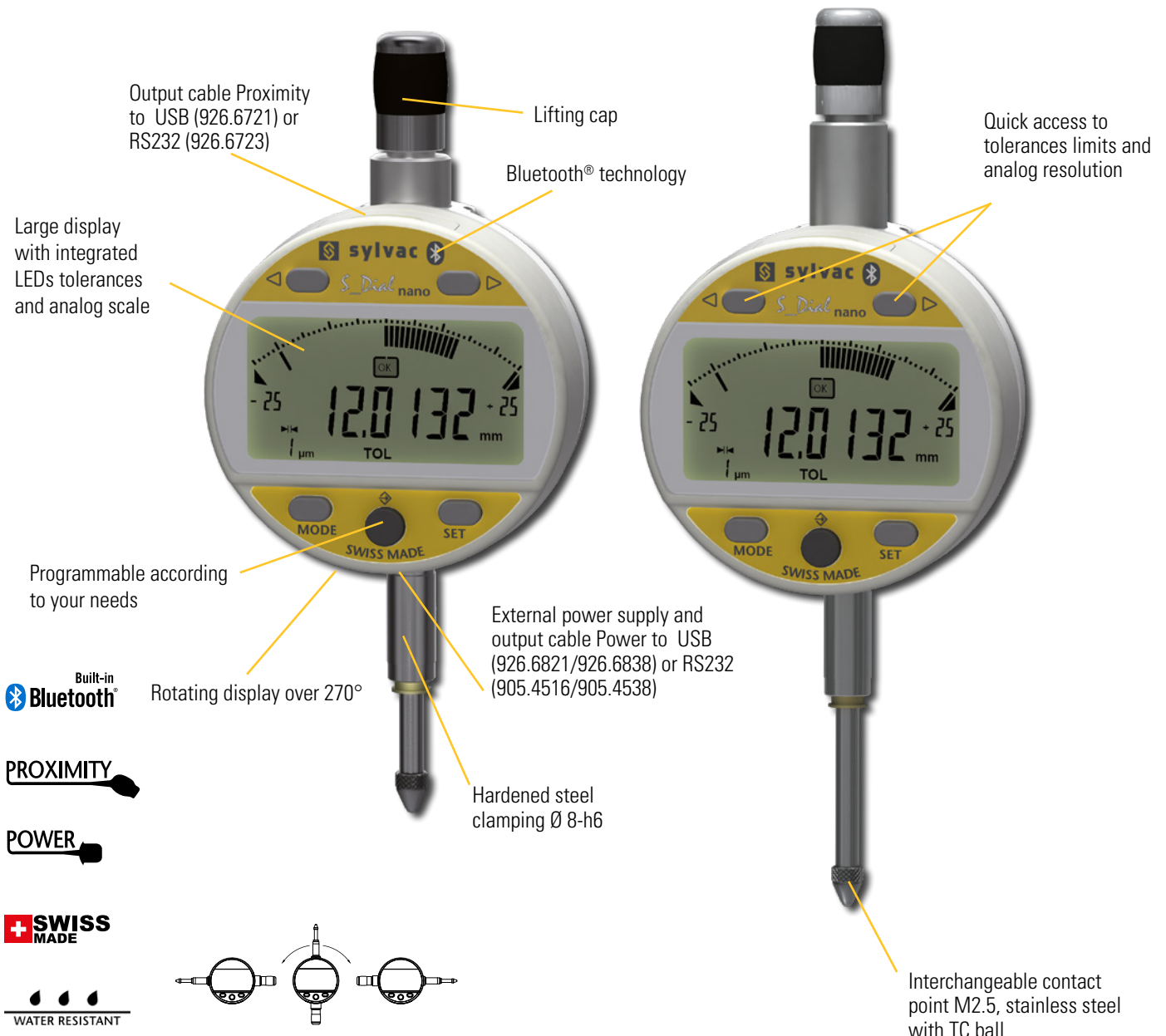
## DESCRIPTION

## ANALOG NANO SMART

- **Integrated Bluetooth® Wireless technology**
- Adaptive analog display (up to 0.1  $\mu\text{m}$  per segment)
- **0,1  $\mu\text{m}$  resolution**
- Robust construction
- Water and coolant resistant
- New technology with configurable menus
- **Broad choice of functions (MIN/MAX/DELTA, TOL, Factor, PRESET, AUTO OFF, etc.)**
- Automatic wake-up and sleeping mode, **Absolute System S.I.S\***
- **Maximum error of 1.8  $\mu\text{m}$**



B

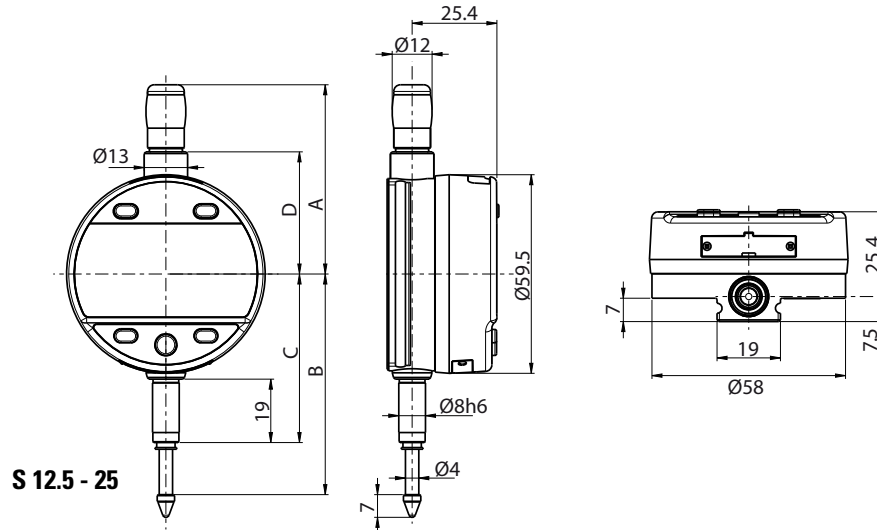


# Digital indicators

# S\_Dial WORK

## DIMENSIONAL DRAWINGS

## ANALOG NANO SMART



## TECHNICAL SPECIFICATIONS

		805.6307	805.6507
Measuring range	mm	12.5	25
Resolution	mm	0.0001	
Max. Error fe	µm	<b>1.8</b>	<b>2.2</b>
Repeatability	µm	0.5	
IP rating		IP54	
A	mm	56.7	69.4
B	mm	66.1	78.5
C	mm	50.5	50.5
D	mm	36.6	49.4
Output data	USB / RS232 / Bluetooth® wireless technology*		
Programmable by PC	●		
Standard functions (customized by PC)	mm/inch, preset (max 99.9999 or 999.999) min/max/delta, tolerances, resolution, direction of measurement, multiplication factor, automatic or manual switch off, key lock		

**\* Up to 8 instruments connected per dongle #981.7100**  
More informations on How to use Bluetooth® leaflet SYL\_1401\_EN\_BT

## BASIC INSTRUMENT

## MEASURING FORCE

- Instrument according to technical specifications
- Lithium battery CR2032 included
- Instruction manual
- Calibration certificate

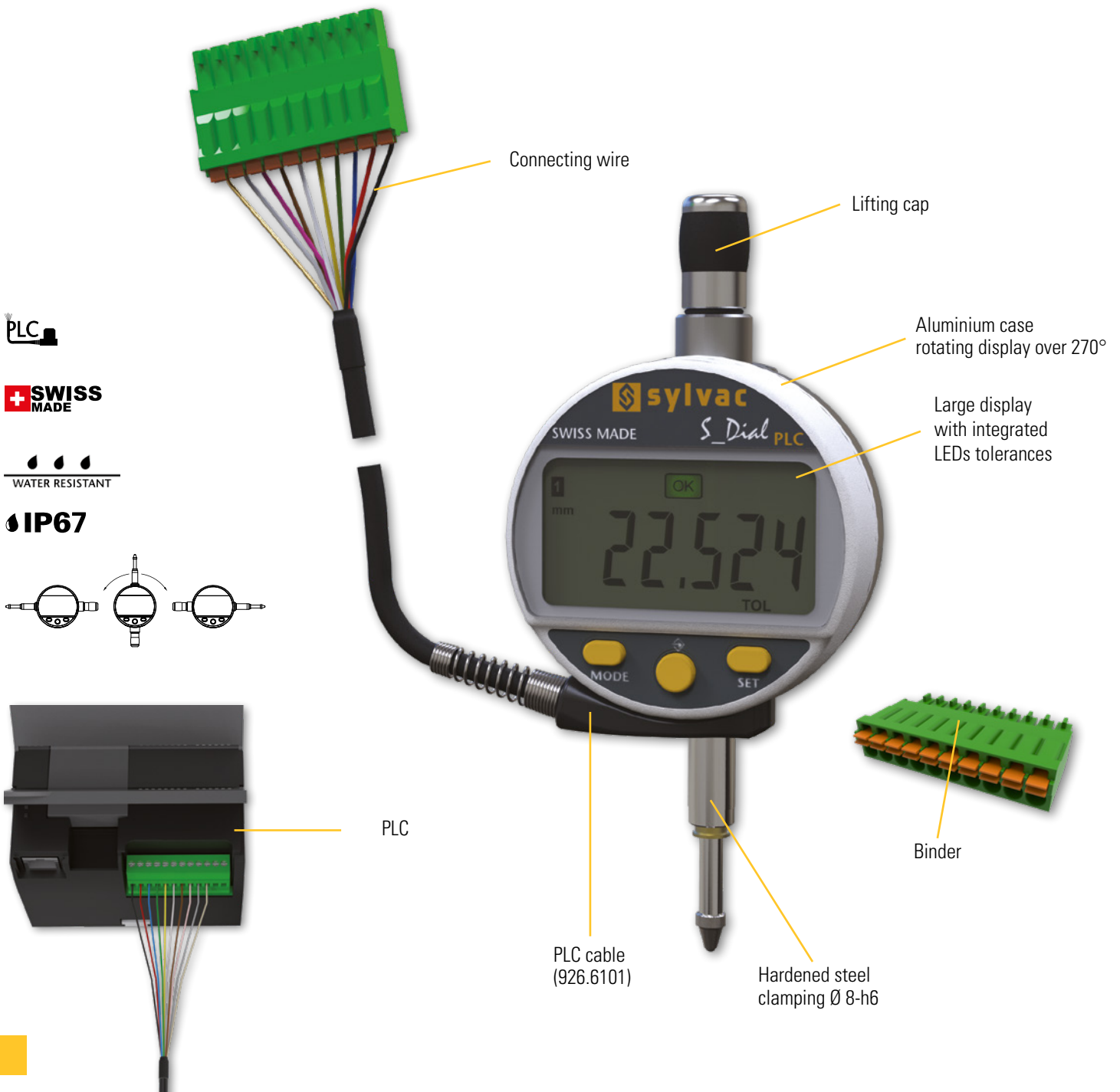
		S 12.5	S 25
Standard	N	0.65 - 0.90	0.65 - 1.15
Low <sup>2)</sup>	N	0.4 - 0.55	0.45 - 0.9
High <sup>2)</sup>	N	1.0 - 1.6	0.9 - 1.8

Tolerance ± 20%, spindle in outgoing measurement position.  
<sup>2)</sup> on request

B

**Indicator with PLC connector**

- Resolution up to 0.001mm
- Robust construction
- Water and coolant resistant
- New technology with configurable menus
- **Broad choice of functions (MIN/MAX/DELTA, TOL, Factor, PRESET, etc.)**
- Maximum error up to 4 µm
- Compatible with the following protocols : MODBUS / ASCII / ORBIT

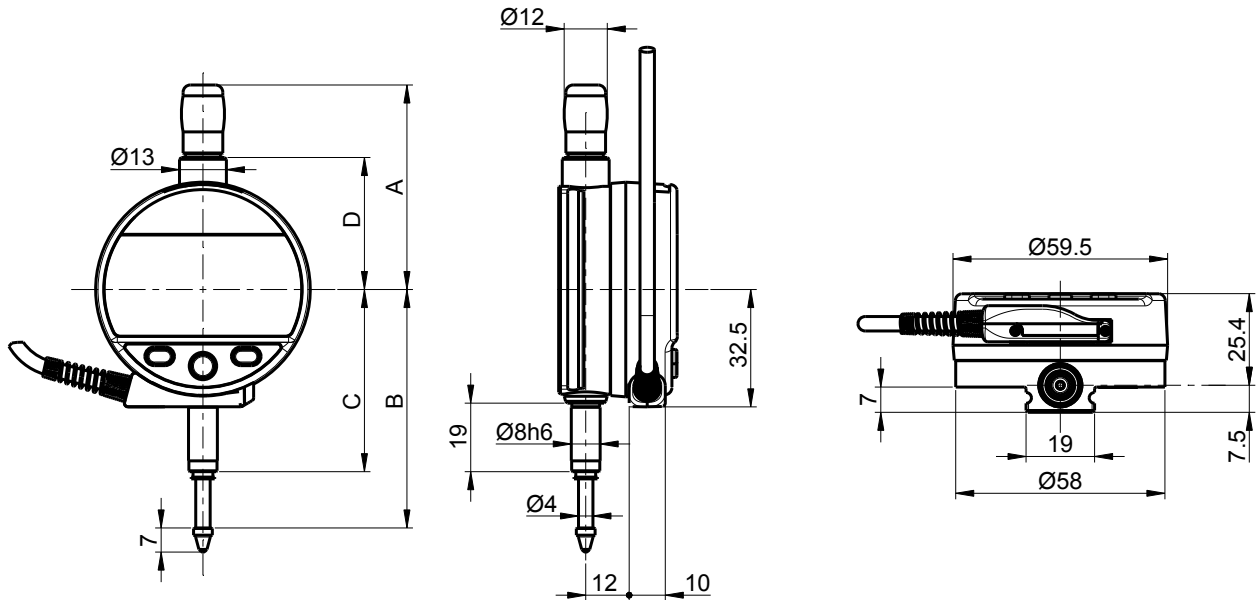


# Digital indicators

# S\_Dial WORK

## DIMENSIONAL DRAWINGS

PLC



## TECHNICALS SPECIFICATIONS

		805.7301	805.7201	805.7501	805.7401
Measuring range	mm	12.5	12.5	25	25
A	mm	56.7		69.4	
B	mm	66.1		78.5	
C	mm	50.5		50.5	
D	mm	36.6		49.4	
Resolution	mm	0.001	0.01	0.001	0.01
Max. Error fe	µm	4	10	5	10
Repeatability	µm	2			
Output data		PLC cable / RS232 (Proximity) and RS485 (cable) compatible			
Data bus		RS485 compatible / Charge 1/256 (Protocole MODBUS, ASCII or ORBIT)			
Measuring force	N	0.65 - 0.9		0.65 - 1.15	
IP rating		IP67	IP54	IP67	IP54
Clamping		Ø8h6, interchangeable anvil probe M2.5			
Standard functions (customizable by PC)		mm/inch, ref I/II, preset (max 999.999) min/max/delta, tolerances, resolution, measuring direction, multiplier, keylock			

## INSTRUMENT DE BASE

- Instrument according to technical specifications
- PLC cable + binder included
- Manual
- Calibration certificate

B

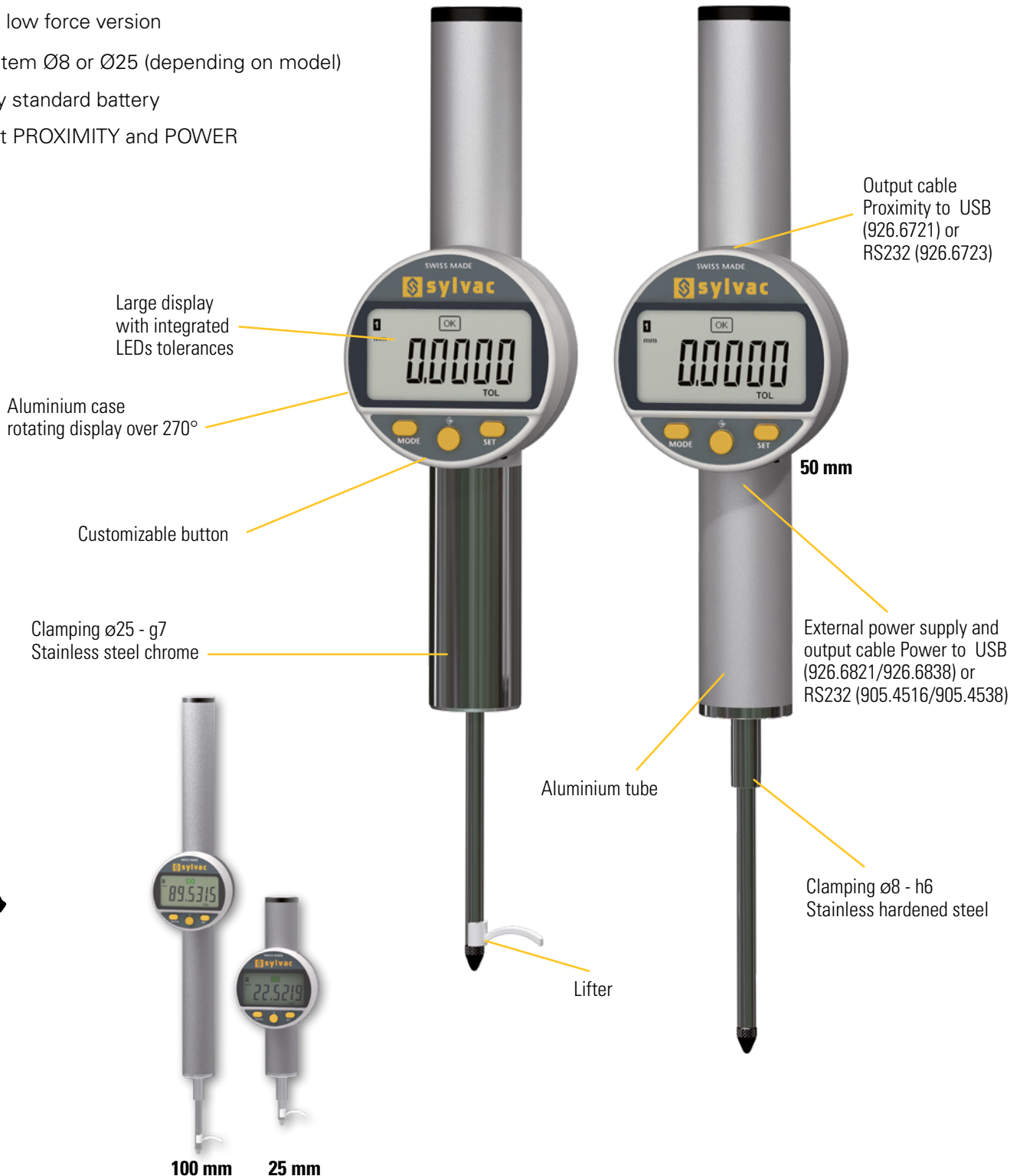
# Digital indicators

# S\_Dial PRO

## DESCRIPTION

## BASIC

- High accuracy indicators allowing to measure on long range without calibration
- Broad choice of functions (MIN/MAX/DELTA, TOL, Factor, PRESET, AUTO OFF, etc)
- Resolution 0.1  $\mu\text{m}$
- **Max. admissible error 1.5  $\mu\text{m}/50\text{mm}$**
- Corrected measuring system with reference on the scale
- Mixed ceramic/ball bearings
- Available in low force version
- Clamping stem  $\varnothing 8$  or  $\varnothing 25$  (depending on model)
- Powered by standard battery
- Data output PROXIMITY and POWER

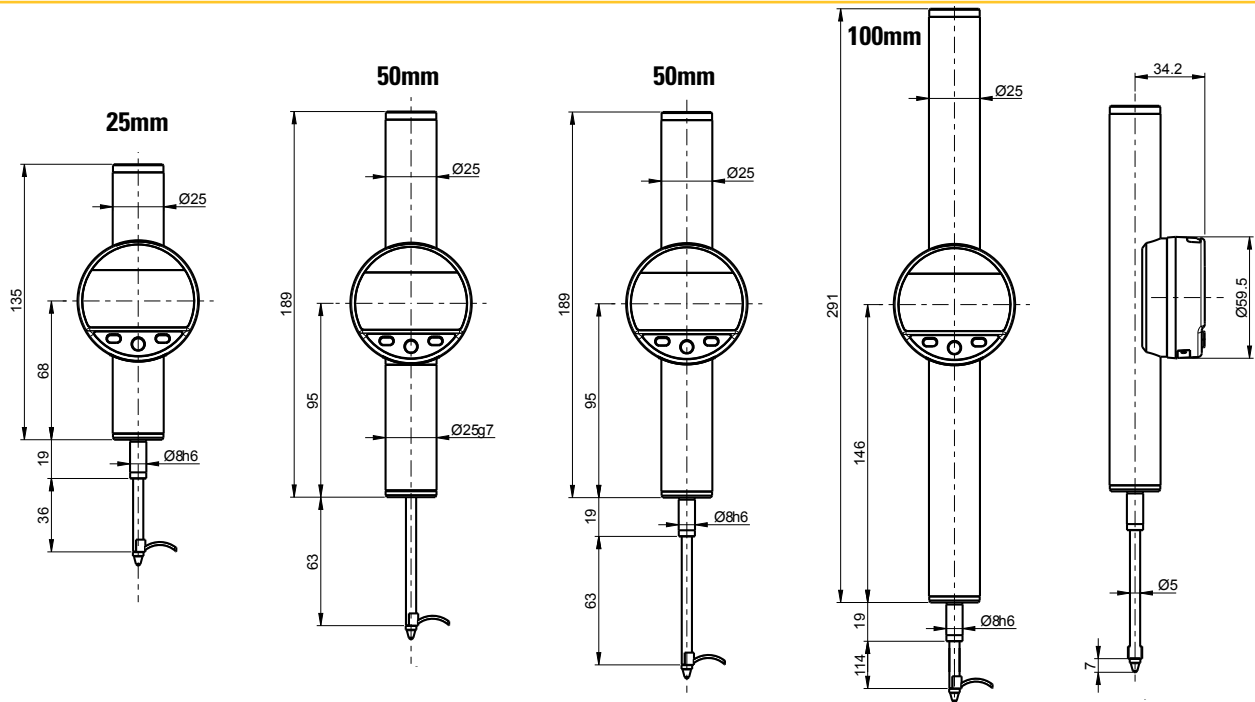


# Digital indicators

# S\_Dial PRO

## DIMENSIONAL DRAWINGS

## BASIC



## TECHNICALS SPECIFICATIONS

		805.8501	805.8502	805.8601	805.8701	805.8602	805.8702	805.8661
Measuring range	mm	25		50			100	
Resolution	mm	0.0001						
Max. Error fe	µm	<b>1.3</b>		<b>1.5</b>			<b>2.2</b>	
Repeatability	µm	0.2						
Output data		USB / RS232						
Programmable by PC		●						
Clamping		ø8 h6			ø25 g7		ø8 h6	
Spring		●	<sup>1)</sup>	●	<sup>1)</sup>	●	<sup>1)</sup>	●
Measuring force	N	0.75 - 1.00 <sup>2)</sup>	0.30 <sup>2)</sup>	0.85 - 1.2 <sup>2)</sup>	0.40 <sup>2)</sup>	0.85 - 1.2 <sup>2)</sup>	0.40 <sup>2)</sup>	0.90 - 1.30 <sup>2)</sup>
IP rating		IP51						
Standard functions (customizable by PC)		mm/inch, ref I/II, preset (max 99.9999) min/max/delta, tolerances, resolution, measuring direction, multiplier, automatic extinction/manual, keylock						

<sup>1)</sup> Model without spring : Constant measuring force, use only in a vertical position

<sup>2)</sup> The values agree within ± 20% (vertical down, measuring rod outgoing)

## INSTRUMENT DE BASE

- Instrument according to technical specifications
- Lithium battery CR2032 included
- Lifter included
- Manual
- Calibration certificate

B



## APPLICATIONS

B



Measurement of a span with S\_Dial WORK equipped with measuring ball probe 905.2207



S\_Dial WORK Analog measuring with bore gauge system



S\_Dial WORK mounted on a Sylvac PS15 bench



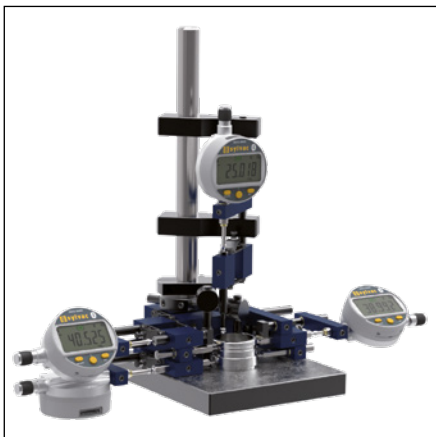
S\_Dial WORK Smart working in duplex mode and connected to D300S to measure concentricity, roundness, etc.



S\_Dial WORK PLC connected to a PLC



S\_Dial WORK Analog used on bore gauge system



Indicators with Bluetooth® Wireless technology on a 4 points jig



Indicators with Bluetooth® Wireless technology on an iPad through the Sylvac BT Smart App



S\_Dial PRO on ceramic stand

# Digital indicators

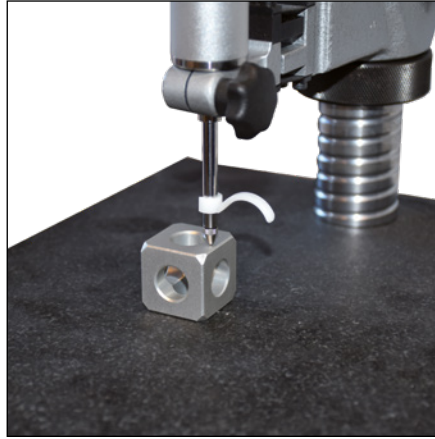
# S\_Dial

## LIFTING DEVICES

B



Lower lifting lever, type 905.4214



Lifting device on S\_Dial PRO Basic



Upper lifting device type 905.4215



Pneumatic lifting device type 905.2218



Vacuum lifting device type 905.2220



Lifting device with photo-cable type 905.2216



Lifting device type 905.2214



Lifting device on S\_Dial WORK Smart

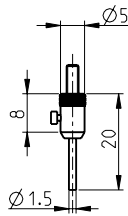
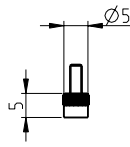
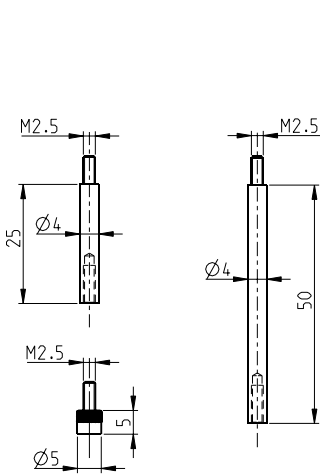


Upper lifting lever type, 905.2215

## ACCESSORIES

B

Contact points M2.5



S233

S234 (905.4321)

S234 (905.4322)

S\_Dial WORK  
12,5 - 25 mm

S\_Dial WORK  
50 - 150 mm

S\_Dial PRO Basic

905.2201

905.2202

905.2203

•

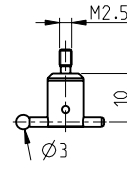
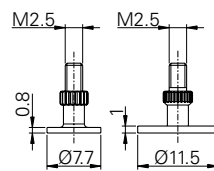
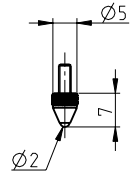
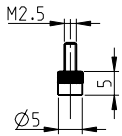
•

•

•

•

•



905.2206

905.2204

905.2205

905.2207

•

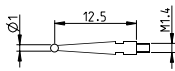
•

•

•

•

•



905.2240

Short probe, TC ball

•

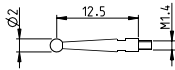
•

•

•

•

•



905.2241

Short standard probe, TC ball

•

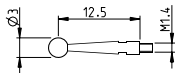
•

•

•

•

•



905.2242

Short probe, TC ball

•

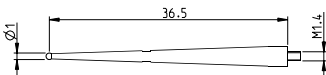
•

•

•

•

•



905.2243

Long probe, TC ball

•

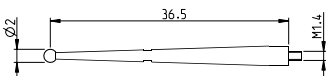
•

•

•

•

•



905.2244

Long standard probe, TC ball

•

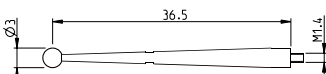
•

•

•

•

•



905.2245

Long probe, TC ball

•

•

•

•

•

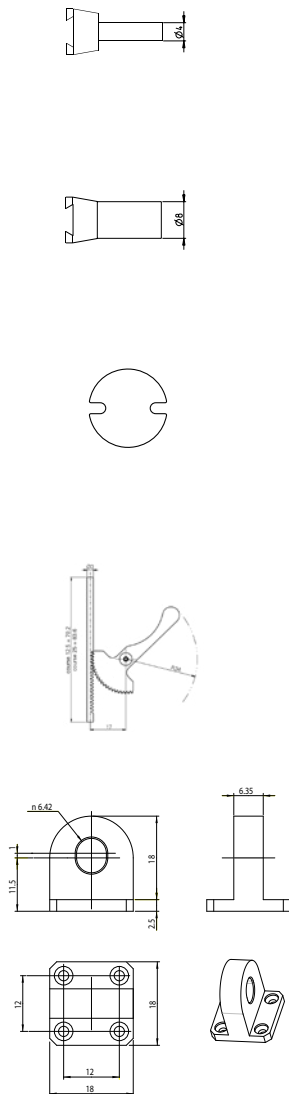
•

# Digital indicators

# S\_Dial

## ACCESSORIES

B

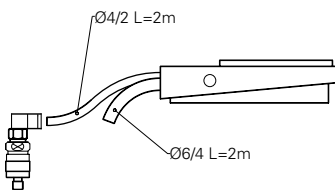
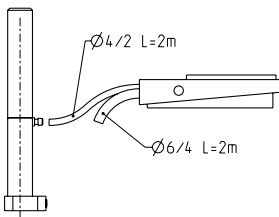
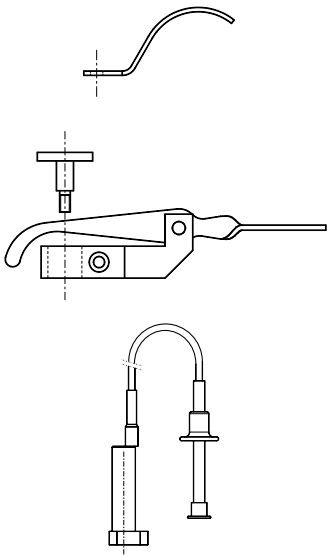


		S233	S234	S_Dial WORK 12,5 - 25 mm	S_Dial WORK 50 - 150 mm
905.2246	Clamping stem	•	•		
905.2247	Clamping stem	•	•		
905.2248	Spanner for probe		•		
805.0214	Lifting device, range 12.5mm			• <sup>1)</sup>	
805.0215	Lifting device, range 25mm			• <sup>1)</sup>	
805.0213	Lug back			• <sup>1)</sup>	• <sup>1)</sup>
905.2231	Sleeve Ø8 --> 10mm with locking screw	•	•	•	•
905.4212	Screwdriver for S233 & S234	•	•		

<sup>1)</sup> Except S\_Dial WORK Basic

## ACCESSORIES

B



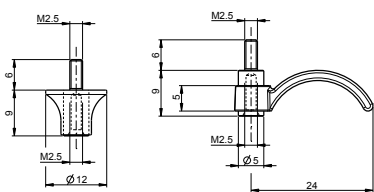
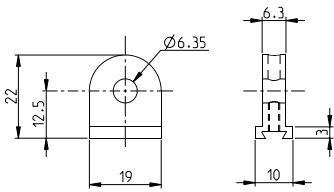
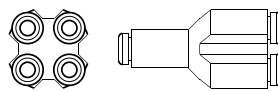
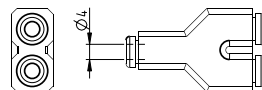
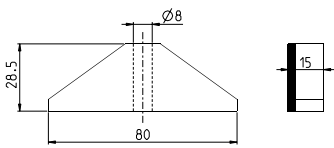
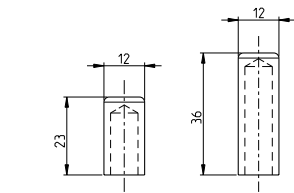
		S233	S234	S_Dial WORK 12,5 - 25 mm	S_Dial WORK 50 - 150 mm	S_Dial PRO Basic
905.2214	Lifting device	•		•	•	•
905.2215	Upper lifting device			•		
905.2216	Lifting device with photo-cable			•		
905.2218	Pneumatic lifting device with foot pedal			•		
905.2217	Lifter only for 905.2218			•		
905.2219	Pneumatic foot pedal for 905.2218	•		•		
905.2220	Vacuum lifting device with foot pedal				•	
905.2227	Pressure controller				•	
905.2228	Vacuum foot pedal for 905.2220				•	

# Digital indicators

# S\_Dial

## ACCESSORIES

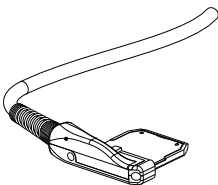
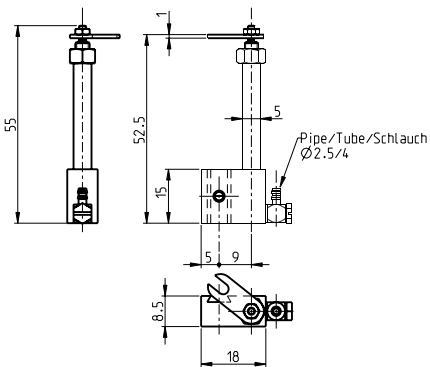
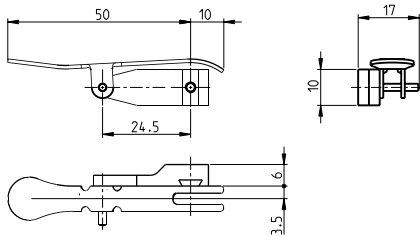
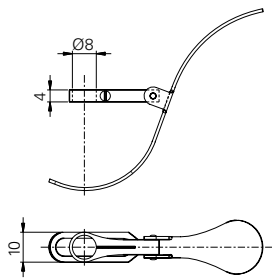
B



		S233	S234	S_Dial WORK 12,5 - 25 mm	S_Dial WORK 50 - 150 mm	S_Dial PRO Basic
<b>905.2221</b>	Dust protection for indicator, range 12.5 mm			•		
<b>905.2222</b>	Dust protection for indicator, range 25 mm			•		
<b>905.2223</b>	Depth measuring base			•	•	
<b>905.2261</b>	Snap connector for pneumatic lifter x2	•		•	•	
<b>905.2262</b>	Snap connector for pneumatic lifter x4	•		•	•	
<b>905.4211</b>	Center lug back	•	•			
<b>905.2224</b>	Plastic lifting lever (bottom)	•		•	•	•
<b>905.2225</b>	Plastic lifting ring (bottom)	•		•	•	•

## ACCESSORIES

B



		S233	S234	S_Dial WORK 12,5 - 25 mm	S_Dial WORK 50 - 150 mm	S_Dial WORK PLC
<b>905.4214</b>	Lower lifting device, range 12.5 mm	●	1)	1)	1)	1)
<b>905.4215</b>	Upper lifting device for S (Standard) execution, except vertical type	●				
<b>905.4217</b>	Pneumatic lifting device for standard type	●				
<b>926.6101</b>	Replacement cable for digital indicator PLC					●

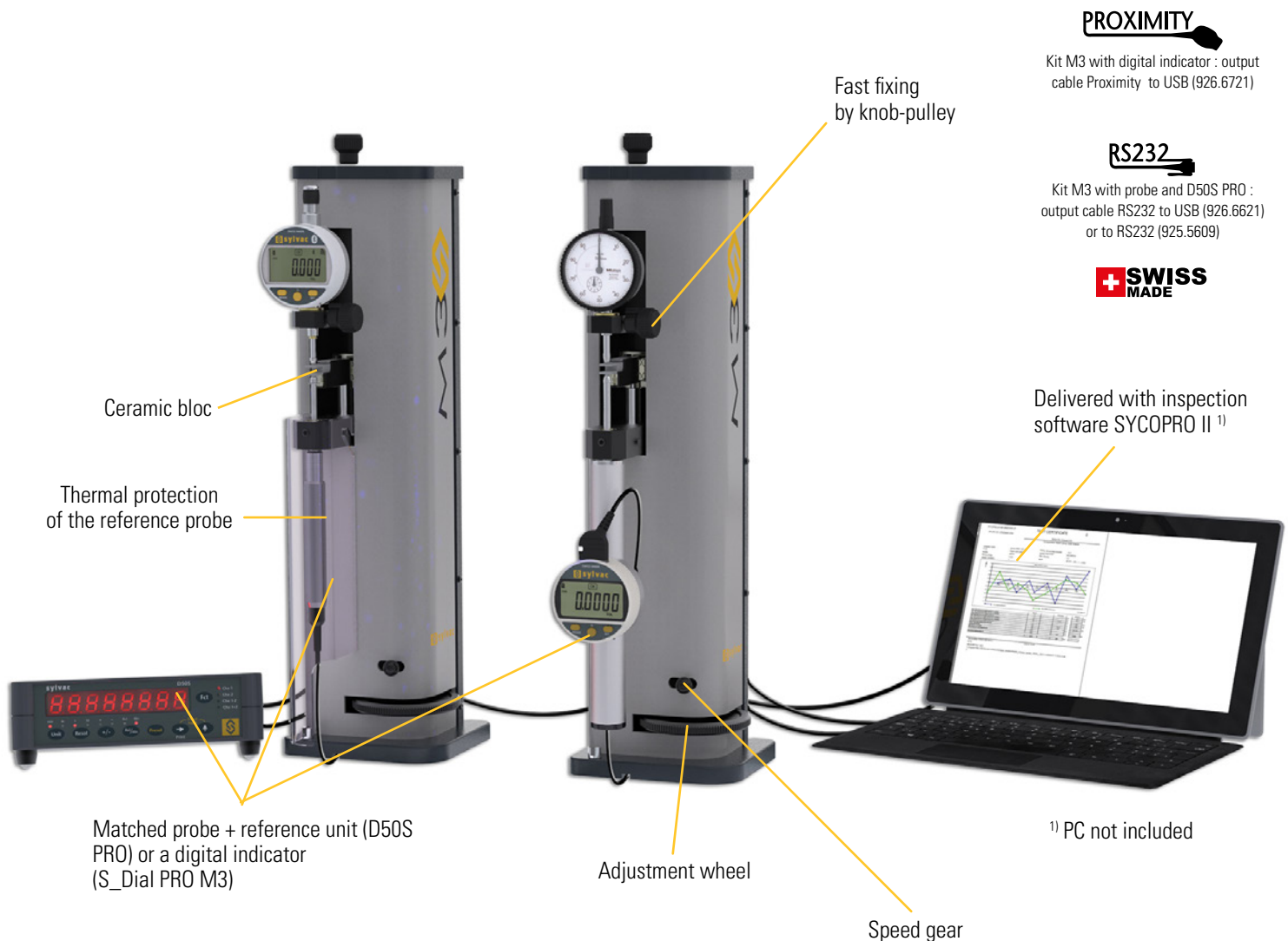
<sup>1)</sup> used on range 20 mm max

# Digital indicator testing stand M3

## DESCRIPTION

- Control thanks to a probe 10mm, 25mm or a digital indicator 25mm, 50mm
- Suitable for testing dial gauges plunger type and test indicators
- Allows the use of 2 calibrated measuring probes (like P25 and P25)  
(P10 calibrated on channel 1 and P50 calibrated on channel 2) (version D50S PRO)
- Testing system according to ABBE principle
- Can be used in vertical and horizontal position
- Ceramic gauges blocs
- Direct status from the instrument during checking
- Integrated standards
- Creation of personalized certificates of inspection
- Fast and slow approach speeds
- Visualization at any time of the control status
- Control of digital instruments with direct connection

B



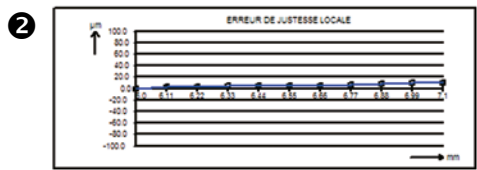
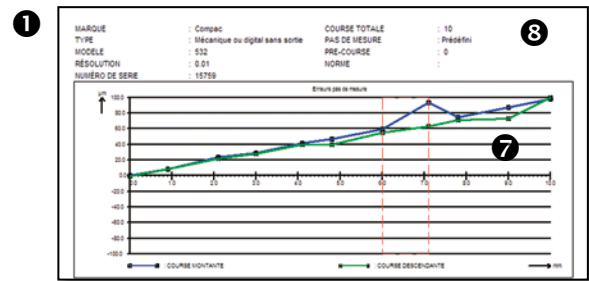


# Digital indicator testing stand M3

## DISPLAY/SOFTWARE

B

- 1 Display the curves of measurement
- 2 Check the error and repeatability
- 3 Creation and management of instrument groups
- 4 Fast access to all of stored instruments
- 5 Integrated standards
- 6 Personalisation of the standards
- 7 Display the measured values
- 8 Possibility to customize the certificate



5. List of standards (Normes) including: DIN 2270 - 0.5 - 0.001, DIN 2270 - 0.8 - 0.001, DIN 882 - 150 mm, DIN 878 - 10 - 0.01, DIN 879 - 0.05 - 0.0005, E 11 - 050 - 12.5 - 0.001, E 11 - 050 - 12.5 - 0.01, E 11 - 050 - 12.5 - 0.01, E 11 - 050 - 5 - 0.001, MIL-STD-105 Type I - 1 inch - 0.0005, NF E 11-050 - 1 - 0.001, NF E 11-050 - 10 - 0.01 - classe, NF E 11 - 050 - 1 - 0.001, NF E 11 - 050 - 10 - 0.01 - classes, NF E 11 - 050 - 10 - 0.01 - classes\_custom.

6. Configuration options for 'Nouvelle norme' (New standard):
 

- Configuration: Erreur, Options d'impression
- Erreur justesse: Montante & descendante
- Erreur locale: Erreur de justesse locale algébrique
- Erreur de fidélité: vmax - vmin
- Moyenne sur: 10 mesures(s)
- Erreur maximum: Erreur justesse: 0, Erreur justesse totale: 0.005, Erreur locale: 0.002, Erreur de fidélité: 0.002, Erreur hystérésis (s): 0
- Fichier classe de précision:

3. Instrument management window showing 'Groupe: LABORATORY' and a list of instruments including Digital Caliper Sylvac 150mm, Digital indicator Sylvac 12.5mm - 0.01, Digital indicator Sylvac 5mm - 0.001, Digital indicator Sylvac 12.5mm - 0.001, Digital indicator Sylvac 25mm - 0.001, Digital indicator Sylvac 25mm - 0.01.

4. Instrument list window for 'LABORATORY' group showing a list of instruments and buttons for 'Renommer instrument' and 'Effacer instrument'.

## TECHNICAL SPECIFICATIONS

		Kit with probe and D50S PRO		Kit with digital indicator	
		809.1303	809.1301	809.1305	809.1304
Measuring range	mm	M3 Kit probe 10 mm	M3 Kit probe 25 mm	M3 Kit S_Dial PRO M3 25 mm	M3 Kit S_Dial PRO M3 50 mm
Max. Error	µm	0.6	0.8	1.0	1.2

# Digital indicator testing stand M3

## BASIC INSTRUMENT

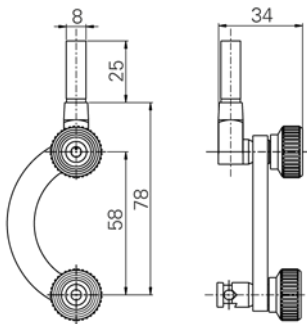
### Kit with probe and D50S PRO

- Stand M3 (909.1300)
- Ceramic bloc gauges
- Thermal protection of the probe reference
- D50S PRO + probe calibrated
- Cable RS232C (925.5609)
- Charging unit according to country (904.4200/01/03/04/05)
- External contact (foot-pedal 904.4101)
- CD- with inspection software SYCOPRO II (981.7124)
- Accessory for lever indicators (909.2010)
- Instruction manual

### Kit with digital indicator

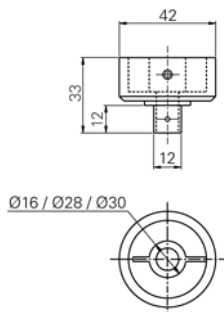
- Stand M3 (909.1300)
- Ceramic bloc gauges
- S\_Dial PRO M3 with special measuring force
- Cable Proximity USB (926.6721)
- External contact (foot-pedal 926.7020)
- CD- with inspection software SYCOPRO II (981.7124)
- Accessory for lever indicators (909.2010)
- Instruction manual

## ACCESSORIES



**909.2010**

Clamping device for test indicator



**909.2011**

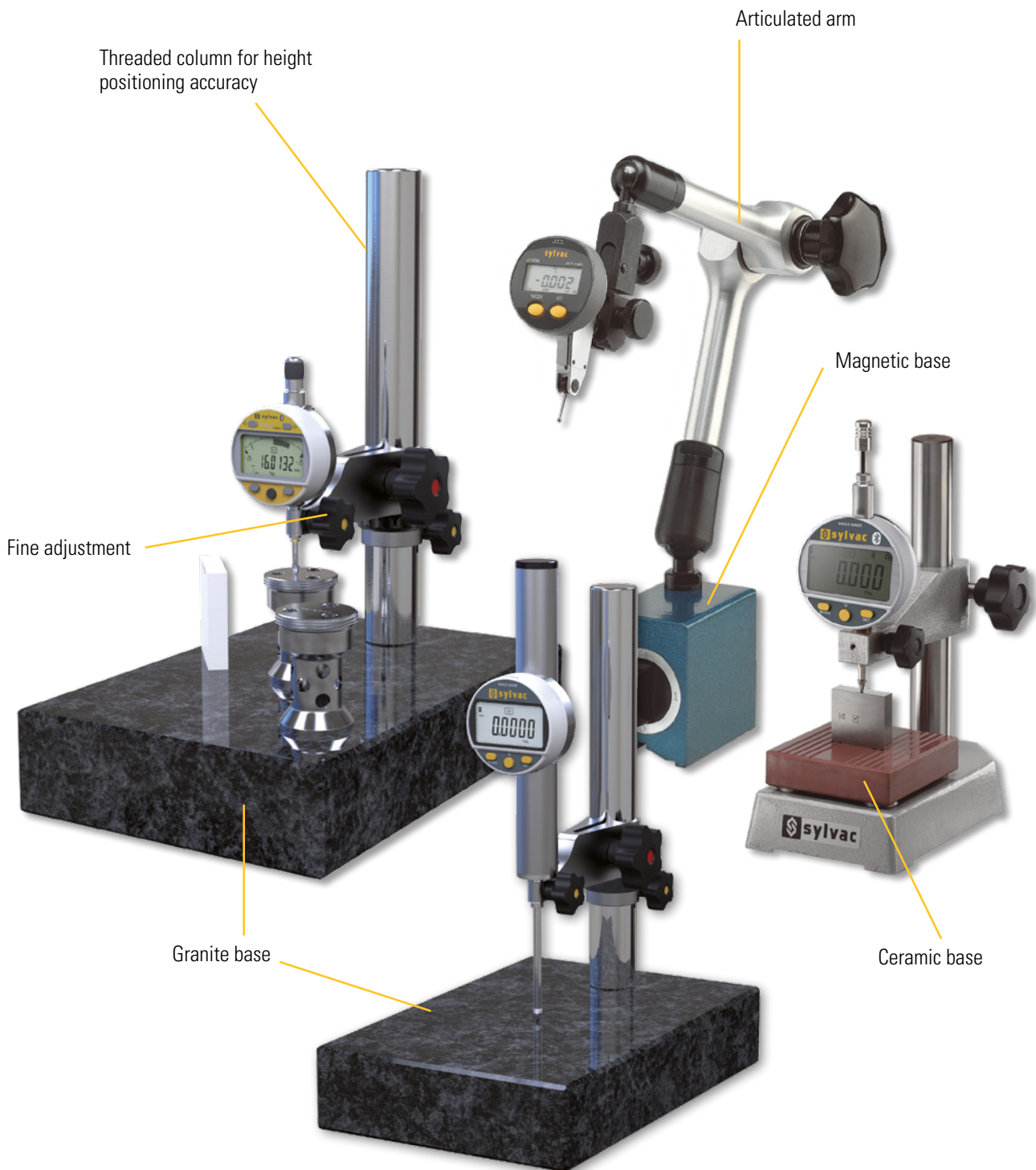
Clamping device for dial gauges  $\varnothing$  16 / 28 / 30 mm

B

# Measuring stands

## DESCRIPTION

- A selection of universal measuring stands for fixing all probes, test indicators and dial gauges
- Clamping on  $\varnothing 8$  mm,  $\varnothing 25$ mm or dovetail on magnetic stand



# Measuring stands

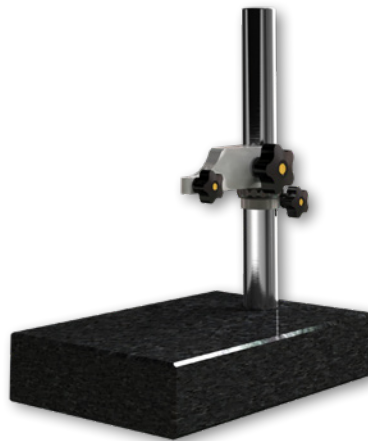
## TECHNICAL SPECIFICATIONS



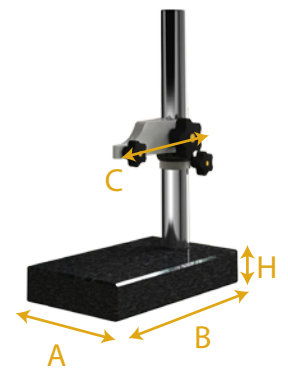
908.1201



908.1209



808.1204



		908.1201	908.1209	908.1207	808.1204	808.1205
Base		magnetic <sup>1)</sup>	Cast iron ceramic table	granit grade 00	granit grade 00	granit grade 00
Base dimensions AxBxH	mm	70x46x65	85x85x25	200x130x40	300x210x60	300x210x60
Central locking		•	---	---	---	---
Column	mm	---	Steel Ø 25	Steel Ø 25	Steel Ø 35	Steel Ø 35
Clamping dimension	mm	Ø 8	Ø 8	Ø 8	Ø 8	Ø 25
Dist. Column.-meas. point. C	mm	---	78	60	115	115
Measuring range	mm	---	0 - 115	---	0 - 260	0 - 260
Total height	mm	430	215	450	360	360
Weight	kg	2.2	4.3	4.3	13.4	13.5
Fine adjustment		---	---	---	•	•

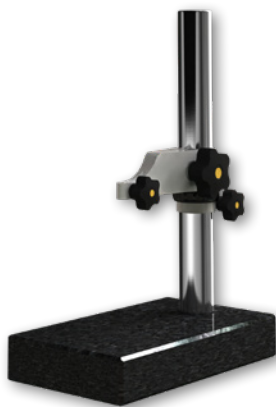
<sup>1)</sup> Gripping coefficient : 600N

B

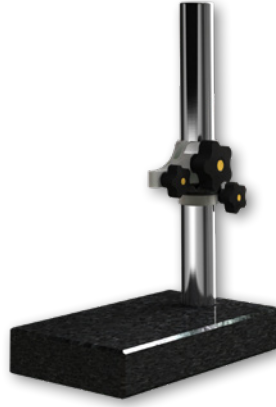
# Measuring stands

## TECHNICAL SPECIFICATIONS

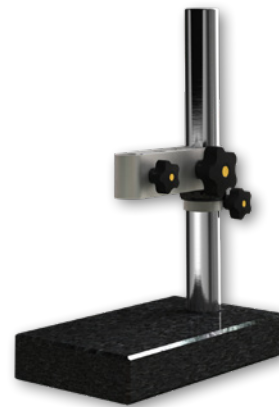
- Superior Swiss Made supports with reinforced column and precision measuring arm ensuring optimal parallelism and rigidity reducing the measurement error due to the carrier. These measuring stands are equipped with a ring allowing fine height adjustment and a 00 grade granite base.



808.1206

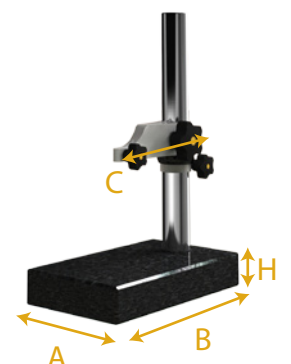


808.1203



808.1202

		808.1206	808.1207	808.1202	808.1203	808.1201
Base		granit grade 00	granit grade 00	granit grade 00	granit grade 00	granit grade 00
Base dimensions AxBxH	mm	150X100X40	150X100X40	240x140x50	240x140x50	240x140x50
Central locking		---	---	---	---	---
Column	mm	Steel Ø 25	Steel Ø 35	Steel Ø 35	Steel Ø 35	Steel Ø 35
Clamping dimension	mm	Ø 8	Ø 8	Ø 25	Ø 8	Ø 8
Dist. Column.-meas. point. C	mm	70	70	115	70	115
Measuring range	mm	0 - 190	0 - 260	0 - 260	0 - 260	0 - 260
Total height	mm	270	340	340	340	340
Weight	kg	2.9	4.3	6.6	6.5	6.6
Fine adjustment		•	•	•	•	•



# CALIPERS

---

In 1981, Sylvac launched the first caliper with digital read-out on the market. Quickly, other models followed and the market of these handtools took an incredible rise.

Today, Sylvac remains a leader in this market and offers a range of calipers with digital read-out of a measurement capacity from 150 to 3000 mm.

**Sylvac inductive measuring system (patented)**

**Data output**

**Power supply: Lithium battery 3V, Type CR 2032**

**Operational temperature: +5 to +40°C**

**mm/inch selection**



# Caliper

# S\_Cal EVO

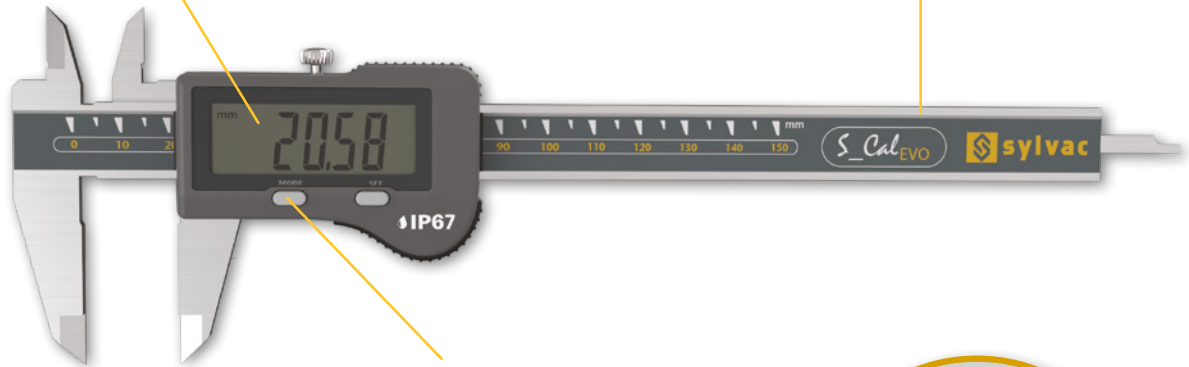
## DESCRIPTION

## STANDARD

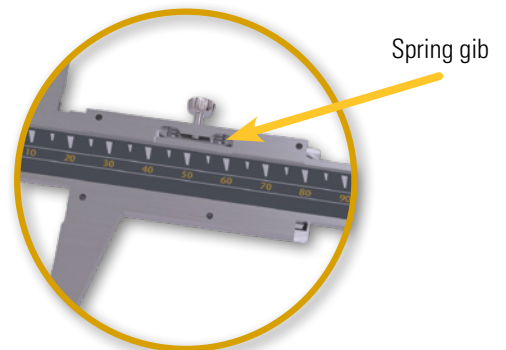
- **Standard professional caliper with protection IP67**
- New extra-large display
- Without output data
- Automatic wake-up by moving the electronic on his frame. (Absolute System S.I.S)
- Sleeping mode after 10 min. of no use. (Absolute System S.I.S)
- Position memorized in sleeping mode, **Absolute System S.I.S\***
- Maximum speed of displacement : 2.5 m/sec
- Mechanical frame in stainless steel, hardened and grinded
- Great comfort of use thanks to its ergonomic frame
- Thumb wheel on request (see accessories)

Digital display LCD,  
Height of digits 11.5 mm

Thickness of frame 3.5 mm



Simple and intuitive  
functions



Spring gib

Sliding mechanism

SIS Smart  
Inductive  
System

WATER RESISTANT

IP67

Protection rating IP67 !

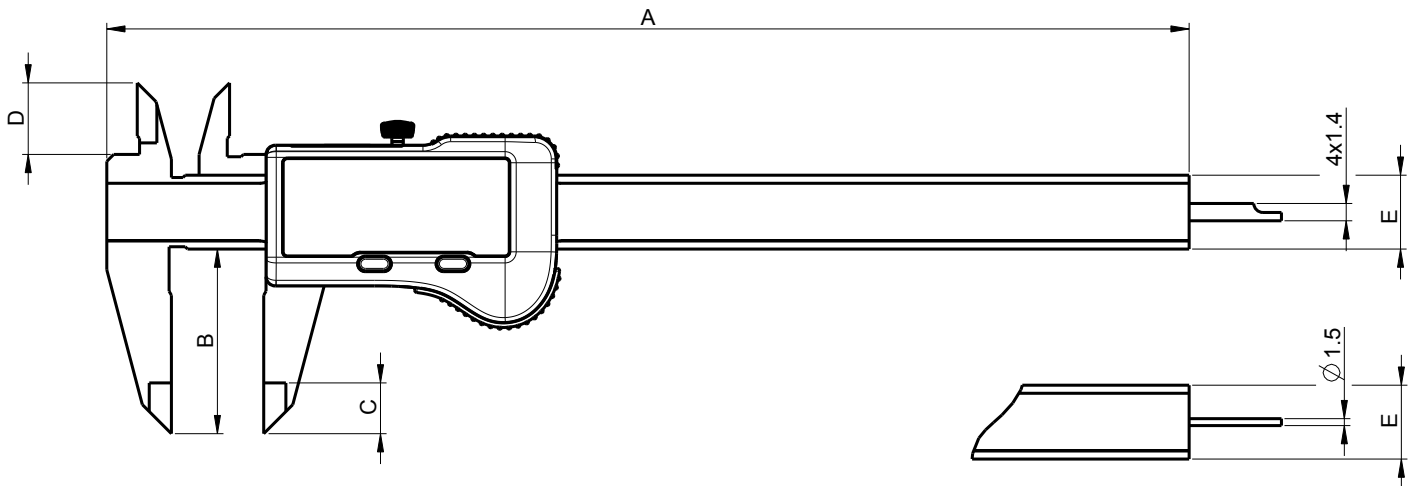
\* SIS Smart Inductive System description on page 5

# Caliper

# S\_Cal EVO

DIMENSIONAL DRAWING

STANDARD



## TECHNICAL SPECIFICATIONS

		810.1502	810.1507	810.1522	810.1532
Measuring range	mm	150	150	200	300
Max. Error G	µm	20 <sup>1)</sup>	20 <sup>1)</sup>	30	30
A	mm	234.5	234.5	290.5	388
B	mm	40	40	50	64
C	mm	11	11	14	14
D	mm	16	16	19	19
E	mm	16 x 3.5	16 x 3.5	16 x 3.5	16 x 4
Depth rod	mm	■ 4 x 1.4	Ø 1.5	■ 4 x 1.4	---
Protection rating according to IEC 60529		IP67			
Functions		Zero setting, Preset (max 999.99), mm/inch, Hold			
Smart Inductive Sensor		●			

<sup>1)</sup> > 100 mm : 30 µm / DIN 862



# Caliper

# S\_Cal EVO

## DESCRIPTION

## PROXIMITY

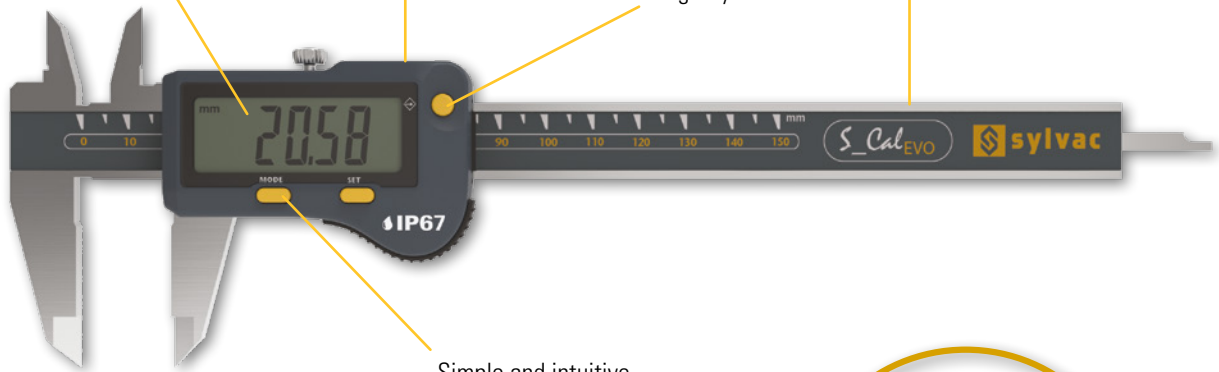
- Standard professional caliper with protection IP67
- **Proximity data output**
- New extra-large display
- Programmable button with a function of choice
- Automatic wake-up by moving the electronic on his frame. (Absolute System S.I.S)
- Sleeping mode after 10 min. of no use. (Absolute System S.I.S)
- Position memorized in sleeping mode, **Absolute System S.I.S\***
- Maximum speed of displacement : 2.5 m/sec
- Mechanical frame in stainless steel, hardened and grinded
- Great comfort of use thanks to its ergonomic frame
- Thumb wheel on request (see accessories)

Digital display LCD,  
Height of digits 11.5 mm

Output cable Proximity to  
USB (926.6721) or RS232  
(926.6723)

Thickness of frame 3.5 mm

Programmable button  
according to your needs



Simple and intuitive  
functions



Proximity cable

PROXIMITY

SIS | Smart  
Inductive  
System

WATER RESISTANT

IP67

## Proximity version

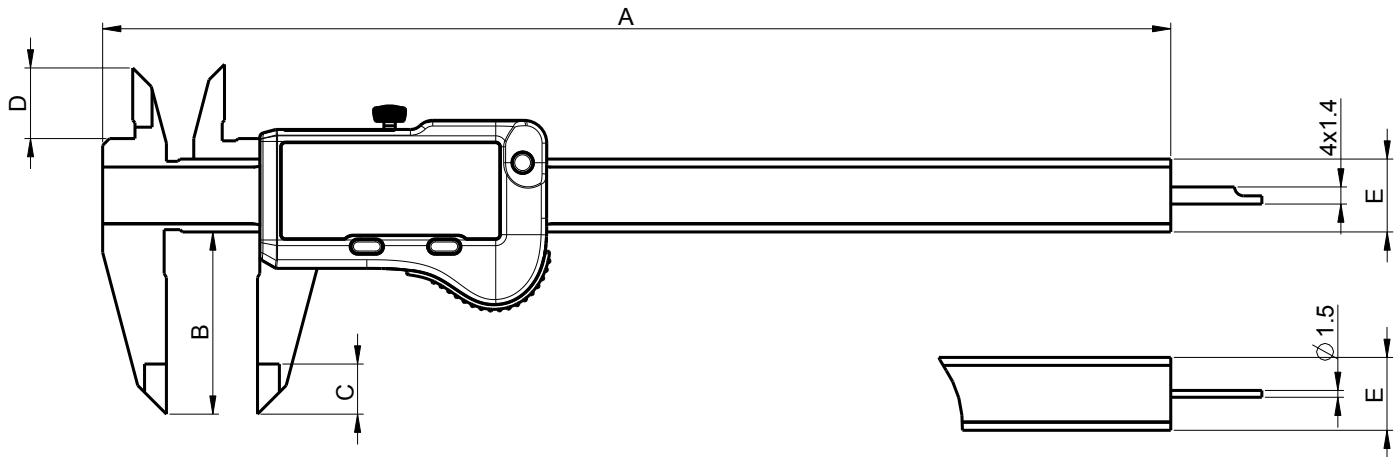
\* SIS | Smart Inductive System description on page 5

# Caliper

# S\_Cal EVO

## DIMENSIONAL DRAWING

## PROXIMITY



## TECHNICAL SPECIFICATIONS

		810.1702	810.1707	810.1722	810.1732
Measuring range	mm	150	150	200	300
Max. Error G	µm	20 <sup>1)</sup>	20 <sup>1)</sup>	30	30
A	mm	234.5	234.5	290.5	388
B	mm	40	40	50	64
C	mm	11	11	14	14
D	mm	16	16	19	19
E	mm	16 x 3.5	16 x 3.5	16 x 3.5	16 x 4
Depth rod	mm	■ 4 x 1.4	∅ 1.5	■ 4 x 1.4	---
Protection rating according to IEC 60529		IP67			
Functions		Zero setting, Preset (max 999.99), mm/inch, Hold			
Output data		USB / RS232 <sup>2)</sup>			
Smart Inductive Sensor		●			

<sup>1)</sup> > 100 mm : 30 µm / DIN 862

<sup>2)</sup> see cables chapter

# Caliper

# S\_Cal EVO $\mu$ m

## DESCRIPTION

## PROXIMITY MICRON

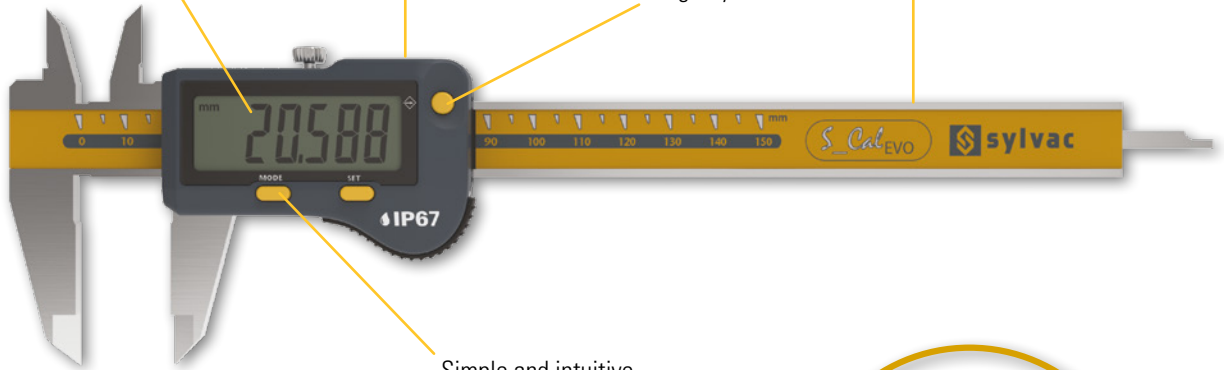
- Standard professional caliper with protection IP67
- **Proximity data output**
- **New extra-large micron display**
- Programmable button with a function of choice
- Automatic wake-up by moving the electronic on his frame. (Absolute System S.I.S)
- Sleeping mode after 10 min. of no use. (Absolute System S.I.S)
- Position memorized in sleeping mode, **Absolute System S.I.S\***
- Maximum speed of displacement : 2.5 m/sec
- Mechanical frame in stainless steel, hardened and grinded
- Great comfort of use thanks to its ergonomic frame
- Thumb wheel on request (see accessories)

Digital display LCD,  
Height of digits 11.5 mm

Output cable Proximity to  
USB (926.6721) or RS232  
(926.6723)

Thickness of frame 3.5 mm

Programmable button  
according to your needs



Simple and intuitive  
functions



Proximity cable

PROXIMITY

SIS Smart  
Inductive  
System

WATER RESISTANT

IP67

**Version Proximity micron  
4 $\mu$ m repeatability**

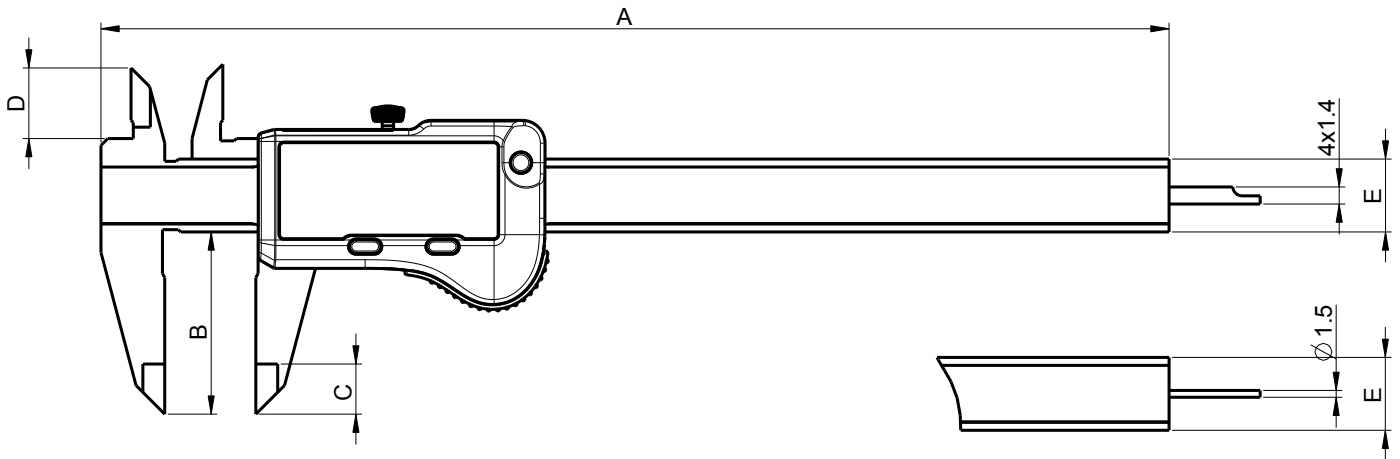
\* SIS description on page 5

# Caliper

# S\_Cal EVO $\mu\text{m}$

DIMENSIONAL DRAWING

PROXIMITY MICRON



## TECHNICAL SPECIFICATIONS

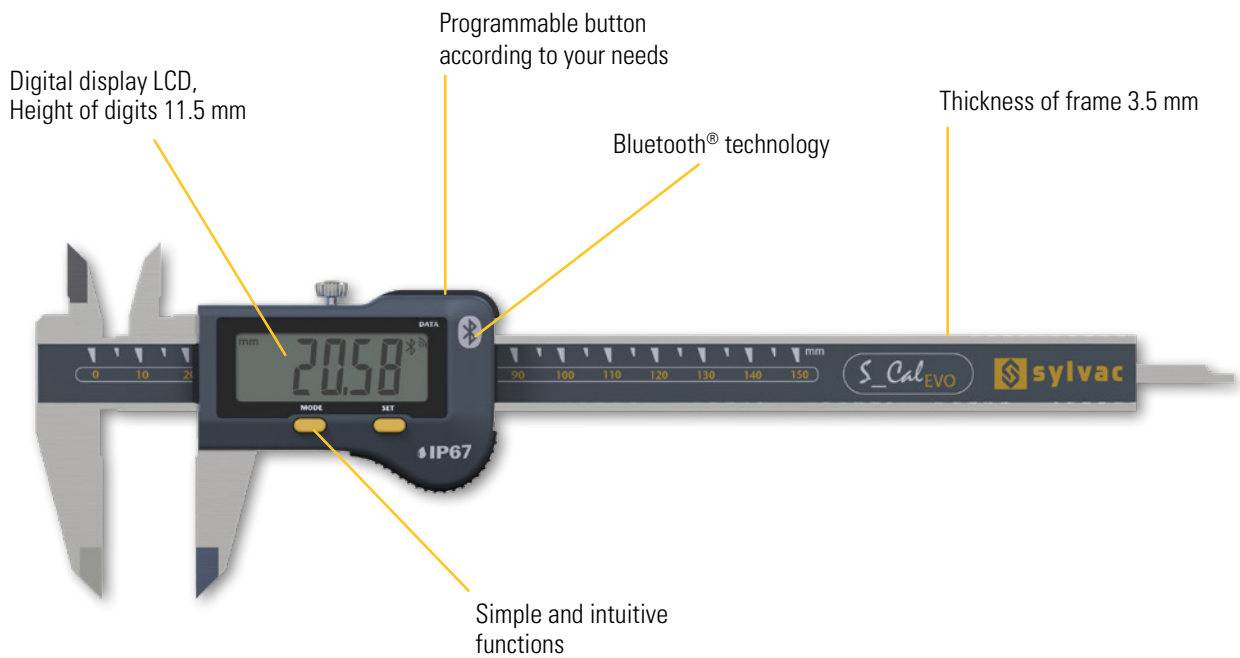
		810.9702	810.9707
Measuring range	mm	150	150
Max. Error G	$\mu\text{m}$	15 <sup>1)</sup>	15 <sup>1)</sup>
Resolution	mm	0.001	
A	mm	234.5	234.5
B	mm	40	40
C	mm	11	11
D	mm	16	16
E	mm	— 16 x 3.5	— 16 x 3.5
Depth rod	mm	4 x 1.4	$\varnothing$ 1.5
Functions	Zero setting, Preset (max 99.999), mm/inch, Hold		
Protection rating according to IEC 60529	IP67		
Output data	USB / RS232 <sup>2)</sup>		
Smart Inductive Sensor	●		

<sup>1)</sup> < 100 mm : 15  $\mu\text{m}$  / > 100 mm : 30  $\mu\text{m}$  / DIN 862

<sup>2)</sup> see cables chapter

- **Integrated Bluetooth® wireless technology**

- New extra-large display
- Programmable button according to your needs
- Water protected for heavy-duty work with coolants and lubricants, protection rating IP67 according to IEC 60529,
- Automatic wake-up by moving the electronic on his frame. (Absolute System S.I.S)
- Sleeping mode after 10 min. of no use. (Absolute System S.I.S)
- Position memorized in sleeping mode, **Absolute System S.I.S\***
- Maximum speed of displacement : 2.5 m/sec
- Mechanical frame in stainless steel, hardened and grinded
- Great comfort of use thanks to its ergonomic frame
- Thumb wheel on request (see accessories)



## Bluetooth® wireless technology and IP67 protection rating!



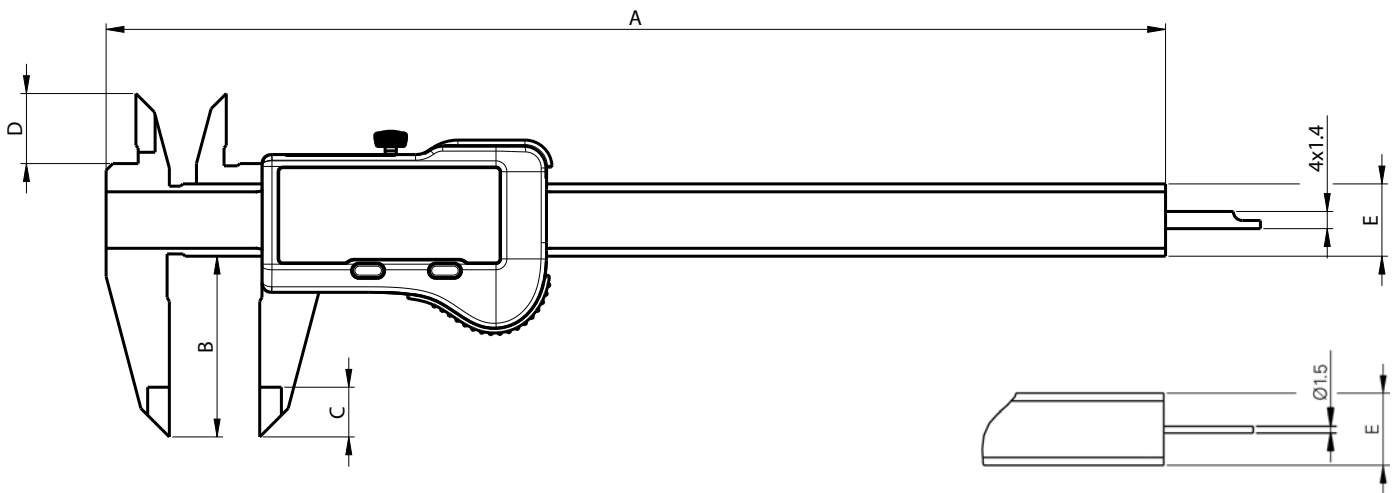
\* SIS description on page 5

# Caliper

# S\_Cal EVO

## DIMENSIONAL DRAWING

## SMART



## TECHNICAL SPECIFICATIONS

		810.1506	810.1516	810.1526	810.1536
Measuring range	mm	150	150	200	300
Max. Error G	µm	20 <sup>1)</sup>	20 <sup>1)</sup>	30	30
A	mm	234.5	234.5	290.5	388
B	mm	40	40	50	64
C	mm	11	11	14	14
D	mm	16	16	19	19
E	mm	16 x 3.5	16 x 3.5	16 x 3.5	16 x 4
Depth rod	mm	■ 4 x 1.4	Ø 1.5	■ 4 x 1.4	---
Protection rating according to IEC 60529		IP67			
Output data		Bluetooth® wireless technology*			
Functions		Zero setting, Preset (max 999.99), mm/inch, Hold, Data			
Smart Inductive Sensor		●			

<sup>1)</sup> > 100 mm : 30 µm / DIN 862

\* Up to 8 instruments connected per dongle #981.7100  
More informations on How to use Bluetooth® leaflet SYL\_1401\_EN\_BT

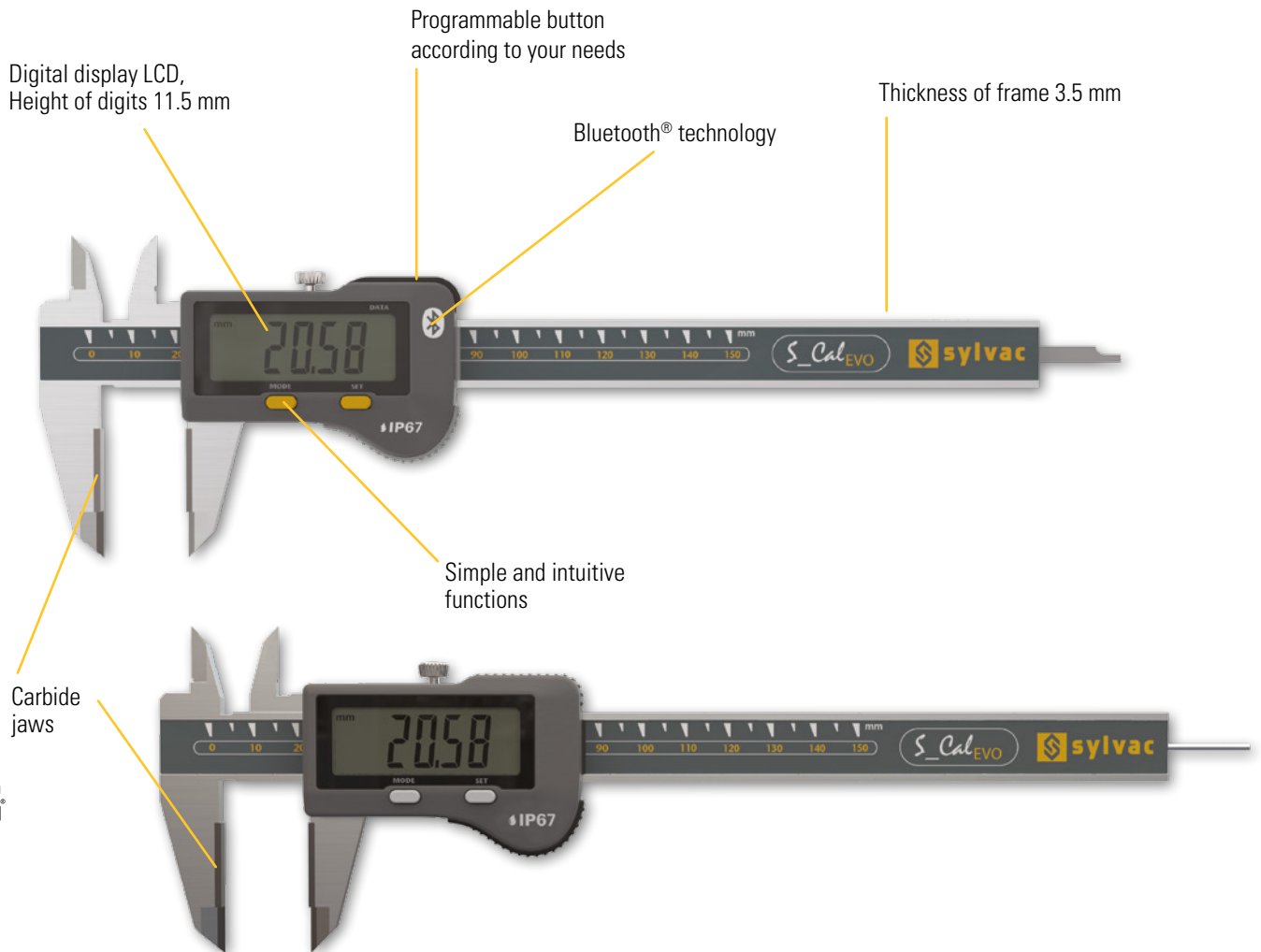
# Caliper

# S\_Cal EVO

## DESCRIPTION

CARBIDE

- **Integrated Bluetooth® wireless technology (depends on model)**
- **Carbide jaws**
- New extra-large display
- Programmable button according to your needs (depends on model)
- Automatic wake-up by moving the electronic on his frame. (Absolute System S.I.S)
- Sleeping mode after 10 min. of no use. (Absolute System S.I.S)
- Position memorized in sleeping mode, **Absolute System S.I.S\***
- Maximum speed of displacement : 2.5 m/sec
- Mechanical frame in stainless steel, hardened and grinded
- Great comfort of use thanks to its ergonomic frame
- Thumb wheel on request (see accessories)



**SIS** Smart Inductive System



**IP67**

**Carbide jaws**

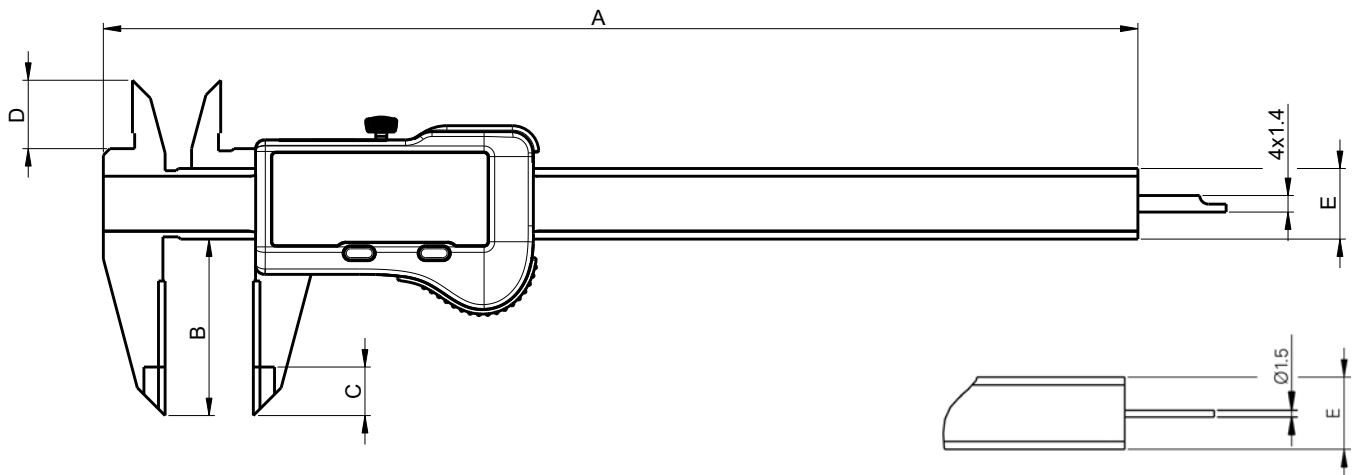
\* SIS description on page 5

# Caliper

# S\_Cal EVO

DIMENSIONAL DRAWING

CARBIDE



## TECHNICAL SPECIFICATIONS

		810.1409	810.1509
Measuring range	mm	150	150
Max. Error G	µm	20 <sup>1)</sup>	20 <sup>1)</sup>
A	mm	234.5	234.5
B	mm	40	40
C	mm	11	11
D	mm	16	16
E	mm	16 x 3.5	16 x 3.5
Depth rod	mm	Ø 1.5	4 x 1.4
Protection rating according to IEC 60529		IP67	IP67
Output data		-	Bluetooth® wireless technology*
Functions		Zero setting, Preset (max 999.99), mm/inch, Hold, Data	
Smart Inductive Sensor		●	

<sup>1)</sup> > 100 mm : 30 µm / DIN 862

\* see cables chapter

**\* Up to 8 instruments connected per dongle #981.7100**  
More informations on How to use Bluetooth® leaflet SYL\_1401\_EN\_BT



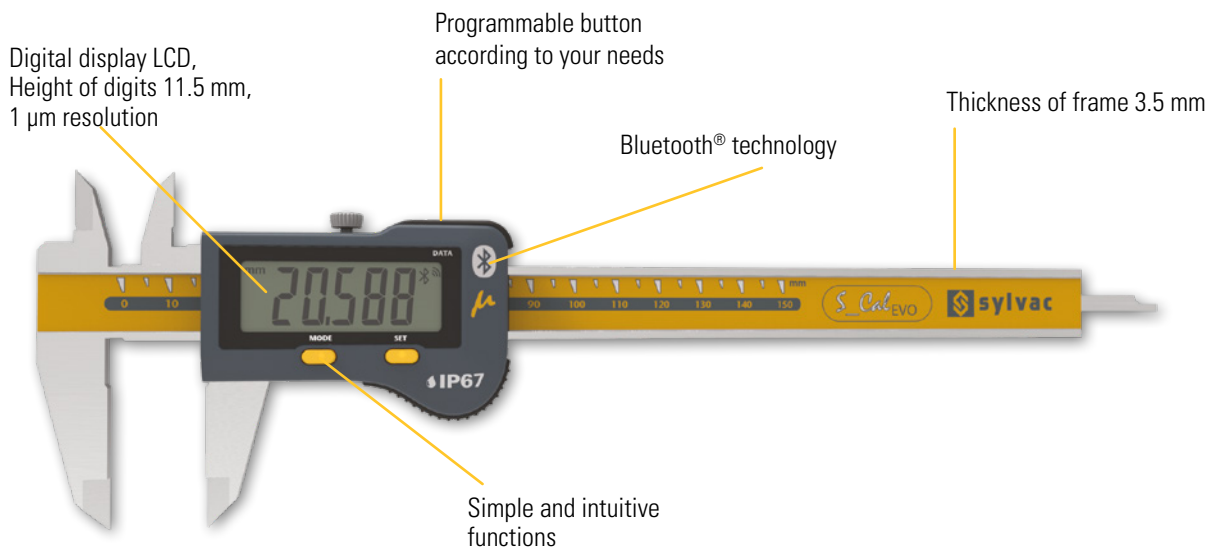
# Micron Caliper

# S\_Cal EVO

## DESCRIPTION

## SMART MICRON

- **Integrated Bluetooth® wireless technology**
- New extra-large micron display
- Programmable button according to your needs
- Water protected for heavy-duty work with coolants and lubricants, protection rating IP67 according to IEC 60529,
- Automatic wake-up by moving the electronic on his frame. (Absolute System S.I.S)
- Sleeping mode after 10 min. of no use. (Absolute System S.I.S)
- Position memorized in sleeping mode, **Absolute System S.I.S\***
- Maximum speed of displacement : 2.5 m/sec
- Mechanical frame in stainless steel, hardened and grinded
- Great comfort of use thanks to its ergonomic frame
- Thumb wheel on request (see accessories)



**SIS** Smart Inductive System



**IP67**

**4µm repeatability**



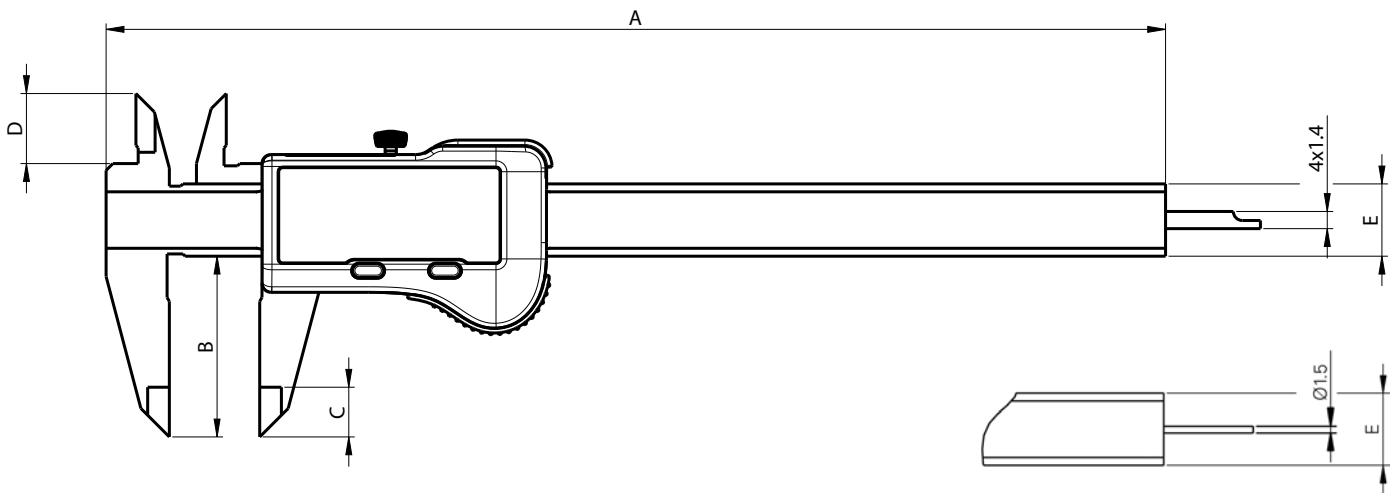
\* SIS description on page 5

# Micron Caliper

# S\_Cal EVO

DIMENSIONAL DRAWING

SMART MICRON



## TECHNICAL SPECIFICATIONS

		810.9506	810.9516
Measuring range	mm	150	150
Max. Error G	$\mu\text{m}$	15 <sup>1)</sup>	15 <sup>1)</sup>
Resolution	mm	0.001	
A	mm	234.5	234.5
B	mm	40	40
C	mm	11	11
D	mm	16	16
E	mm	16 x 3.5	16 x 3.5
Depth rod	mm	— 4 x 1.4	$\varnothing 1.5$
Protection rating according to IEC 60529		IP67	IP67
Output data		Bluetooth® wireless technology*	
Functions		Zero setting, Preset (max 999.99), mm/inch, Hold, Data	
Smart Inductive Sensor		●	

<sup>1)</sup> < 100 mm: 15  $\mu\text{m}$  / > 100 mm : 30  $\mu\text{m}$  / DIN 862

\* Up to 8 instruments connected per dongle #981.7100  
More informations on How to use Bluetooth® leaflet SYL\_1401\_EN\_BT

# Special caliper

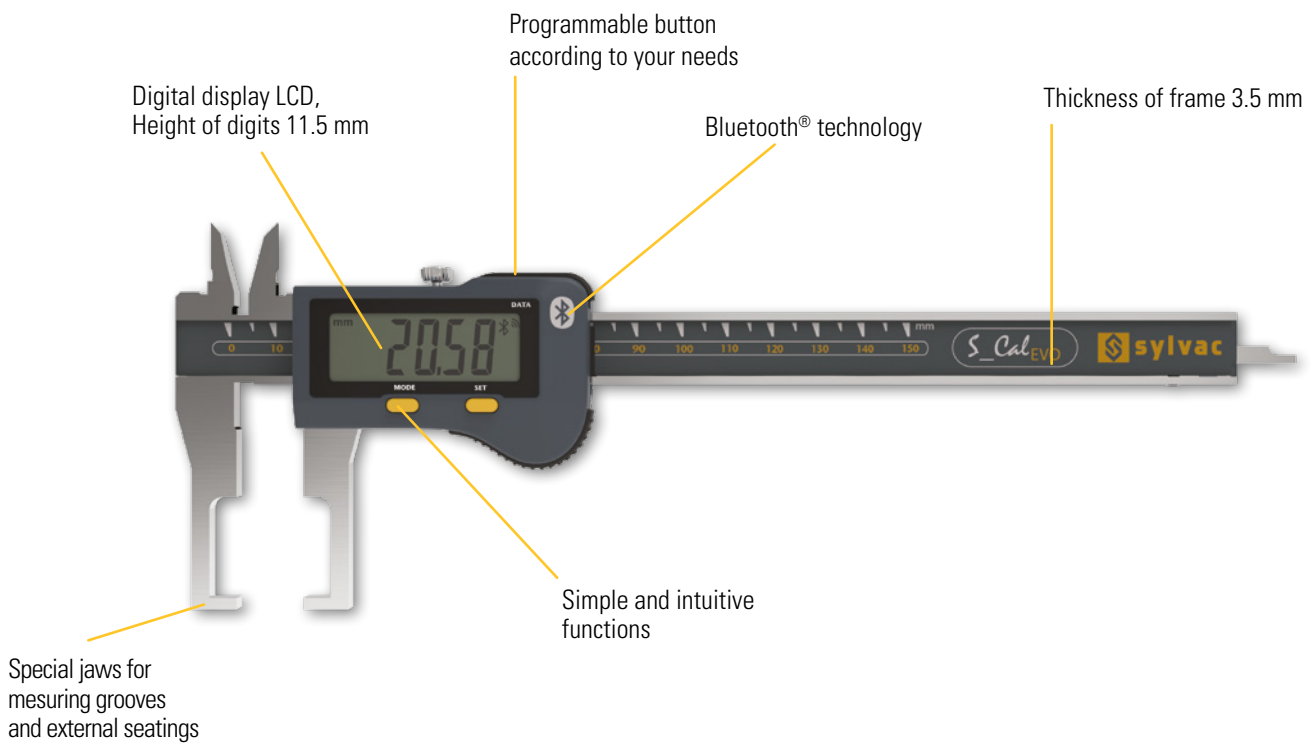
# S\_Cal EVO

## DESCRIPTION

## SMART EXTERNAL GROOVE

- **Integrated Bluetooth® wireless technology**

- Special jaws for measuring grooves and external seatings
- Programmable button according to your needs
- Water protected for heavy-duty work with coolants and lubricants, protection rating IP67 according to IEC 60529,
- Automatic wake-up by moving the electronic on his frame. (Absolute System S.I.S)
- Sleeping mode after 10 min. of no use. (Absolute System S.I.S)
- Position memorized in sleeping mode, **Absolute System S.I.S\***
- Maximum speed of displacement : 2.5 m/sec
- Mechanical frame in stainless steel, hardened and grinded
- Great comfort of use thanks to its ergonomic frame



**SIS** Smart Inductive System

## For measuring grooves and external seatings



**IP67**

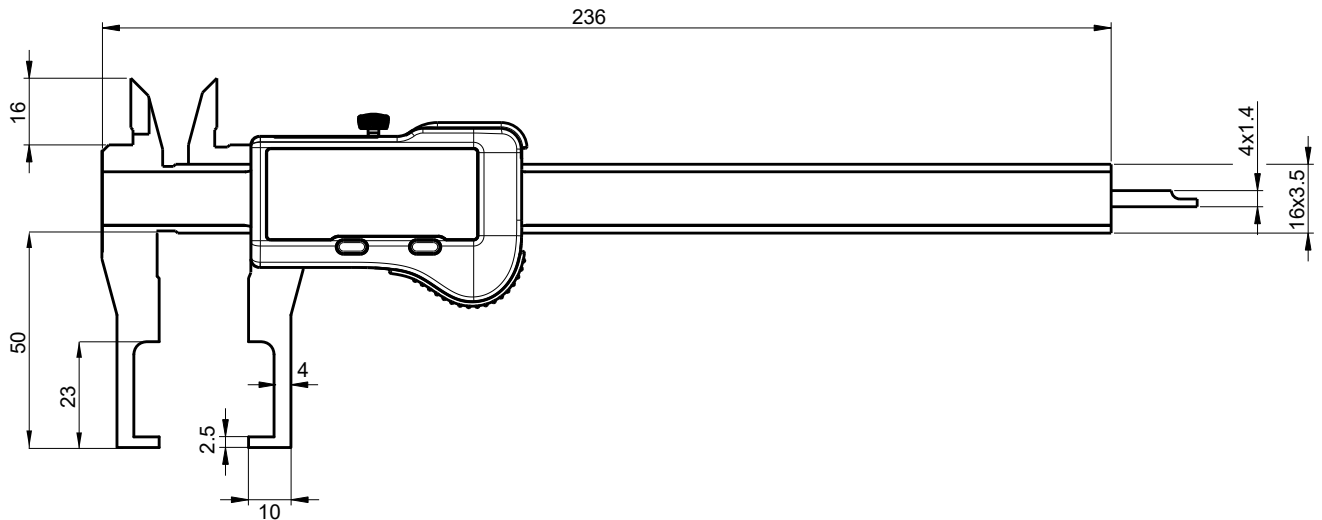
\* SIS description on page 5

# Special caliper

# S\_Cal EVO

DIMENSIONAL DRAWING

SMART EXTERNAL GROOVE



C

## TECHNICAL SPECIFICATIONS

		810.1602
Measuring range	mm	150
Max. Error G	µm	20 <sup>1)</sup>
Depth rod	mm	■ 4 x 1.4
Protection rating according to IEC 60529		IP67
Output data		Bluetooth® wireless technology*
Functions		Zero setting, Preset (max 999.99), mm/inch, Hold, Data
Smart Inductive Sensor		●

<sup>1)</sup> > 100 mm : 30 µm / DIN 862

**\* Up to 8 instruments connected per dongle #981.7100**  
 More informations on How to use Bluetooth® leaflet SYL\_1401\_EN\_BT

# Special caliper

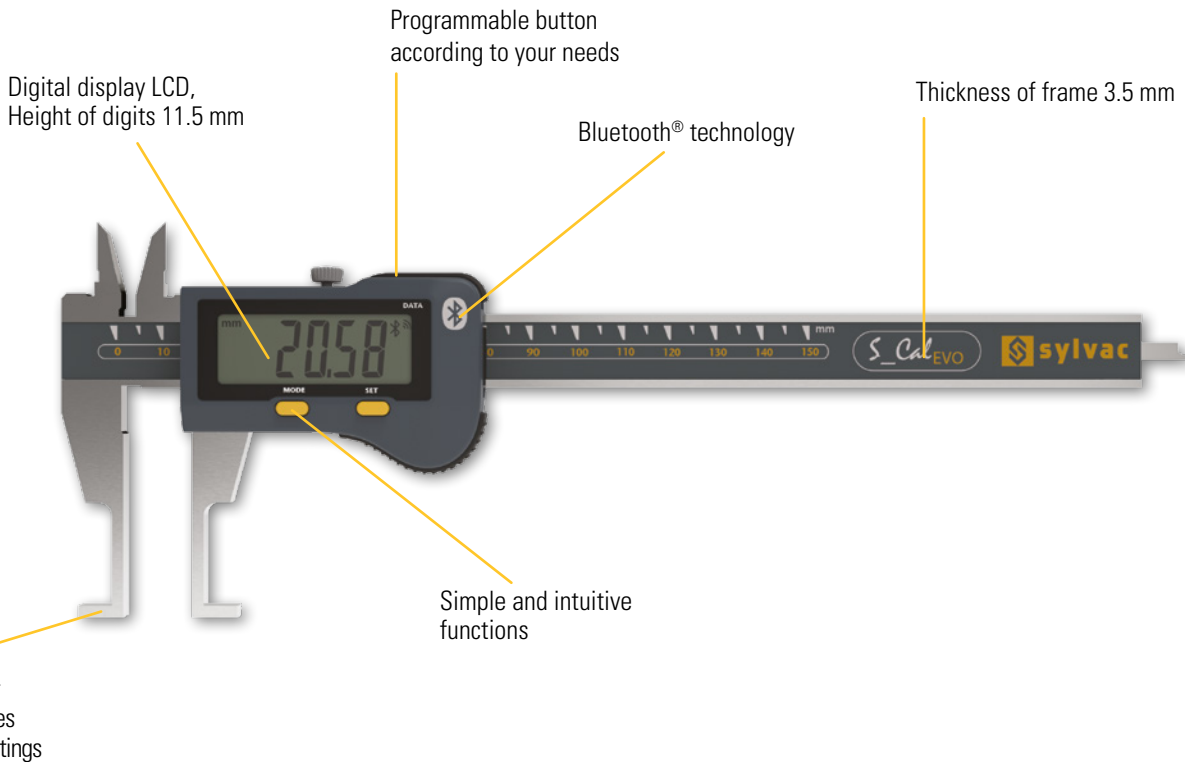
# S\_Cal EVO

## DESCRIPTION

## SMART INTERNAL GROOVE

- **Integrated Bluetooth® wireless technology**

- Special jaws for measuring grooves and internal seatings
- Programmable button according to your needs
- Water protected for heavy-duty work with coolants and lubricants, protection rating IP67 according to IEC 60529,
- Automatic wake-up by moving the electronic on his frame. (Absolute System S.I.S)
- Sleeping mode after 10 min. of no use. (Absolute System S.I.S)
- Position memorized in sleeping mode, **Absolute System S.I.S\***
- Maximum speed of displacement : 2.5 m/sec
- Mechanical frame in stainless steel, hardened and grinded
- Great comfort of use thanks to its ergonomic frame



**SIS** Smart Inductive System

## For measuring grooves and internal seatings



**IP67**

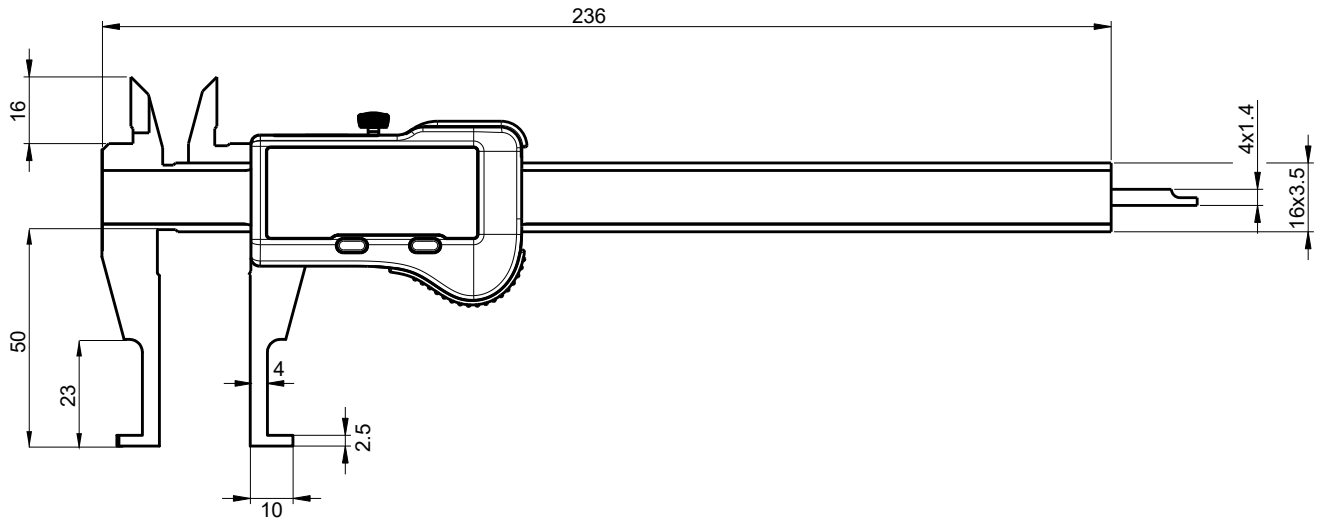
\* SIS description on page 5

# Special caliper

# S\_Cal EVO

## DIMENSIONAL DRAWING

## SMART INTERNAL GROOVE



C

## TECHNICAL SPECIFICATIONS

		810.1600
Measuring range	mm	150
Max. Error G	µm	20 <sup>1)</sup>
Depth rod	mm	— 4 x 1.4
Protection rating according to IEC 60529		IP67
Output data		Bluetooth® wireless technology*
Functions		Zero setting, Preset (max 999.99), mm/inch, Hold, Data
Smart Inductive Sensor		●

<sup>1)</sup> > 100 mm : 30 µm / DIN 862

**\* Up to 8 instruments connected per dongle #981.7100**  
**More informations on How to use Bluetooth® leaflet SYL\_1401\_EN\_BT**

# Special caliper

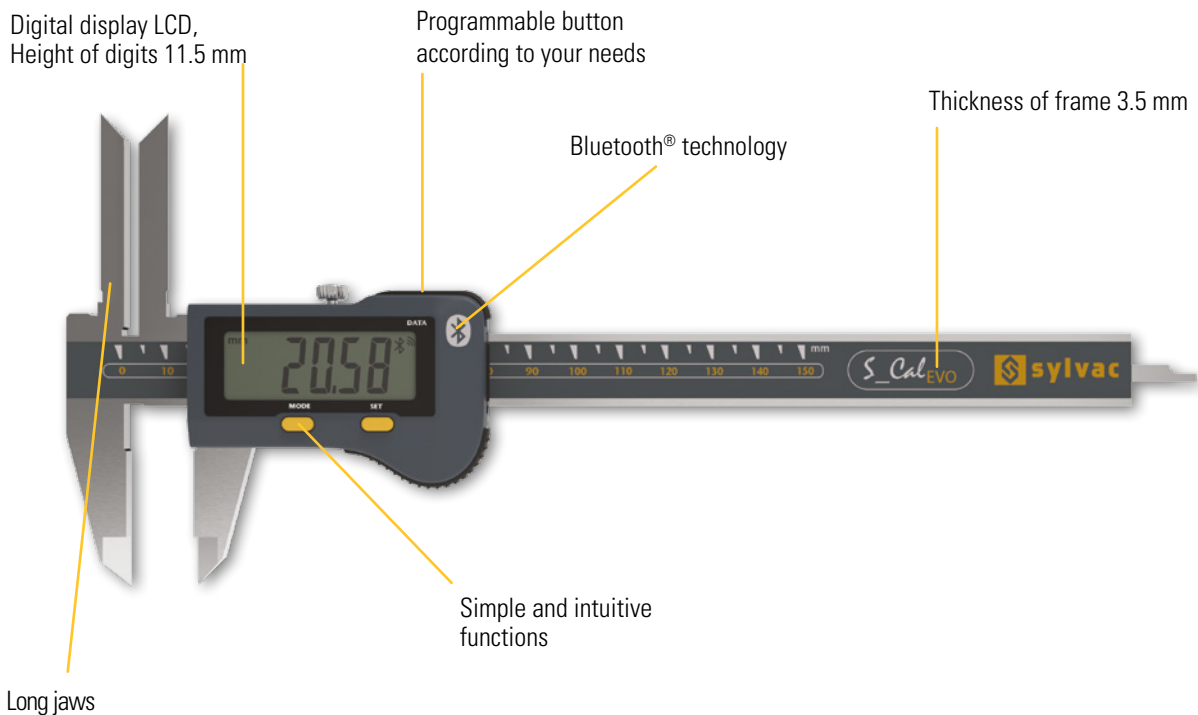
# S\_Cal EVO

## DESCRIPTION

## SMART DEEP MEASUREMENT

- **Integrated Bluetooth® wireless technology**

- Long internal jaws for deep measurements
- Programmable button according to your needs
- Water protected for heavy-duty work with coolants and lubricants, protection rating IP67 according to IEC 60529,
- Automatic wake-up by moving the electronic on his frame. (Absolute System S.I.S)
- Sleeping mode after 10 min. of no use. (Absolute System S.I.S)
- Position memorized in sleeping mode, **Absolute System S.I.S\***
- Maximum speed of displacement : 2.5 m/sec
- Mechanical frame in stainless steel, hardened and grinded
- Great comfort of use thanks to its ergonomic frame



\* SIS description on page 5

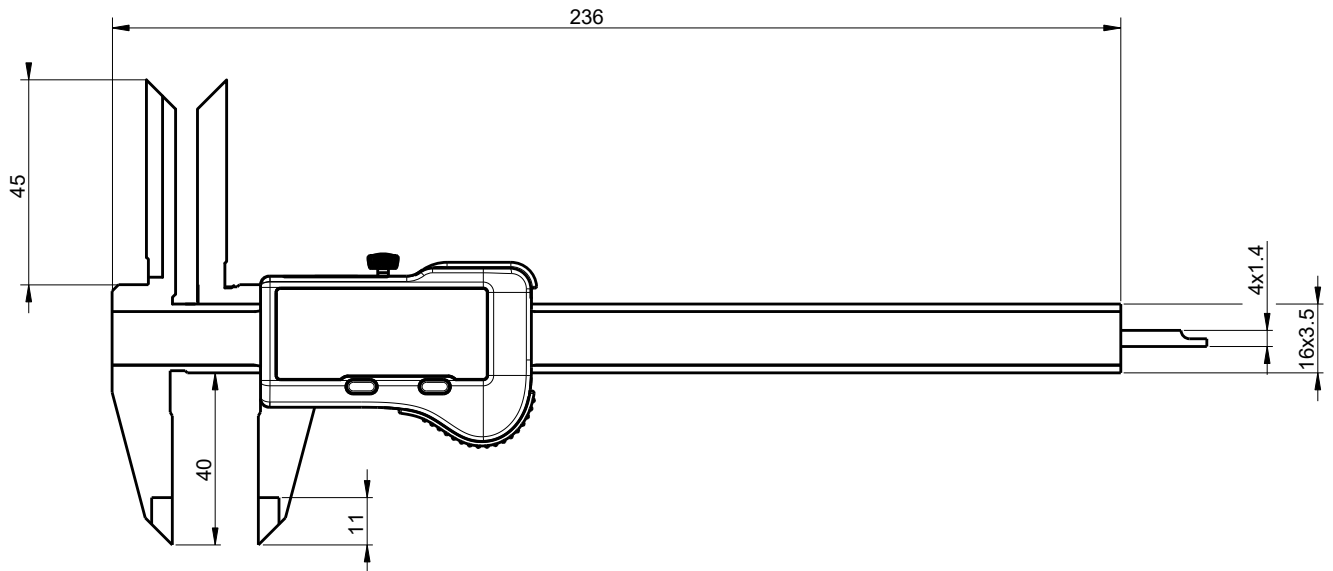
## Long internal jaws for deep measurements

# Special caliper

# S\_Cal EVO

## DIMENSIONAL DRAWING

## SMART DEEP MEASUREMENT



## TECHNICAL SPECIFICATIONS

		810.1603
Measuring range	mm	150
Max. Error G	µm	20 <sup>1)</sup>
Depth rod	mm	4 x 1.4
Protection rating according to IEC 60529		IP67
Output data		Bluetooth® wireless technology*
Functions		Zero setting, Preset (max 999.99), mm/inch, Hold, Data
Smart Inductive Sensor		●

<sup>1)</sup> > 100 mm : 30 µm / DIN 862

**\* Up to 8 instruments connected per dongle #981.7100**  
 More informations on How to use Bluetooth® leaflet SYL\_1401\_EN\_BT



# Special caliper

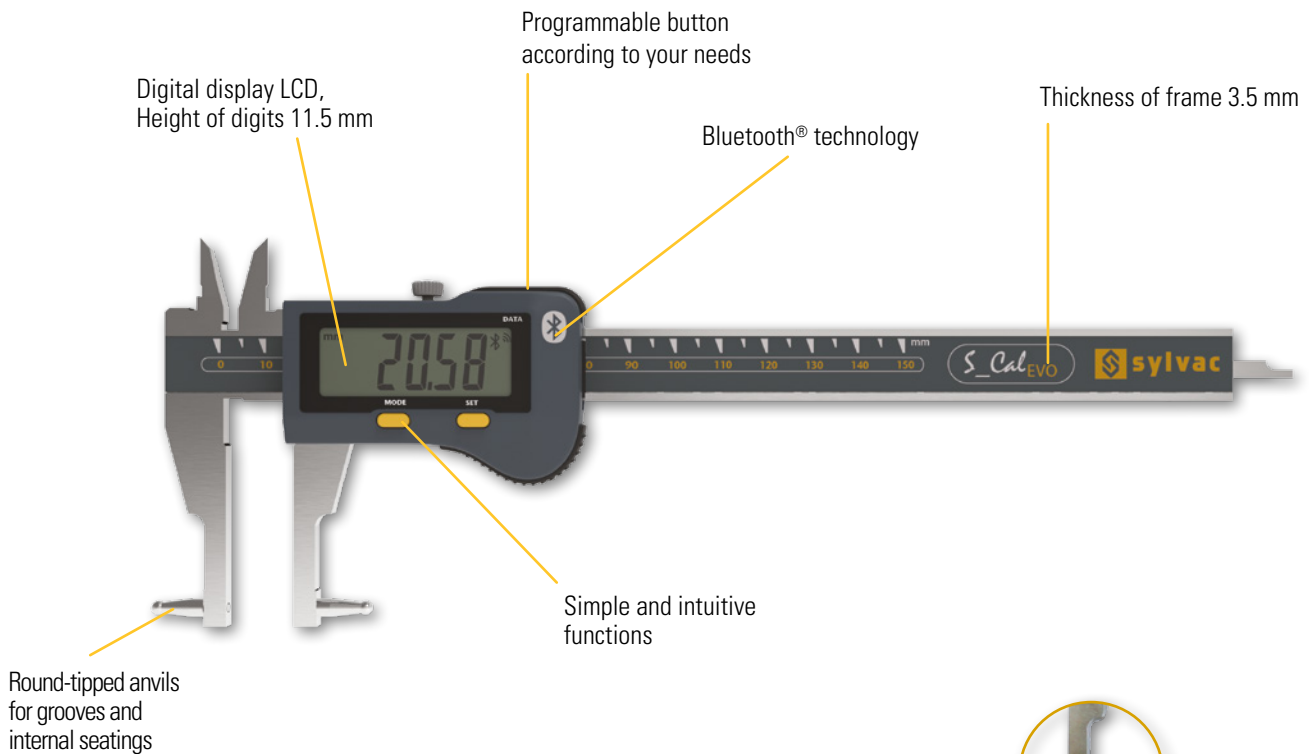
# S\_Cal EVO

## DESCRIPTION

## SMART POINTS JAWS

- **Integrated Bluetooth® wireless technology**

- Interchangeable round polished anvils for measuring internal grooves
- Programmable button according to your needs
- Water protected for heavy-duty work with coolants and lubricants, protection rating IP67 according to IEC 60529,
- Automatic wake-up by moving the electronic on his frame. (Absolute System S.I.S)
- Sleeping mode after 10 min. of no use. (Absolute System S.I.S)
- Position memorized in sleeping mode, **Absolute System S.I.S\***
- Maximum speed of displacement : 2.5 m/sec
- Mechanical frame in stainless steel, hardened and grinded
- Great comfort of use thanks to its ergonomic frame



M2.5



## Interchangeable anvils



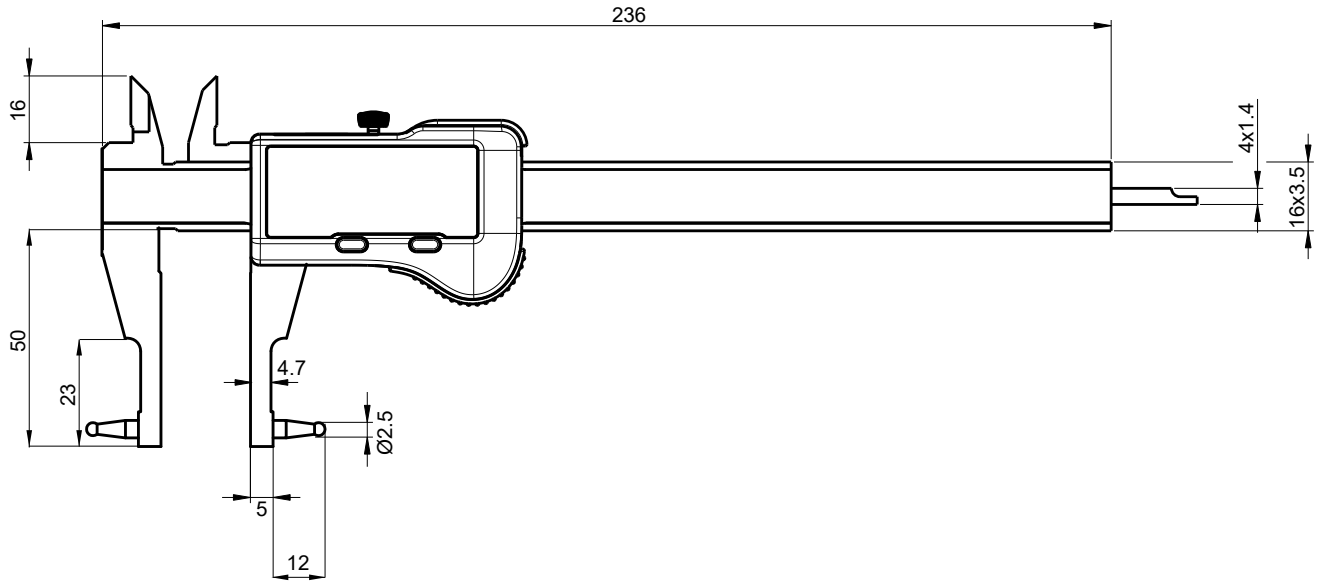
\* SIS description on page 5

# Special caliper

# S\_Cal EVO

DIMENSIONAL DRAWING

SMART POINTS JAWS



C

## TECHNICAL SPECIFICATIONS

		810.1601
Measuring range	mm	150
Max. Error G	µm	20 <sup>1)</sup>
Depth rod	mm	4 x 1.4
Protection rating according to IEC 60529		IP67
Output data		Bluetooth® wireless technology*
Functions		Zero setting, Preset (max 999.99), mm/inch, Hold, Data
Smart Inductive Sensor		●

<sup>1)</sup> > 100 mm : 30 µm / DIN 862

**\* Up to 8 instruments connected per dongle #981.7100**  
 More informations on How to use Bluetooth® leaflet SYL\_1401\_EN\_BT



Partkey to screw/unscrew  
the anvils

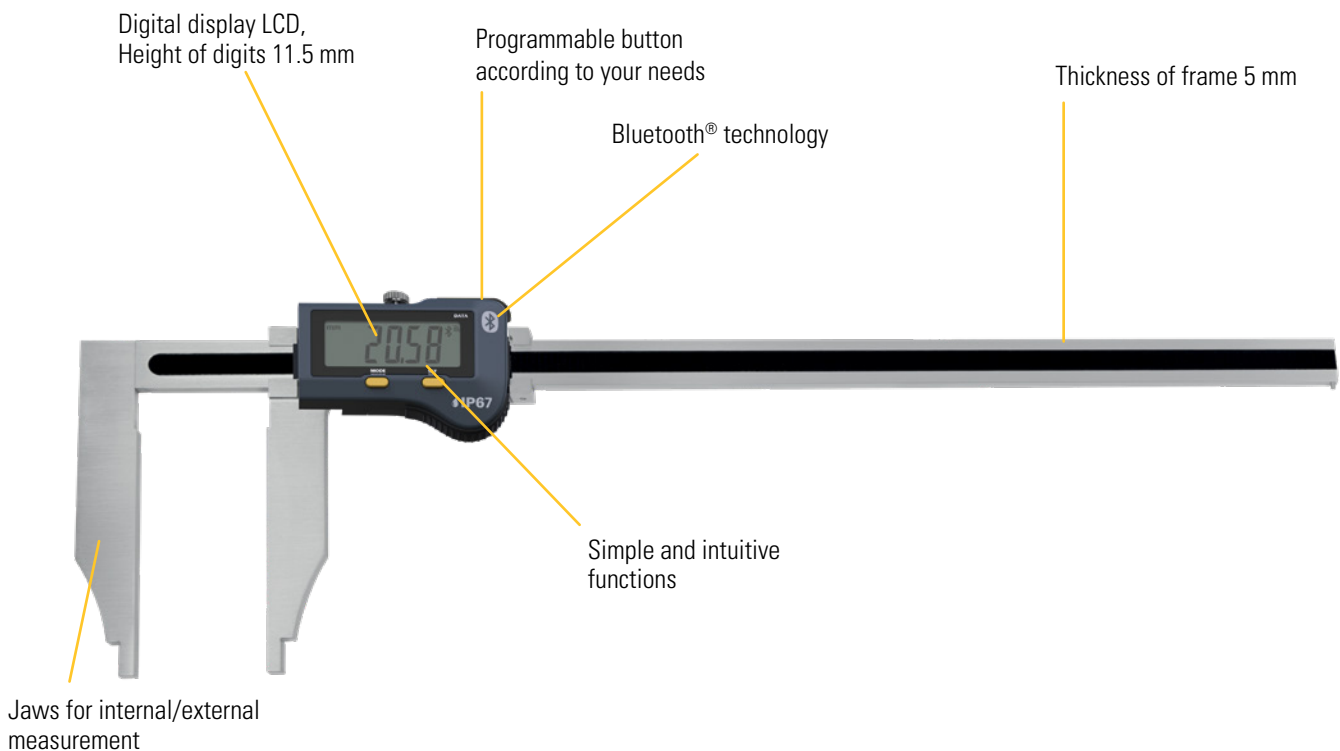
# Caliper mid size

# S\_Cal EVO Form E

## DESCRIPTION

## MID SIZE CALIPER R5

- **Integrated Bluetooth® wireless technology**
- Mid size caliper r5 for internal/external measurement
- Programmable button according to your needs
- Water protected for heavy-duty work with coolants and lubricants, protection rating IP67 according to IEC 60529,
- Automatic wake-up by moving the electronic on his frame. (Absolute System S.I.S)
- Sleeping mode after 10 min. of no use. (Absolute System S.I.S)
- Position memorized in sleeping mode, **Absolute System S.I.S\***
- Maximum speed of displacement : 2.5 m/sec
- Mechanical frame in stainless steel, hardened and grinded
- Great comfort of use thanks to its ergonomic frame



## Mid size caliper



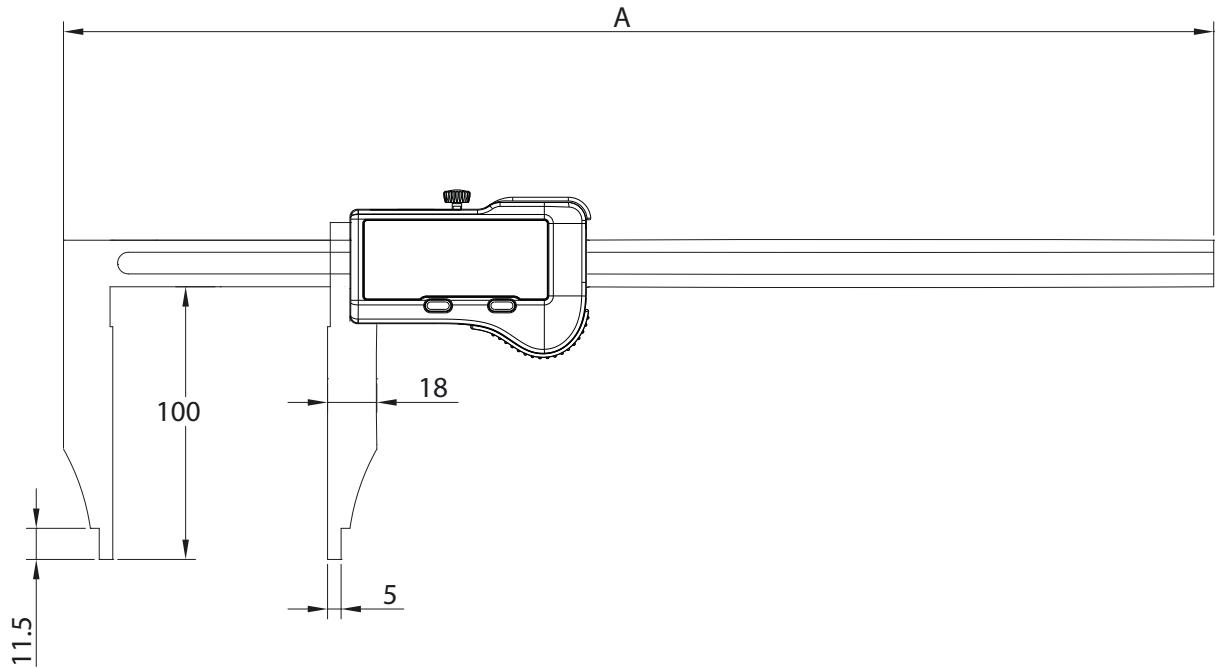
\* SIS description on page 5

# Caliper mid size

# S\_Cal EVO Form E

DIMENSIONAL DRAWING

MID SIZE CALIPER R5



C

## TECHNICAL SPECIFICATIONS

		810.1546
Measuring range	mm	300
Accuracy	mm	0.03
Resolution	mm	0.01
A	mm	495
Bar section	mm	17x5
Protection rating according to IEC 60529		IP67
Output data		Bluetooth® wireless technology*
Functions		Zero setting, Preset (max 999.99), mm/inch, Hold, Data
Smart Inductive Sensor		●

**\* Up to 8 instruments connected per dongle #981.7100**  
 More informations on How to use Bluetooth® leaflet SYL\_1401\_EN\_BT

# Caliper mid size

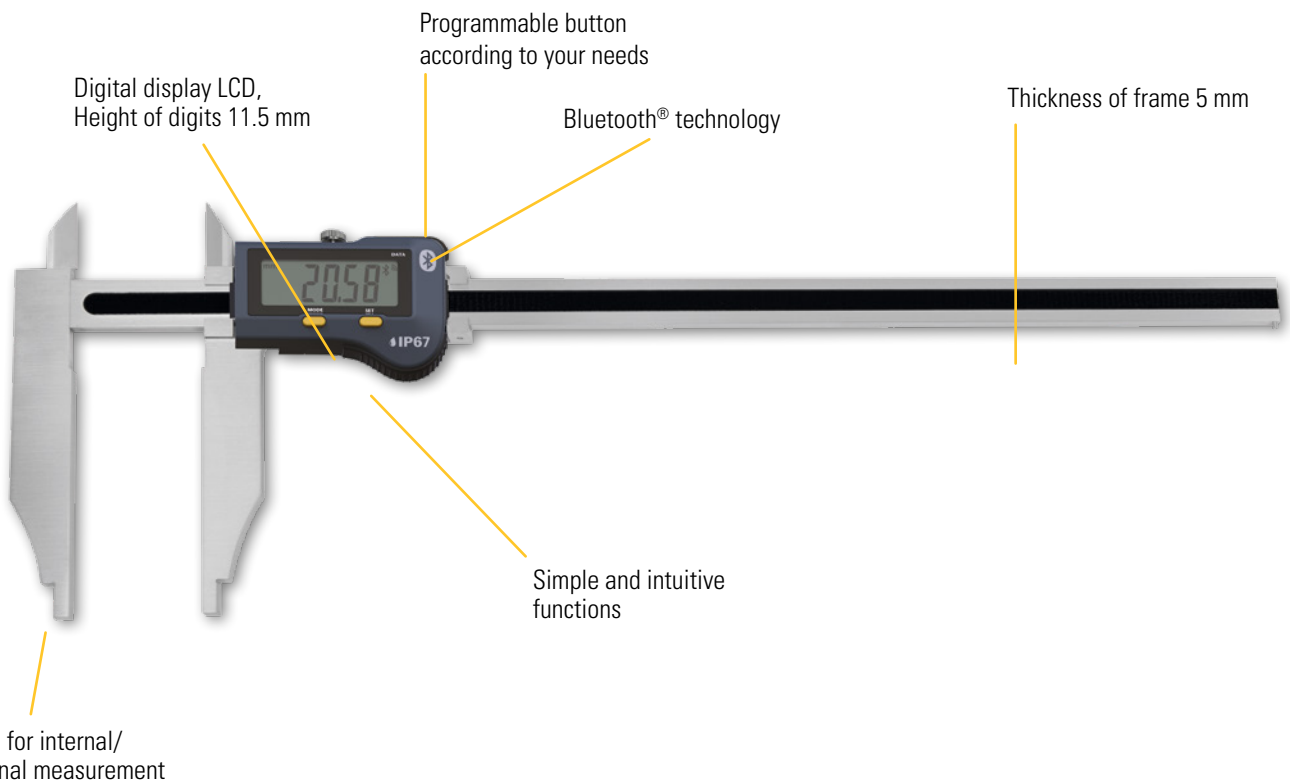
# S\_Cal EVO Form B

## DESCRIPTION

## MID SIZE CALIPER R5 WITH UPPER JAWS

- **Integrated Bluetooth® wireless technology**

- Mid size caliper r5 for internal/external measurement
- Programmable button according to your needs
- Water protected for heavy-duty work with coolants and lubricants, protection rating IP67 according to IEC 60529,
- Automatic wake-up by moving the electronic on his frame. (Absolute System S.I.S)
- Sleeping mode after 10 min. of no use. (Absolute System S.I.S)
- Position memorized in sleeping mode, **Absolute System S.I.S\***
- Maximum speed of displacement : 2.5 m/sec
- Mechanical frame in stainless steel, hardened and grinded
- Great comfort of use thanks to its ergonomic frame



## Mid size caliper with upper jaws



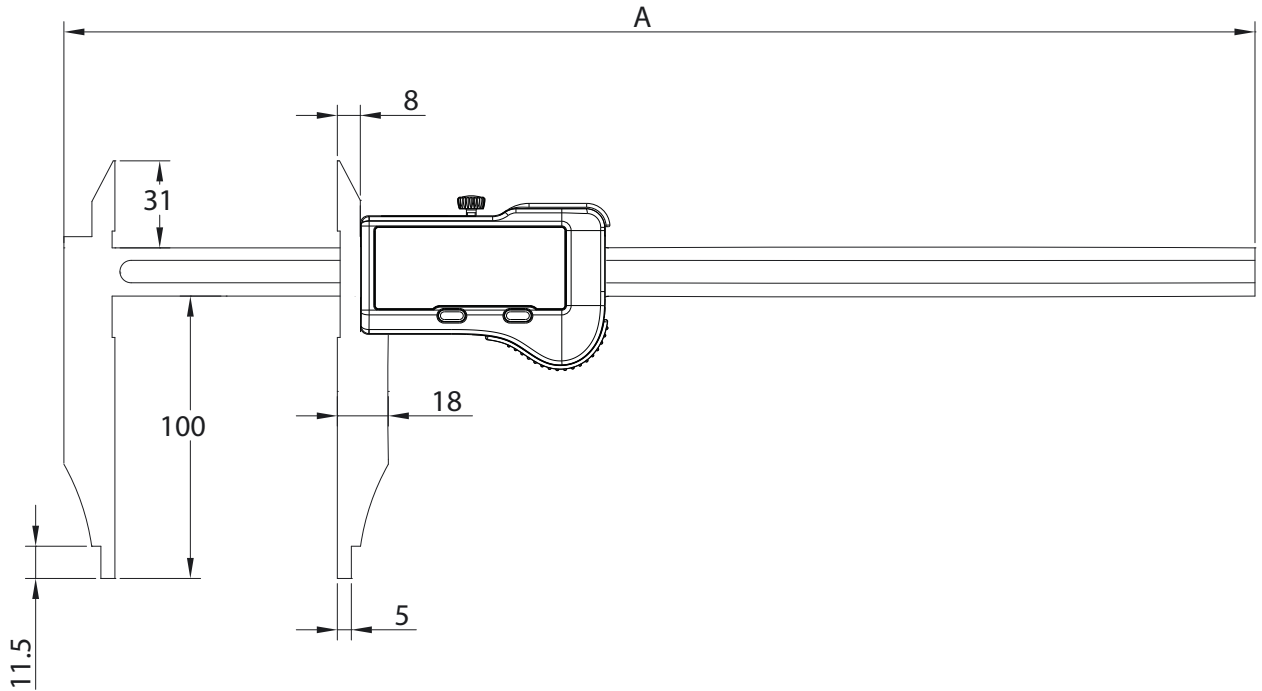
\* SIS description on page 5

# Caliper mid size

# S\_Cal EVO Form B

DIMENSIONAL DRAWING

MID SIZE CALIPER R5 WITH UPPER JAWS



## TECHNICAL SPECIFICATIONS

		810.1556	810.1558
Measuring range	mm	300	500
Accuracy	mm	0.03	
Resolution	mm	0.01	
A	mm	495	595
Bar section	mm	17x5	
Protection rating according to IEC 60529		IP67	
Output data		Bluetooth® wireless technology*	
Functions		Zero setting, Preset (max 999.99), mm/inch, Hold, Data	
Smart Inductive Sensor		●	

**\* Up to 8 instruments connected per dongle #981.7100**  
 More informations on How to use Bluetooth® leaflet SYL\_1401\_EN\_BT

# Depth gauge

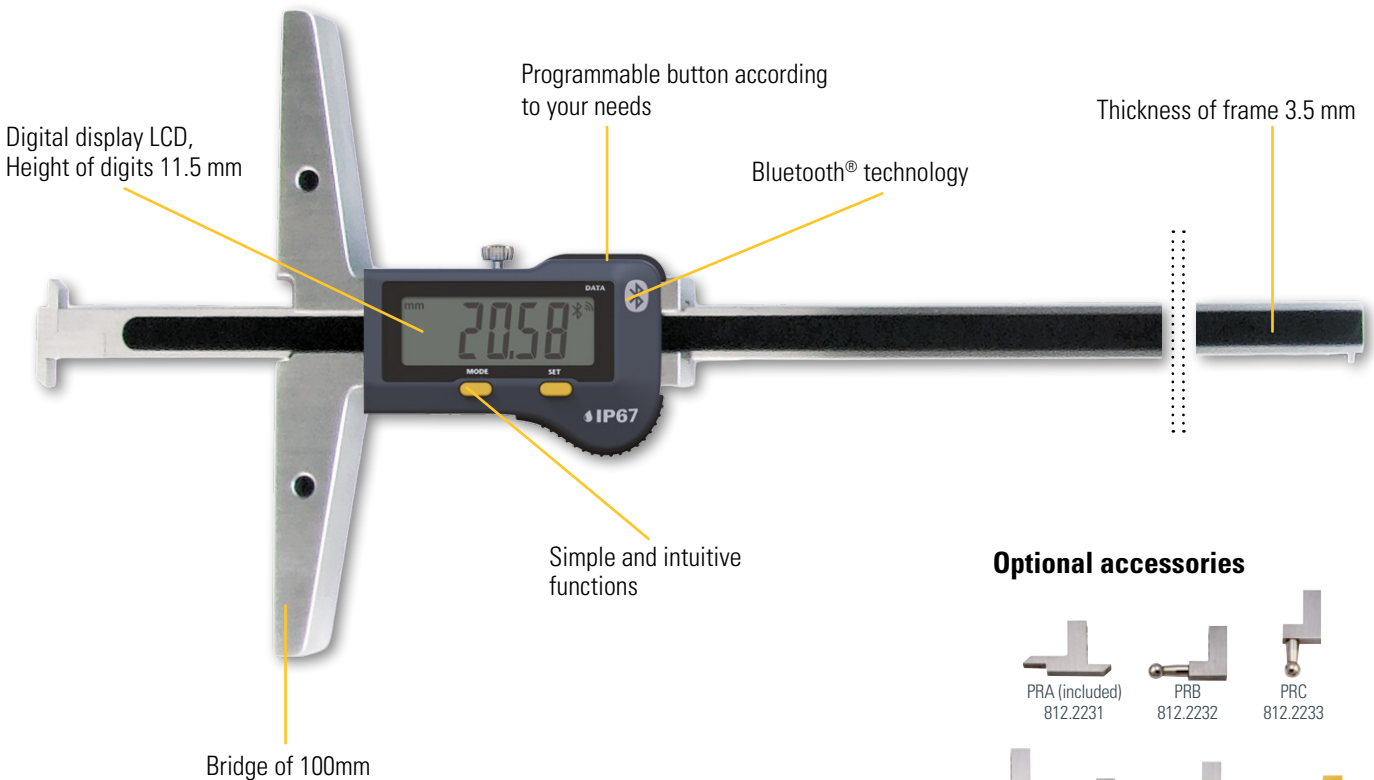
# S\_Depth EVO

## DESCRIPTION

## TWO FIXED MEASURING JAWS

- **Integrated Bluetooth® wireless technology**

- Special depth gauge with bridge 100mm and clamping screw
- Programmable button according to your needs
- Water protected for heavy-duty work with coolants and lubricants, protection rating IP67 according to IEC 60529,
- Automatic wake-up by moving the electronic on his frame. (Absolute System S.I.S)
- Sleeping mode after 10 min. of no use. (Absolute System S.I.S)
- Position memorized in sleeping mode, **Absolute System S.I.S\***
- Maximum speed of displacement : 2.5 m/sec
- Mechanical frame in stainless steel, hardened and grinded



### Optional accessories



\* SIS description on page 5

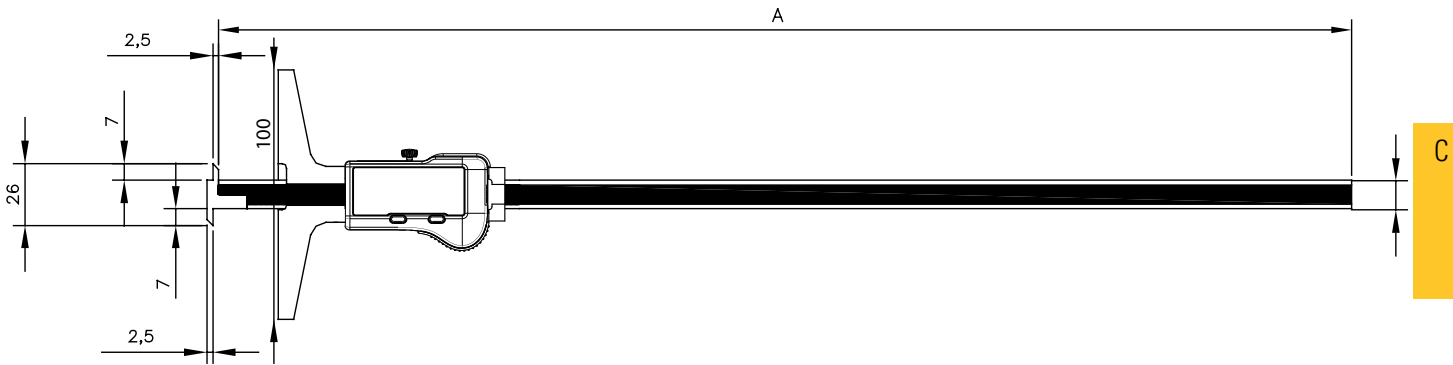
## Interchangeable anvils

# Depth gauge

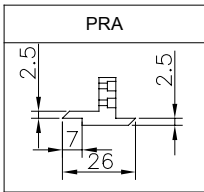
# S\_Depth EVO

## DIMENSIONAL DRAWING

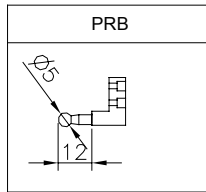
## TWO FIXED MEASURING JAWS



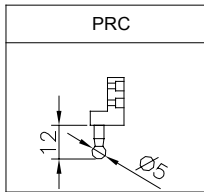
**812.2231/812.2237**



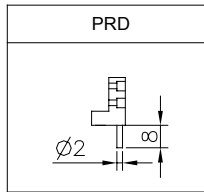
**812.2232**



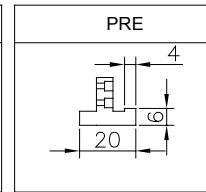
**812.2233**



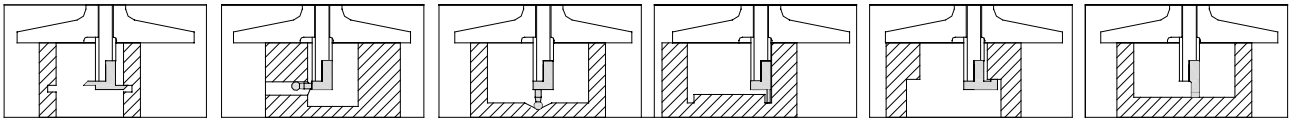
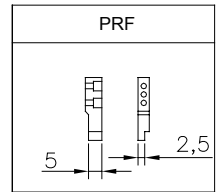
**812.2234**



**812.2235**



**812.2236**



## TECHNICAL SPECIFICATIONS

		812.1601	812.1603	812.1605
Measuring range	mm	200	300	500
Max. Error	µm	30	30	50
Resolution	mm	0.01		
A	mm	300	400	600
B	mm	16x3.5		
Output data		Bluetooth® wireless technology*		
Functions		Zero setting, Preset (max 999.99), mm/inch, Hold, Data		
Smart Inductive Sensor		●		

\* Up to 8 instruments connected per dongle #981.7100  
 More informations on How to use Bluetooth® leaflet SYL\_1401\_EN\_BT



# Depth gauge

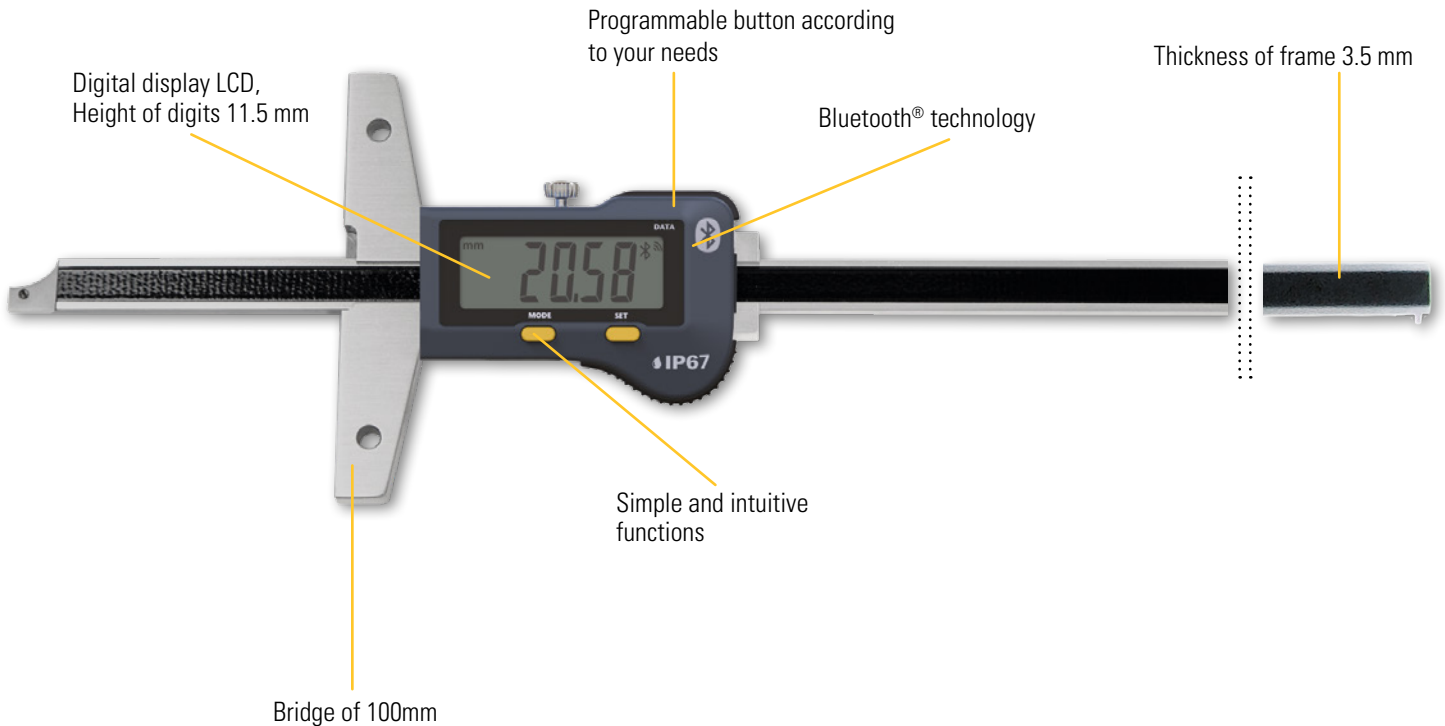
# S\_Depth EVO

## DESCRIPTION

## SHORTCUT MEASURING FACE

- **Integrated Bluetooth® wireless technology**

- Special depth gauge with bridge 100mm and clamping screw
- Programmable button according to your needs
- Water protected for heavy-duty work with coolants and lubricants, protection rating IP67 according to IEC 60529,
- Automatic wake-up by moving the electronic on his frame. (Absolute System S.I.S)
- Sleeping mode after 10 min. of no use. (Absolute System S.I.S)
- Position memorized in sleeping mode, **Absolute System S.I.S\***
- Maximum speed of displacement : 2.5 m/sec
- Mechanical frame in stainless steel, hardened and grinded



\* SIS description on page 5

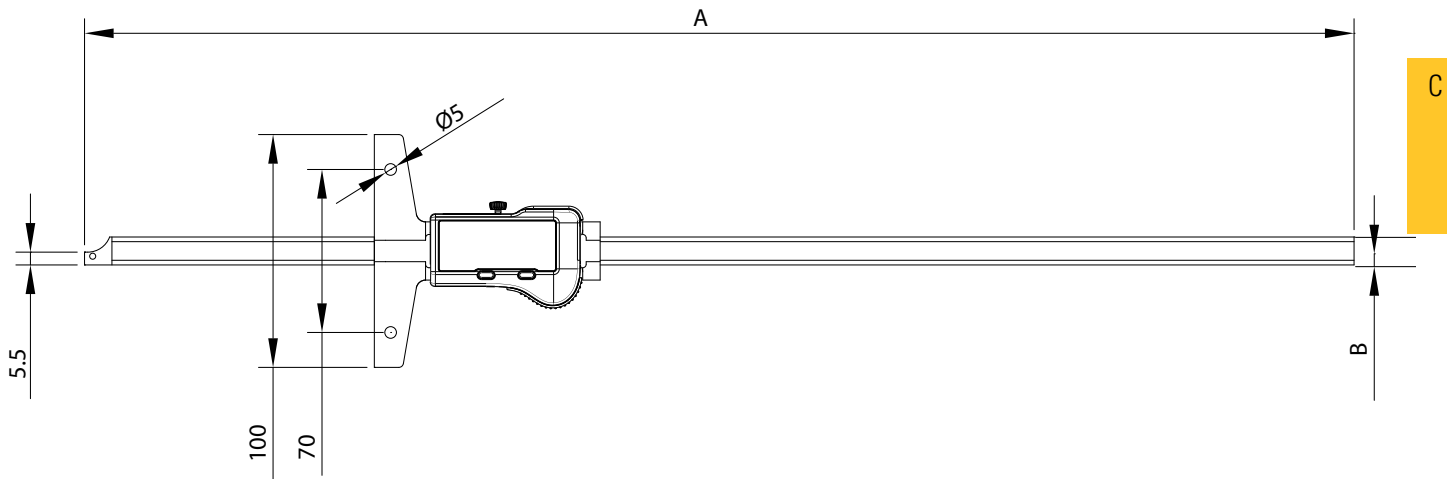
## Bridge of 100mm with clamping screw

# Depth gauge

# S\_Depth EVO

DIMENSIONAL DRAWING

SHORTCUT MEASURING FACE



## TECHNICAL SPECIFICATIONS

		812.1611	812.1613	812.1615
Measuring range	mm	200	300	500
Max. Error	µm	30	30	50
Resolution	mm	0.01		
A	mm	300	400	600
B	mm	16x3.5		
Output data		Bluetooth® wireless technology*		
Functions		Zero setting, Preset (max 999.99), mm/inch, Hold, Data		
Smart Inductive Sensor		●		

\* Up to 8 instruments connected per dongle #981.7100  
 More informations on How to use Bluetooth® leaflet SYL\_1401\_EN\_BT

# Depth gauge

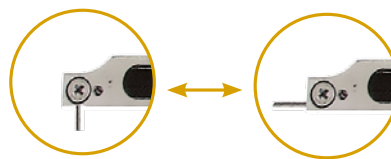
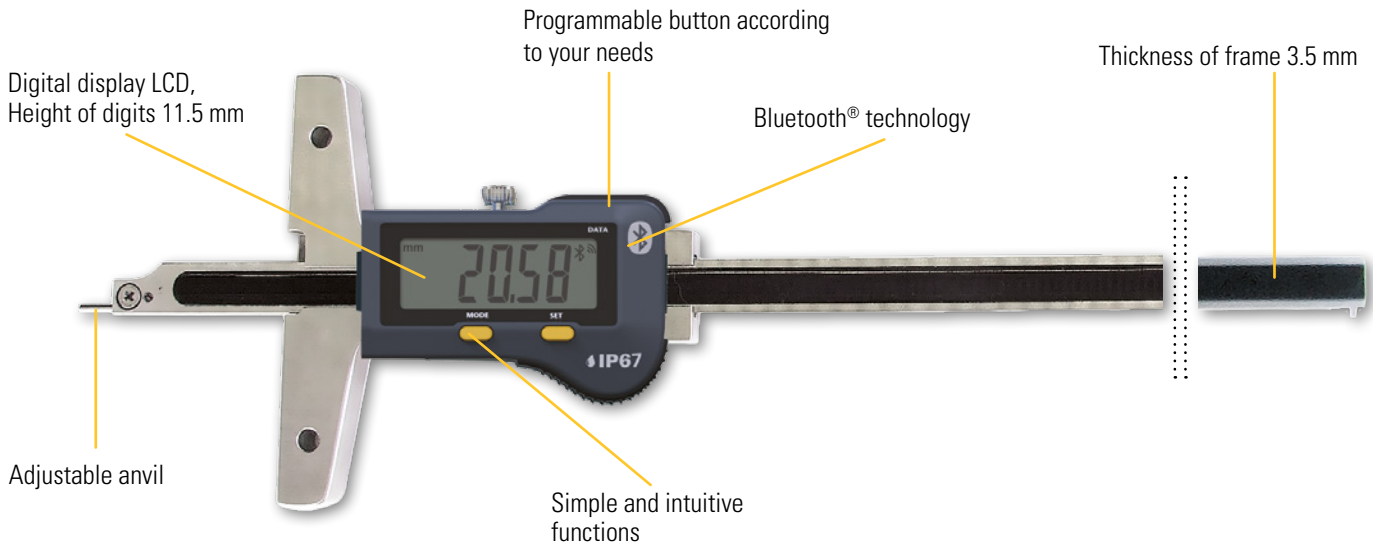
# S\_Depth EVO

## DESCRIPTION

ROTARY PIN

- **Integrated Bluetooth® wireless technology**

- Special depth gauge double with adjustable anvil and clamping screw
- Programmable button according to your needs
- Water protected for heavy-duty work with coolants and lubricants, protection rating IP67 according to IEC 60529,
- Automatic wake-up by moving the electronic on his frame. (Absolute System S.I.S)
- Sleeping mode after 10 min. of no use. (Absolute System S.I.S)
- Position memorized in sleeping mode, **Absolute System S.I.S\***
- Maximum speed of displacement : 2.5 m/sec
- Mechanical frame in stainless steel, hardened and grinded



**Adjustable anvil !**



**SIS** Smart Inductive System



**IP67**

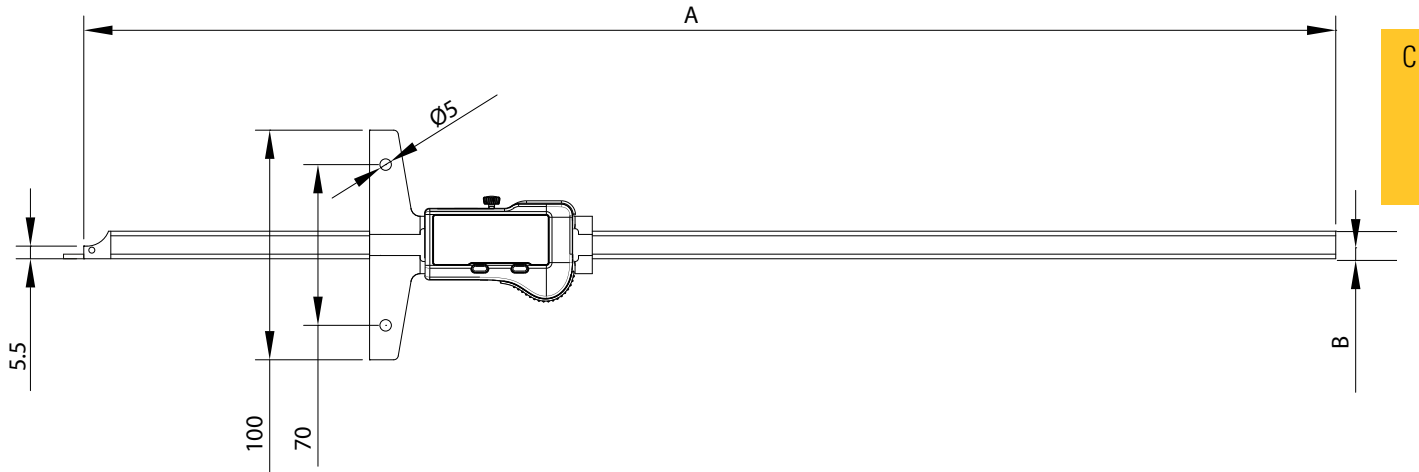
\* SIS description on page 5

# Depth gauge

# S\_Depth EVO

DIMENSIONAL DRAWING

ROTARY PIN



## TECHNICAL SPECIFICATIONS

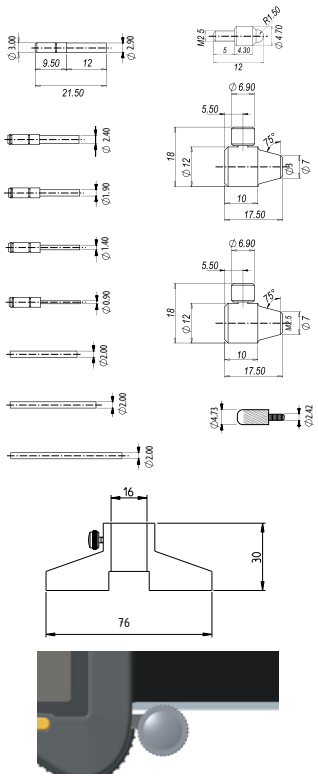
		812.1621	812.1623	812.1625
Measuring range	mm	200	300	500
Max. Error	µm	30	30	50
Resolution	mm	0.01		
A	mm	300	400	600
B	mm	16x3.5		
Output data		Bluetooth® wireless technology*		
Functions		Zero setting, Preset (max 999.99), mm/inch, Hold, Data		
Smart Inductive Sensor		●		

\* Up to 8 instruments connected per dongle #981.7100  
 More informations on How to use Bluetooth® leaflet SYL\_1401\_EN\_BT

# S\_Cal / S\_Depth

## ACCESSORIES FOR CALIPERS

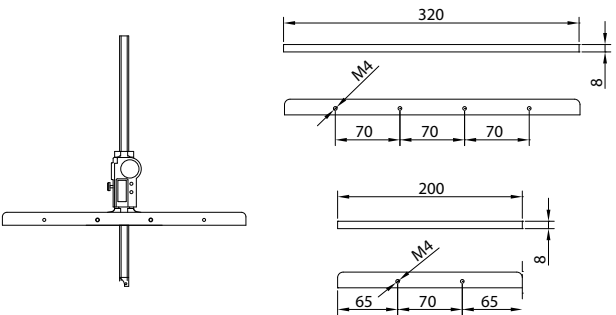
C



		S_Cal EVO Proximity	S_Cal EVO Proximity $\mu\text{m}$	S_Cal EVO	S_Cal EVO Smart	S_Cal EVOSmart $\mu\text{m}$
910.2207	Accessory kit for S_Cal (12 pieces)	●	●	●	●	●
910.2205	Base for Depth Measurement	●	●	●	●	●
810.2203	Thumb wheel				●	●
810.2204				●		
810.2205		●	●			

See also chapter cables.

## ACCESSORIES FOR SPECIAL DEPTH CALIPER (TJ / SF / RP)



		Length	Thickness
812.2240	Additional base	320	8
812.2241	Additional base	200	8

# S\_Cal / S\_Depth

## BASIC INSTRUMENT

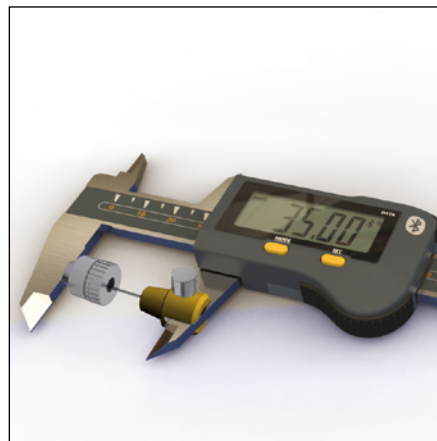
- Instrument according to technical specifications
- Lithium battery CR2032 included
- Instruction manual
- Calibration certificate (S\_Cal EVO  $\mu\text{m}$ )

## APPLICATIONS

C



Depth measurement with S\_Cal EVO and base 910.2205.



S\_Cal EVO Smart with kit 910.2207  
Depth measurement of small internal  $\varnothing$



S\_Cal EVO Standard  
Comparison measurement



Part measurement with S\_Cal  $\mu\text{m}$



Part measurement with sending data

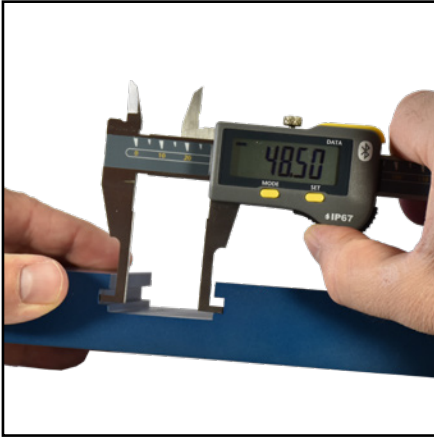


Depth measurement with S\_Cal EVO  $\mu\text{m}$

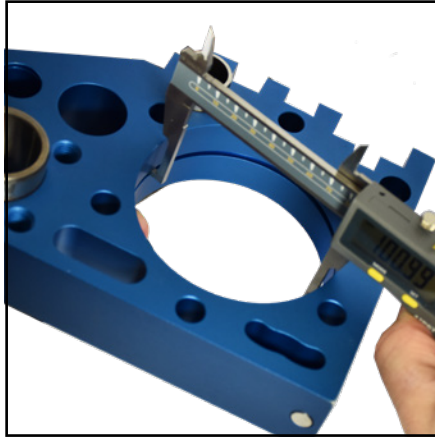
# Special S\_Cal & S\_Depth

## APPLICATIONS

C



Internal groove measurement with S\_Cal EVO Smart IG



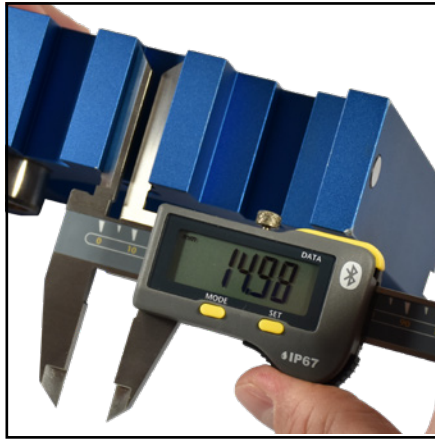
Internal groove measurement with S\_Cal EVO Smart IG



Internal measurement with S\_Cal EVO Smart PJ



Deep measurement with S\_Cal EVO Smart DM



Deep measurement with S\_Cal EVO Smart DM



External groove measurement with S\_Cal EVO Smart EG



External groove measurement with S\_Cal EVO Smart EG



External groove measurement with S\_Cal EVO Smart EG



S\_Depth EVO Smart TJ communicating with Sylvac Smart App on touchpad



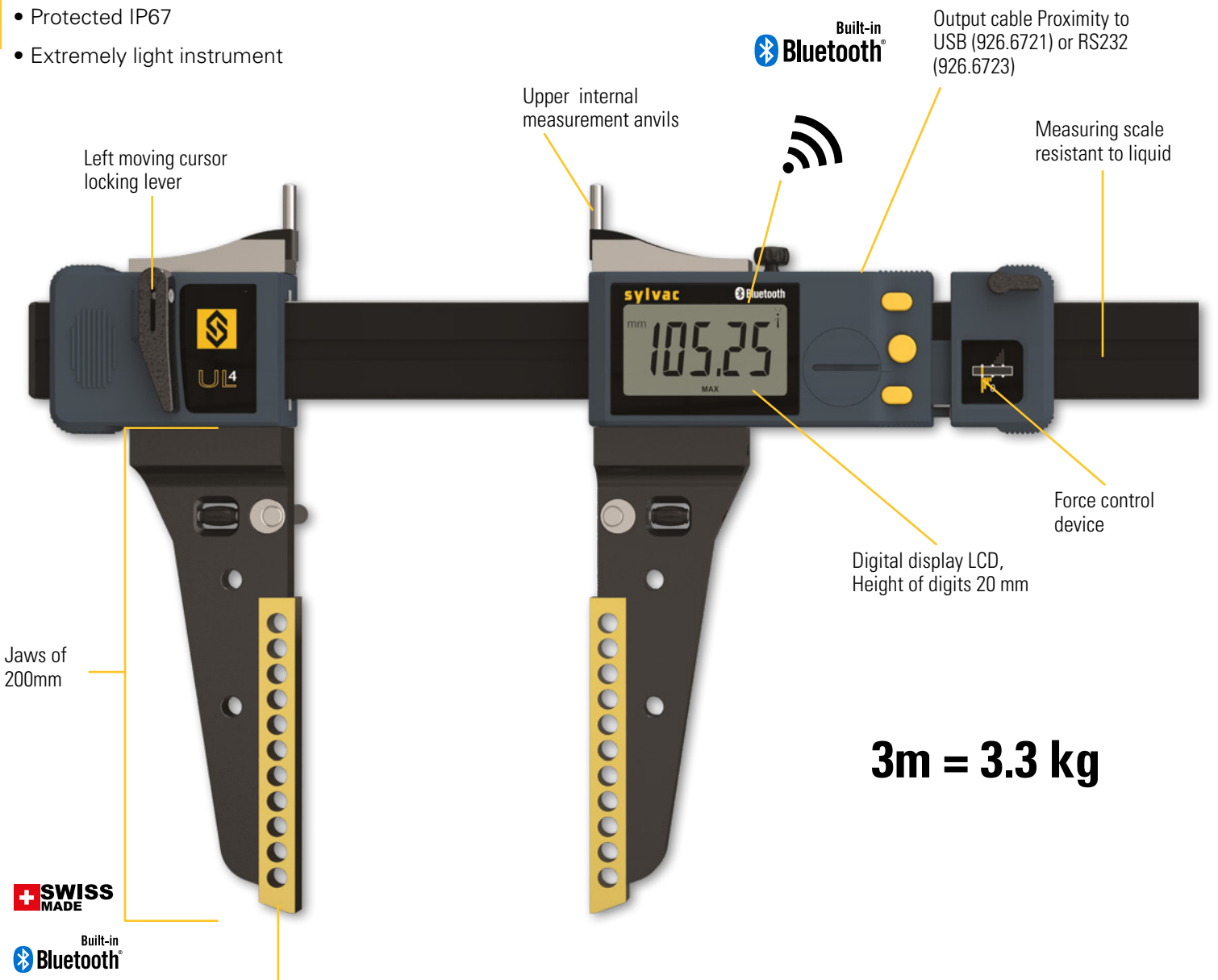


# Ultra light caliper

# UL4

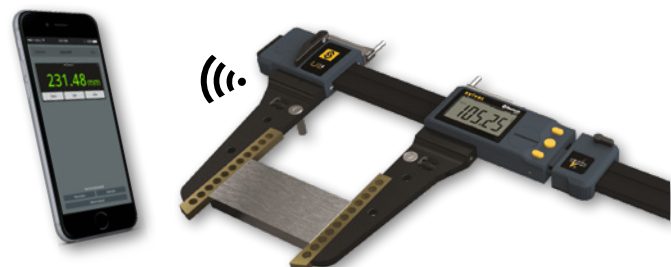
## DESCRIPTION

- Ultra light caliper for external and internal measurements
- **Integrated Bluetooth® wireless technology**
- New Series with extra large display
- Aluminium beam reinforced by four stainless steel rods
- Long jaws 200 mm coated with titanium
- New carbide upper internal tips
- Measuring force applied control
- Protected IP67
- Extremely light instrument



**3m = 3.3 kg**

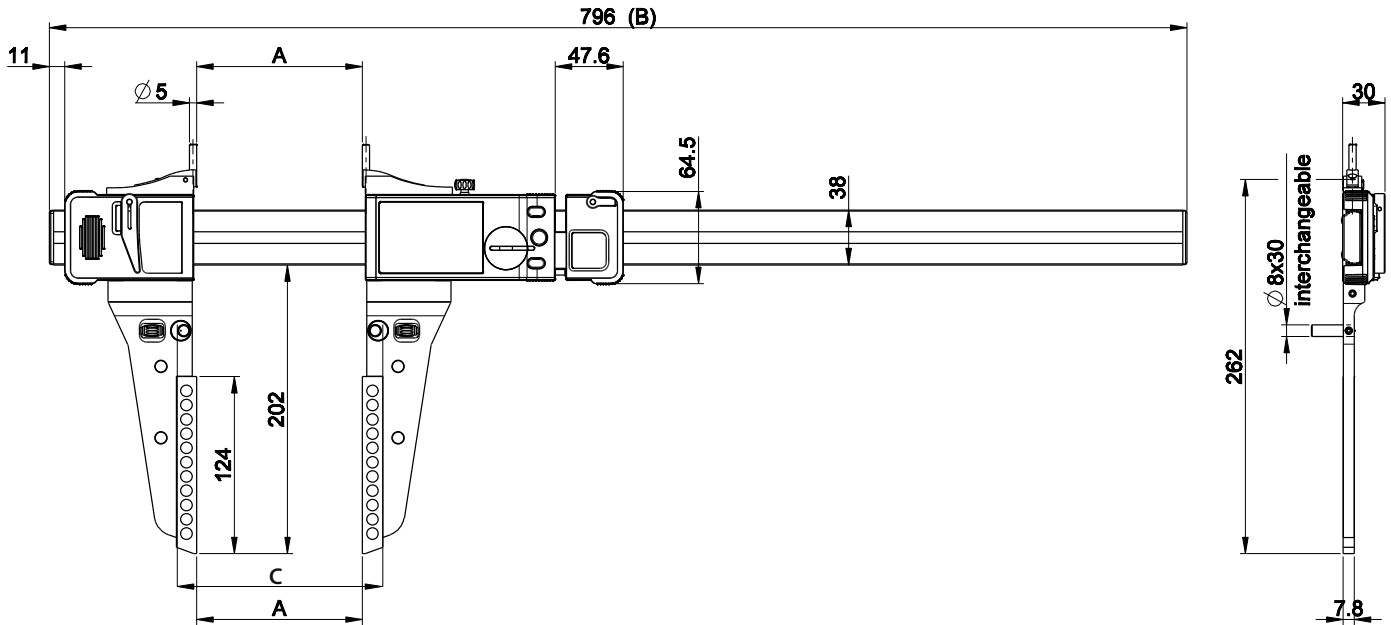
Stainless steel external jaws, thickness 8 mm, titanium coated



# Ultra light caliper

# UL4

## DIMENSIONAL DRAWING



## TECHNICAL SPECIFICATIONS

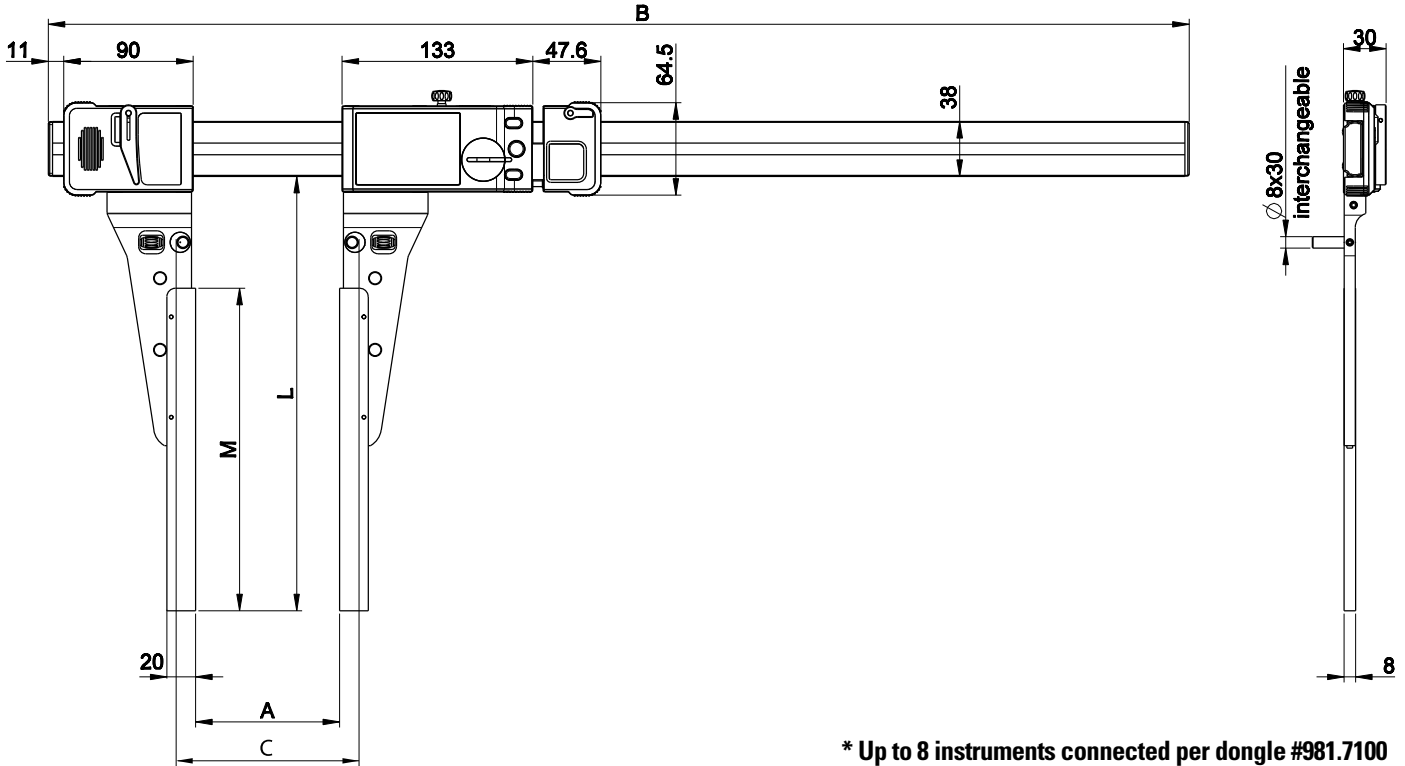
		811.1404	811.1406	811.1410	811.1415	811.1420	811.1425	811.1430
Measuring range	mm	400	600	1000	1500	2000	2500	3000
Max. Error	µm	30	40	50	90	120	150	200
Repeatability	µm	20				30		
Resolution	mm	0.01						
A	mm	0-478	0-683	0-1093	0-1608	0-2123	0-2638	0-3153
C	mm	27-505	27-710	27-1110	27-1635	27-2150	27-2665	27-3180
B	mm	796	1001	1411	1926	2441	2956	3471
Measuring Force	N	7.5 - 11.5 (±20%)						
Output data		Bluetooth® wireless technology* / RS232 / USB						
IP67 Protection		●						
Preset max.		±9999.99 mm / ±399.9995 IN						
Weight	kg	1.5	1.6	1.9	2.3	2.6	2.9	3.3
Setting by PC		●						
2 references		●						
Min/Max function		●						
Tolerance limit indicators		●						

\* Up to 8 instruments connected per dongle #981.7100  
 More informations on How to use Bluetooth® leaflet SYL\_1401\_EN\_BT

# Ultra light caliper

# UL4

SPECIAL EXECUTIONS | SPECIAL JAWS TYPE A



\* Up to 8 instruments connected per dongle #981.7100  
More informations on How to use Bluetooth® leaflet SYL\_1401\_EN\_BT

## TECHNICAL SPECIFICATIONS

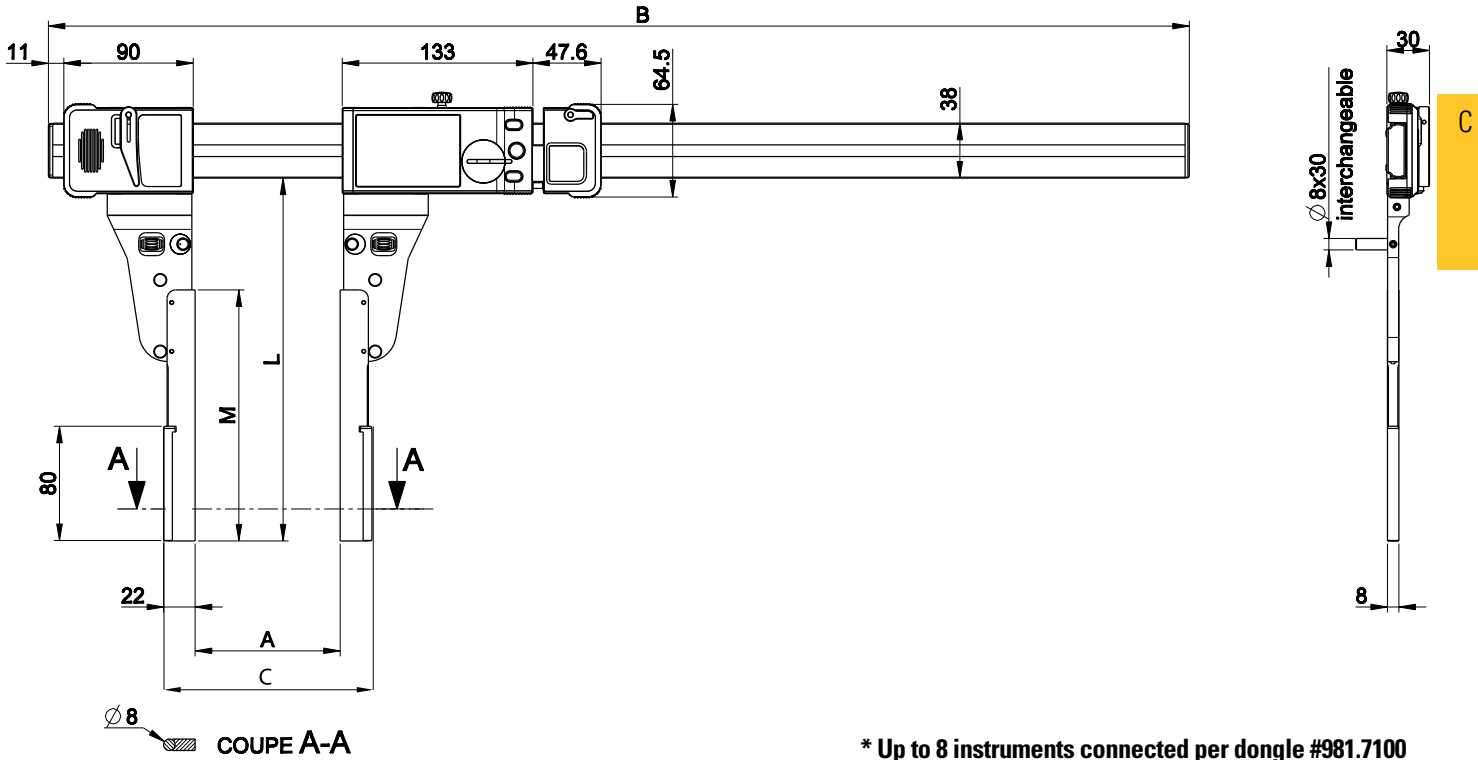
		811.2316.99	811.2317.99
<b>Special jaws (pair)</b>		Lenght L to specify with order (max 400 mm)	
L	mm	≤ 300	≤ 400
M	mm	L - 75	

		UL 400	UL 600	UL 1000	UL 1500	UL 2000	UL 2500	UL 3000
<b>UL specification</b>		<b>Max. error. [µm] / Repeatability [µm]</b>						
With Jaws 811.2316.99		40/20	50/20	70/20	130/30	180/40	220/40	320/40
With Jaws 811.2317.99		70/40	80/40	120/40	200/50	300/60	400/70	500/80
Measuring range	mm	400	600	1000	1500	2000	2500	3000
A	mm	0-478	0-683	0-1093	0-1608	0-2123	0-2638	0-3153
C	mm	27-505	27-710	27-1110	27-1635	27-2150	27-2665	27-3180
B	mm	796	1001	1411	1926	2441	2956	3471
Resolution	mm	0.01						

# Ultra light caliper

# UL4

SPECIAL EXECUTIONS | SPECIAL JAWS TYPE C



\* Up to 8 instruments connected per dongle #981.7100  
 More informations on How to use Bluetooth® leaflet SYL\_1401\_EN\_BT

## TECHNICAL SPECIFICATIONS

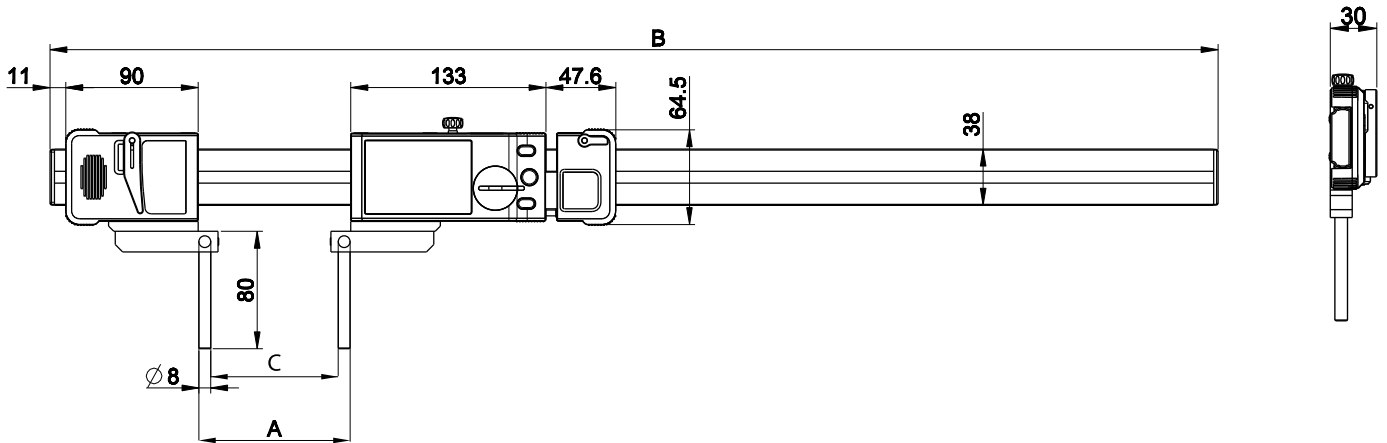
		<b>811.2319.99</b>
<b>Special jaws (pair)</b>		Lenght L to specify with order (max 300 mm)
L max	mm	300
M	mm	L - 75

		UL 400	UL 600	UL 1000	UL 1500	UL 2000	UL 2500	UL 3000
<b>UL specification</b>		<b>Max. error. [µm] / Repeatability [µm]</b>						
With Jaws ≤ 200	mm	40/20	50/20	70/30	120/30	170/30	210/30	300/40
With Jaws ≤ 300	mm	50/30	60/30	90/30	150/30	200/40	300/40	400/50
Measuring range	mm	400	600	1000	1500	2000	2500	3000
A	mm	0-478	0-683	0-1093	0-1608	0-2123	0-2638	0-3153
C	mm	44-522	44-727	44-1137	44-1652	44-2167	44-2682	44-3197
B	mm	796	1001	1411	1926	2441	2956	3471
Resolution	mm	0.01						

# Ultra light caliper

# UL H4

## DIMENSIONAL DRAWING



## TECHNICAL SPECIFICATIONS

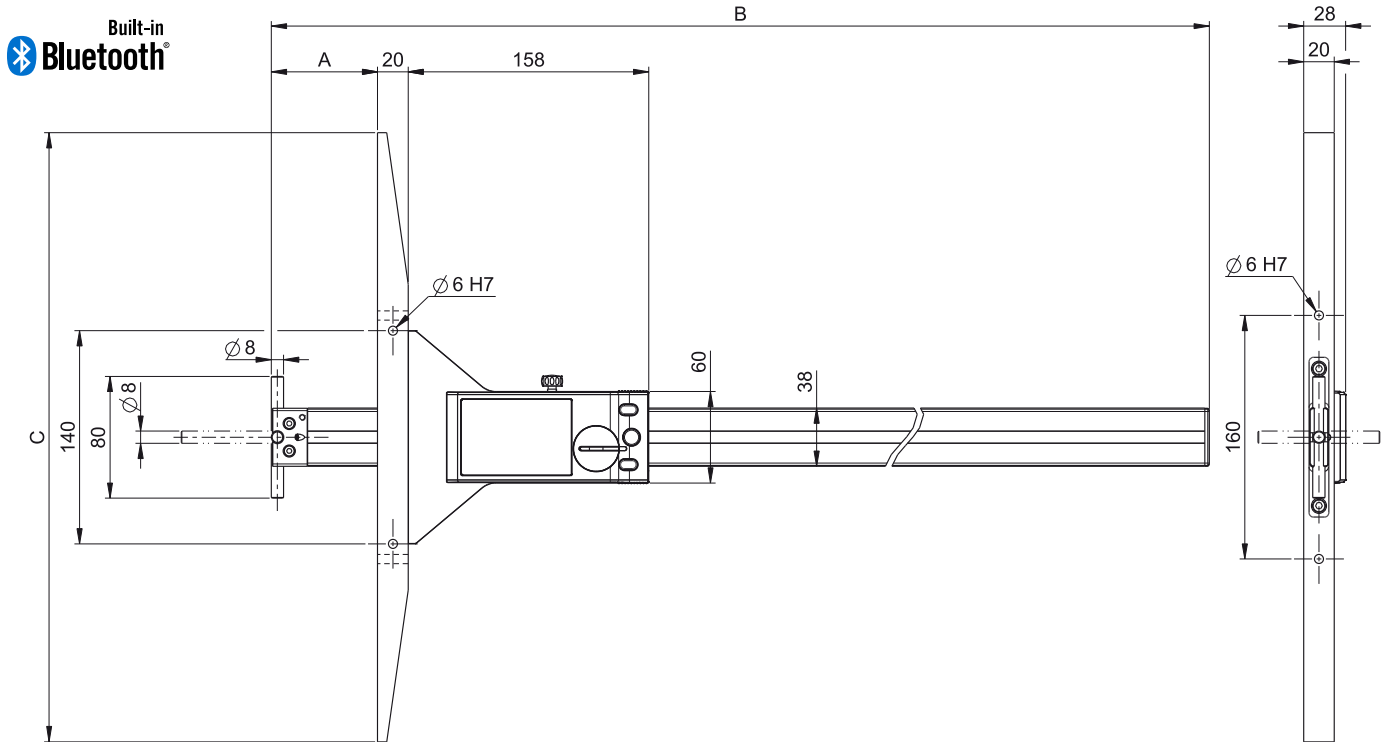
		811.8040	811.8060	811.8100	811.8150	811.8200	811.8250	811.8300
Measuring range	mm	400	600	1000	1500	2000	2500	3000
Max.Error	µm	30	40	50	90	120	150	200
Repeatability	µm	20				30		
Resolution	mm	0.01						
A	mm	26-480	26-685	26-1095	26-1610	26-2125	26-2640	26-3155
C	mm	10-464	10-669	10-1079	10-1594	10-2109	10-2624	10-3139
B	mm	796	1001	1411	1926	2441	2956	3471
Measuring Force	N	7.5 - 11.5 (±20%)						
Output data		Bluetooth® wireless technology* / RS232 / USB						
IP67 Protection		●						
Preset max.		±9999.99 mm / ±399.9995 IN						
Weight	kg	1.1	1.2	1.5	1.9	2.2	2.5	2.9
Setting by PC		●						
2 references		●						
Min/Max function		●						
Tolerance limit indicators		●						

\* Up to 8 instruments connected per dongle #981.7100  
More informations on How to use Bluetooth® leaflet SYL\_1401\_EN\_BT

# Ultra light depth gauge

# UL V4

## DIMENSIONAL DRAWING



## TECHNICAL SPECIFICATIONS

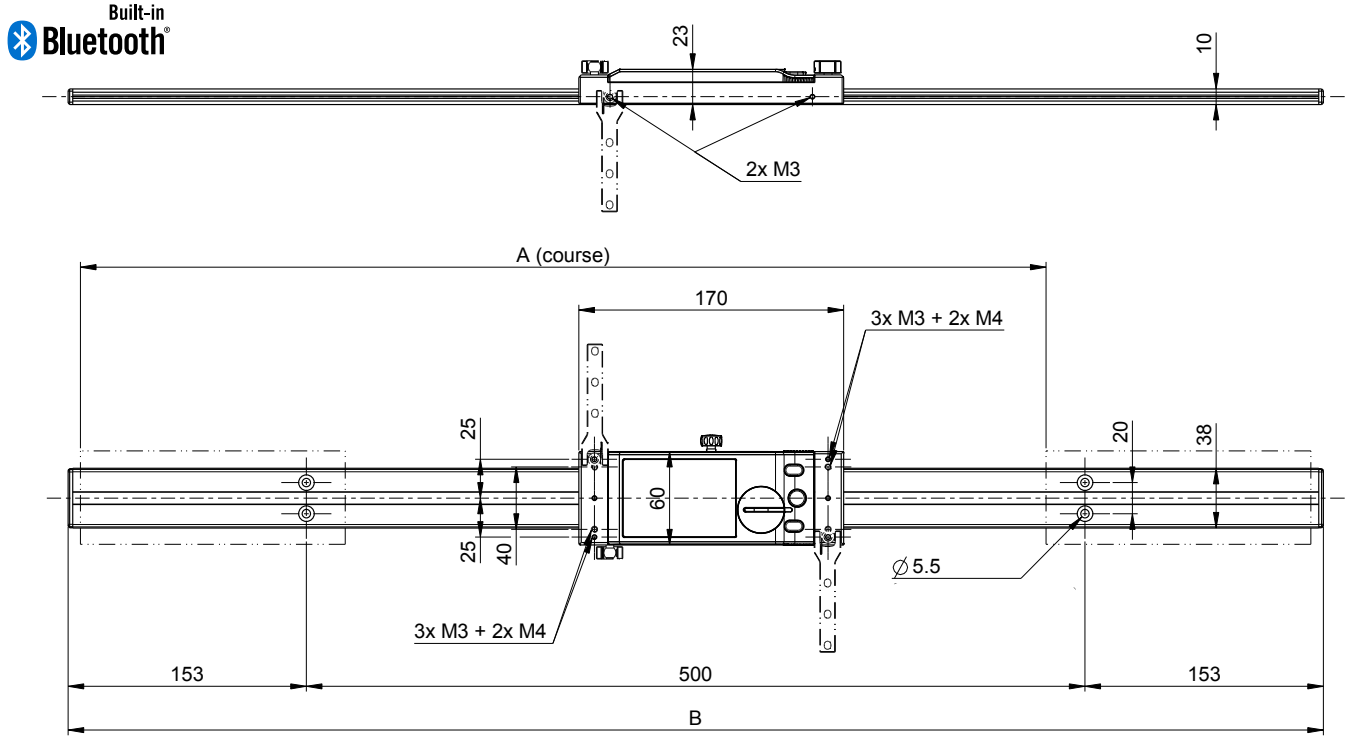
		811.6100	811.6150
Measuring range	mm	1000	1500
Max.Error	µm	100	130
Repeatability	µm	20	
Resolution	mm	0.01	
A	mm	0 - 1030	0 - 1545
C	mm	400	600
B	mm	1242	1757
Output data		Bluetooth® wireless technology* / RS232 / USB	
IP67 Protection		●	
Preset max.		±9999.99 mm / ±399.9995 IN	
Weight	kg	2.2	3.16
Setting by PC		●	
2 references		●	
Min/Max function		●	
Tolerance limit indicators		●	

**\* Up to 8 instruments connected per dongle #981.7100**  
 More informations on How to use Bluetooth® leaflet SYL\_1401\_EN\_BT

# Ultra light digital scale

# UL D4

## DIMENSIONAL DRAWING



## TECHNICAL SPECIFICATIONS

		814.1510	814.1515	814.1520	814.1525	814.1530
Measuring range	mm	1000	1500	2000	2500	3000
Max. Error	µm	60	90	120	150	200
Repeatability	µm	20				
Resolution	mm	0.01				
A	mm	0 - 1120	0 - 1620	0 - 2120	0 - 2620	0 - 3120
B	mm	1306	1806	2306	2806	3306
Number range of raws		3	4	5	6	7
Output data		Bluetooth® wireless technology* / RS232 / USB				
IP67 Protection		●				
Preset max.		±9999.99 mm / ±399.9995 IN				
Weight	kg	1.2	1.5	1.8	2.2	2.5
Setting by PC		●				
2 references		●				
Min/Max function		●				
Tolerance limit indicators		●				

\* Up to 8 instruments connected per dongle #981.7100  
More informations on How to use Bluetooth® leaflet SYL\_1401\_EN\_BT

# Ultra light caliper

# UL4

## BASIC INSTRUMENT



### UL4 Standard

- Instrument according to technical specifications
- Lithium battery CR2477 included
- Calibration certificate for UL up to 3000mm
- Upper internal measurement anvil (811.2323 - 2pcs)
- Universal base 811.2301
- Instruction manual

C



### UL4 Special Jaws Type A

- Instrument according to technical specifications
- Lithium battery CR2477 included
- Special long jaws Type A (811.2316.99 or 811.2317.99)
- Length of jaws to specify when order (max. 400mm)
- Instruction manual



### UL4 Special Jaws Type C

- Instrument according to technical specifications
- Lithium battery CR2477 included
- Special long jaws Type C (811.2319.99)
- Length of jaws to specify when order (max. 300mm)
- Instruction manual



# Ultra light caliper

## BASIC INSTRUMENT

C



### ULH4

- Instrument according to technical specifications
- Lithium battery CR2477 included
- Calibration certificate for UL up to 3000mm
- Universal base 811.2301
- Anvil holder 811.2302
- Long cylindrical anvil Ø8x80mm (811.2324)
- Instruction manual



### ULV4

- Instrument according to technical specifications
- Lithium battery CR2477 included
- Long cylindrical anvil Ø8x80mm (811.2324)
- Bridge 400mm or 600mm
- Instruction manual

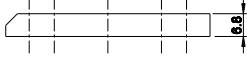
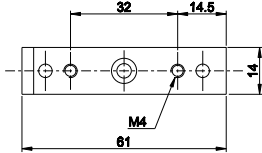
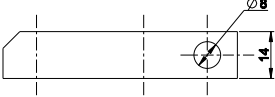
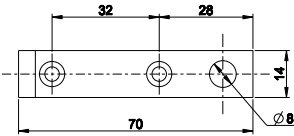
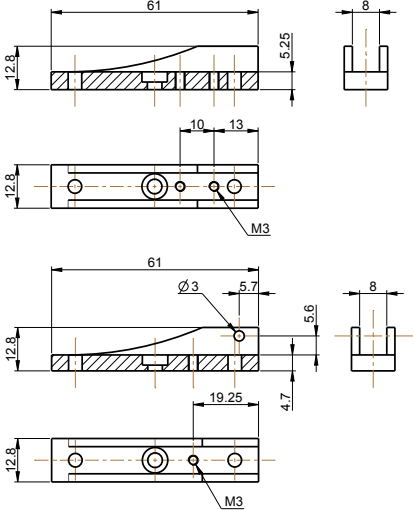
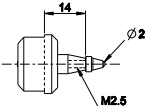


### ULD4

- Instrument according to technical specifications
- Lithium battery CR2477 included
- Driving shaft
- Instruction manual

# Ultra light caliper

## ACCESSORIES

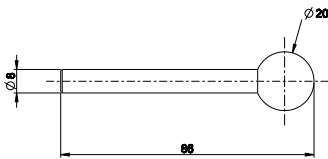
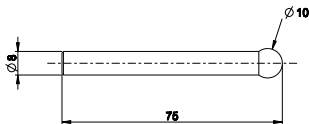
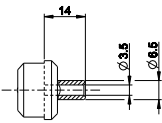
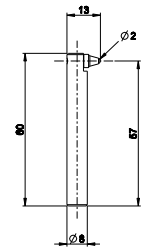
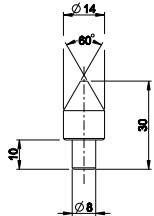
		UL4	UL H4	ULV4	ULD4
	<b>811.2301</b>				
	Universal base (2 pieces)	●	●		
	<b>811.2302</b>				
	Ø8 Anvil holder (2 pieces, to combine with 811.2301)	●	●		
	<b>811.2303</b>				
Accessories holder (2 different pieces)	●	●			
	<b>811.2305</b>				
Support with int. thread M 2.5 (2 pieces)	●				

See also cables chapter

# Ultra light caliper

## ACCESSORIES

C








		UL4	UL H4	ULV4	UL D4
<b>811.2307</b>	Inserts in hardened steel, cone 60° for bore clearance measurement > 10 mm, (2 pieces)	●	●		
<b>811.2309</b>	Holder for dial gauge contact points for internal groove measurement, (2 pieces)	●	●		
<b>811.2304</b>	Thread anvils holders (2 pieces)	●			
<b>811.2310</b>	Anvil Ø10mm (2 pieces)	●	●		
<b>811.2311</b>	Anvil Ø20mm (2 pieces)	●	●		
<b>811.2312</b>	Anvil Ø25x5mm (2 pieces)	●	●		
<b>811.6306</b>	Wooden box for UL4 400 and 600mm	●	●		
<b>811.6310</b>	Wooden box for UL4 1000mm	●	●		
<b>811.6315</b>	Wooden box for UL4 1500mm	●	●		

See also cables chapter

# Ultra light caliper

## ACCESSORIES

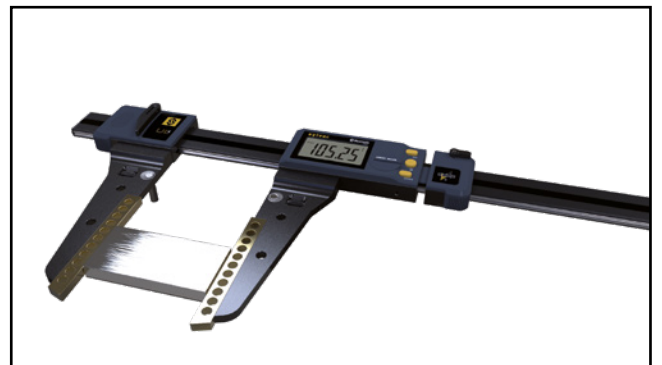
		UL4	UL H4	ULV4	UL D4
	<b>811.2321</b> Lower plate for internal anvil (2 pieces) (for Bowers Unical's «L anvils»)	●	●		
	<b>811.2322</b> Lower internal anvil (2 pieces)	●	●		
	<b>811.2323</b> Upper internal measurement anvil (2 pieces)* (to combine with 811.2303)	●	●		
	<b>811.2324</b> Long cylindrical anvil Ø8x80mm (2 pieces) (to combine with 811.2303)	●	●		
	<b>811.2325</b> Cylindrical anvil Ø8x30mm (2 pieces)	●	●		

C

## APPLICATIONS



Internal measure with UL4



External measure with UL4





# MICROMETERS

---

Our range of professional micrometers with protection against water and IP67 cutting oils is fitted with our patented Absolute System and consists of several models, equipped with a fast displacement of the spindle (10mm/rotation).

A cylindrical model, with discs, ball, knives or cable crimping, you will definitely find your solution in this chapter.

**Sylvac inductive measuring system (patented)**

**Data output**

**Non-rotative spindle, quick mike**

**Power supply: Lithium battery 3V, Type CR 2032**



# Professional micrometer

# S\_Mike PRO

## DESCRIPTION

CYLINDRICAL Ø6.5

- Automatic wake-up by moving the measuring spindle (Absolute System S.I.S)
- Sleeping mode after 20 min. of no use (Absolute System S.I.S)
- Position memorized in sleeping mode, **Absolute System S.I.S\***
- Water protected for heavy-duty work with coolants and lubricants, protection rating IP67 according to IEC 60529, **even connected**
- Measuring range 0-161 mm **covered with 5 instruments only**
- Set of 3 micrometers 0-102 mm available
- Quick displacement of the measuring spindle 10 mm / rotation
- Adjustable measuring force 5N / 10N (versions 903.030X)
- Repeatability and reproducibility never reached before
- Thimble in polyacetal-copolymer

Measuring surface  
in hard metal

Non-rotating spindle Ø 6.5 mm

Fast handle movement  
with ratchet



Output cable Proximity to USB  
(926.6721) or RS232 (926.6723) or  
Bluetooth® Wireless technology  
(depends on model)

Simple and friendly  
functions

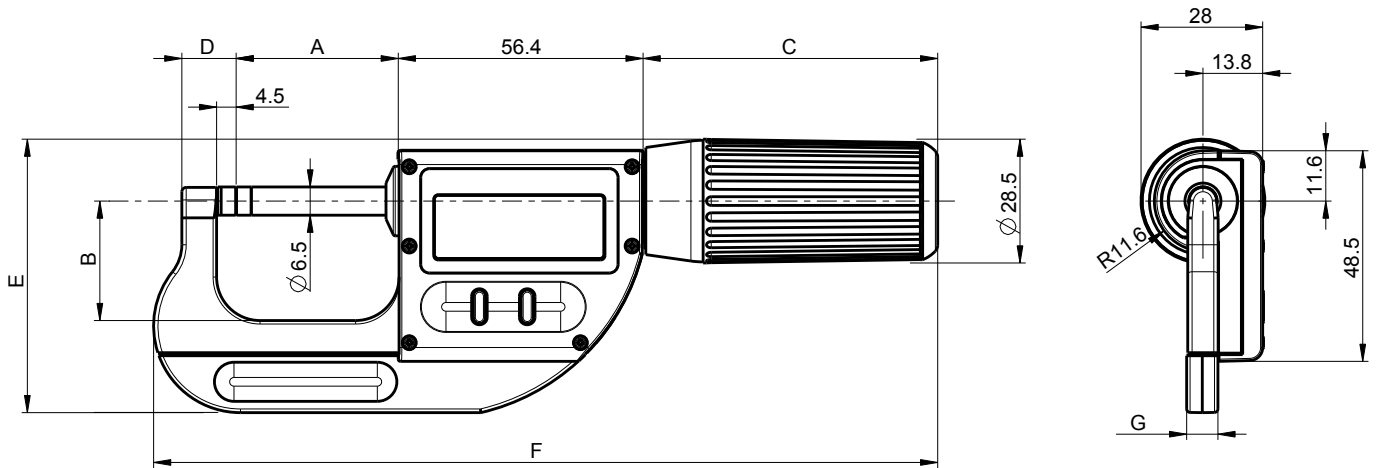


# Professional micrometer

# S\_Mike PRO

DIMENSIONAL DRAWING

CYLINDRICAL Ø6.5



## TECHNICAL SPECIFICATIONS

		803.0300	903.0600	903.1000	903.1360	903.1600
Measuring range	mm	0-30	30-66	66-102	100-136	125-161
Max. Error G <sup>1)</sup>	µm	3	4	5	7	8
Repeatability <sup>2)</sup>	µm	1	1	1	2	2
Anvils types		Ø6.5				
A	mm	37.3	73.3	109.3	143.3	168.3
B	mm	27.5	43	60	95	110
C	mm	68	74	74	74	74
D	mm	12.5	13.5	14.5	19.5	19.5
E	mm	63	86	106	151	169
F	mm	181	230	269	306	339
G	mm	7.2	9	9	9	9
Output data		USB / RS 232 <sup>3)</sup>				
Prot. rating accor. to IEC 60529		IP67 even connected				
Setting by PC		●				
Adjustable measuring force		5N / 10N		10N		
Non-rotating spindle		●				
Fast movement		●				
Preset function		●				
Smart Inductive Sensor		●				

<sup>1)</sup> according to DIN 863

<sup>2)</sup> ± 1 digit

<sup>3)</sup> see cables chapter

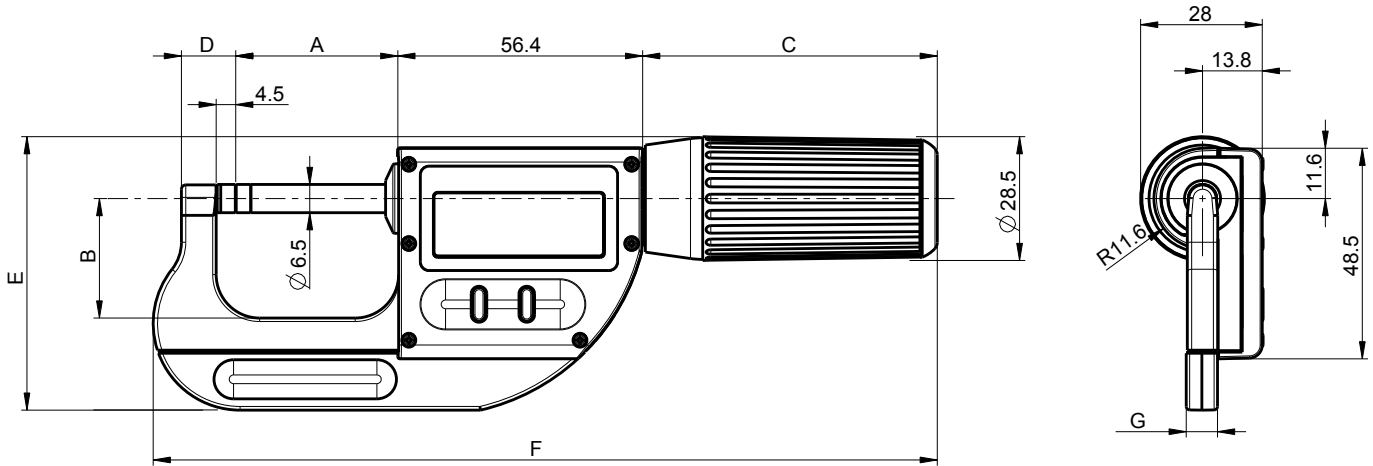


# Professional micrometer

# S\_Mike PRO

DIMENSIONAL DRAWING

CYLINDRICAL Ø6.5 SMART



## TECHNICAL SPECIFICATIONS

		803.0306	903.0606	903.1006
Measuring range	mm	0-30	30-66	66-102
Max. Error G <sup>1)</sup>	µm	3	4	5
Repeatability <sup>2)</sup>	µm	1	1	1
Anvils types		Ø6.5 <sup>3)</sup>		
A	mm	37.3	73.3	109.3
B	mm	27.5	43	60
C	mm	68	74	74
D	mm	12.5	13.5	14.5
E	mm	63	86	106
F	mm	181	230	269
G	mm	7.2	9	9
Output data	Bluetooth® wireless technology*			
Prot. rating accor. to IEC 60529	IP67 even connected			
Setting by PC	●			
Adjustable measuring force	5N / 10N		10N	
Non-rotating spindle	●			
Fast movement	●			
Preset function	●			
Smart Inductive Sensor	●			

<sup>1)</sup> according to DIN 863

<sup>2)</sup> ± 1 digit

<sup>3)</sup> Other anvils type on demand.

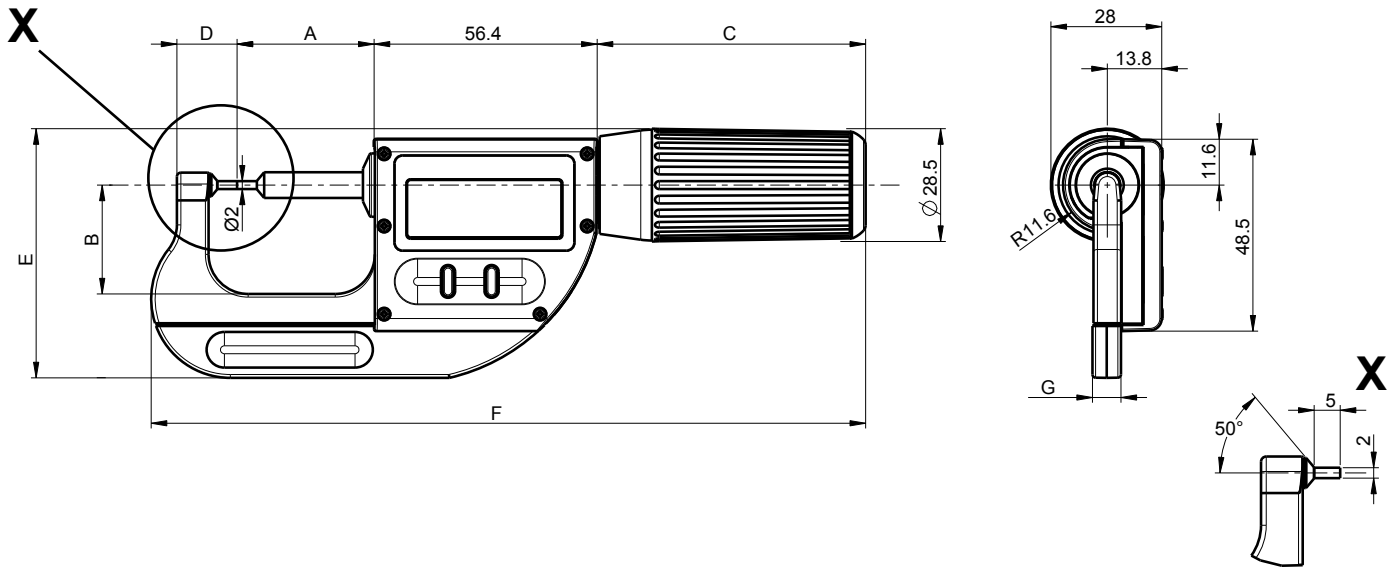
\* Up to 8 instruments connected per dongle #981.7100  
More informations on How to use Bluetooth® leaflet SYL\_1401\_EN\_BT

# Professional micrometer

# S\_Mike PRO

## DIMENSIONAL DRAWING

## CYLINDRICAL Ø2



## TECHNICAL SPECIFICATIONS

		803.0301	903.0601	903.1001	803.0307
Measuring range	mm	0-25	25-60	60-95	0-25
Max. Error G <sup>1)</sup>	µm	3	4	5	3
Repeatability <sup>2)</sup>	µm	1	1	1	1
Anvils types			Ø2		Ø2
A	mm	34.6	70.6	106.6	34.6
B	mm	27.5	43	60	27.5
C	mm	68	74	74	68
D	mm	15.2	16.2	17.2	15.2
E	mm	63	86	106	63
F	mm	181	230	269	181
G	mm	7.2	9	9	7.2
Output data		USB / RS 232 <sup>3)</sup>			Bluetooth*
Prot. rating accor. to IEC 60529		IP67 even connected			
Setting by PC			●		
Adjustable measuring force		5N / 10N		10N	5N / 10N
Non-rotating spindle			●		
Fast movement			●		
Preset function			●		
Smart Inductive Sensor			●		

<sup>1)</sup> according to DIN 863

<sup>2)</sup> ± 1 digit

<sup>3)</sup> see cables chapter

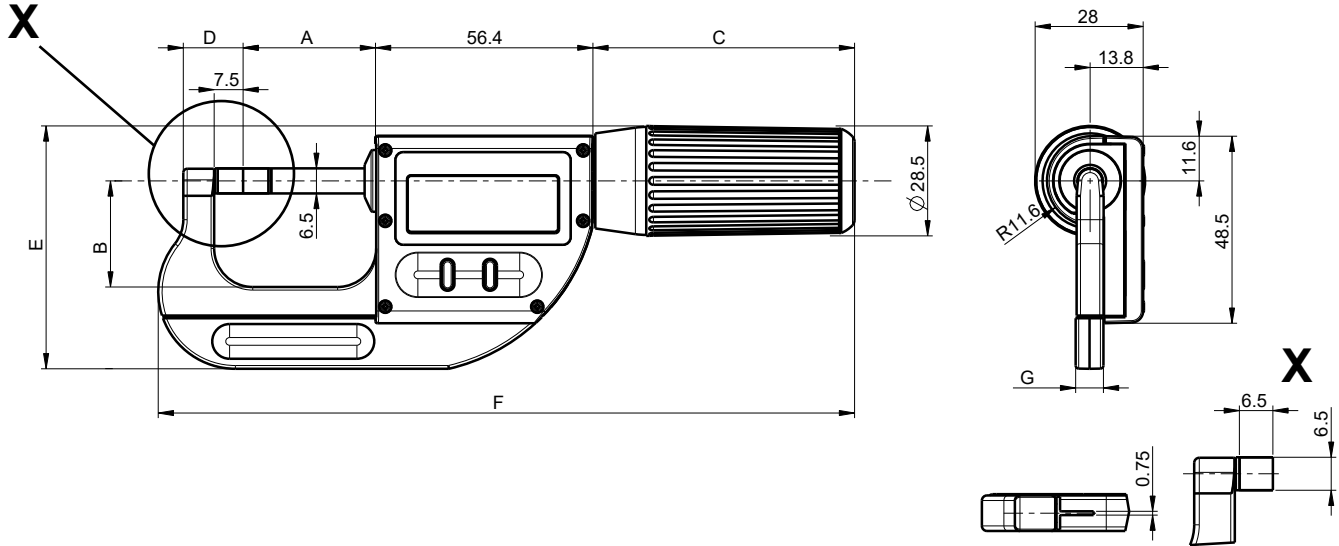
\* Up to 8 instruments connected per dongle #981.7100  
More informations on How to use Bluetooth® leaflet SYL\_1401\_EN\_BT

# Professional micrometer

# S\_Mike PRO

## DIMENSIONAL DRAWING

## KNIFE-SHAPED



## TECHNICAL SPECIFICATIONS

		803.0302	903.0602	903.1002	903.1302	903.1602	803.0308
Measuring range	mm	0-25	25-60	60-95	95-130	120-155	0-25
Max. Error G <sup>1)</sup>	µm	3	4	5	6	7	3
Repeatability <sup>2)</sup>	µm	1	1	1	2	2	1
Anvils types		0.75x6.5					0.75x6.5
A	mm	34.3	70.3	106.3	140.3	165.3	34.3
B	mm	27.5	43	60	95	110	27.5
C	mm	68	74	74	74	74	68
D	mm	15.5	16.5	17.5	22.5	22.5	15.5
E	mm	63	86	106	151	169	63
F	mm	181	230	269	306	339	181
G	mm	7.2	9	9	9	9	7.2
Output data		USB / RS 232 <sup>3)</sup>					Bluetooth*
Prot. rating accor. to IEC 60529		IP67 even connected					
Setting by PC		●					
Adjustable measuring force		5N / 10N	10N			5N / 10N	
Non-rotating spindle		●					
Fast movement		●					
Preset function		●					
Smart Inductive Sensor		●					

<sup>1)</sup> according to DIN 863

<sup>2)</sup> ± 1 digit

<sup>3)</sup> see cables chapter

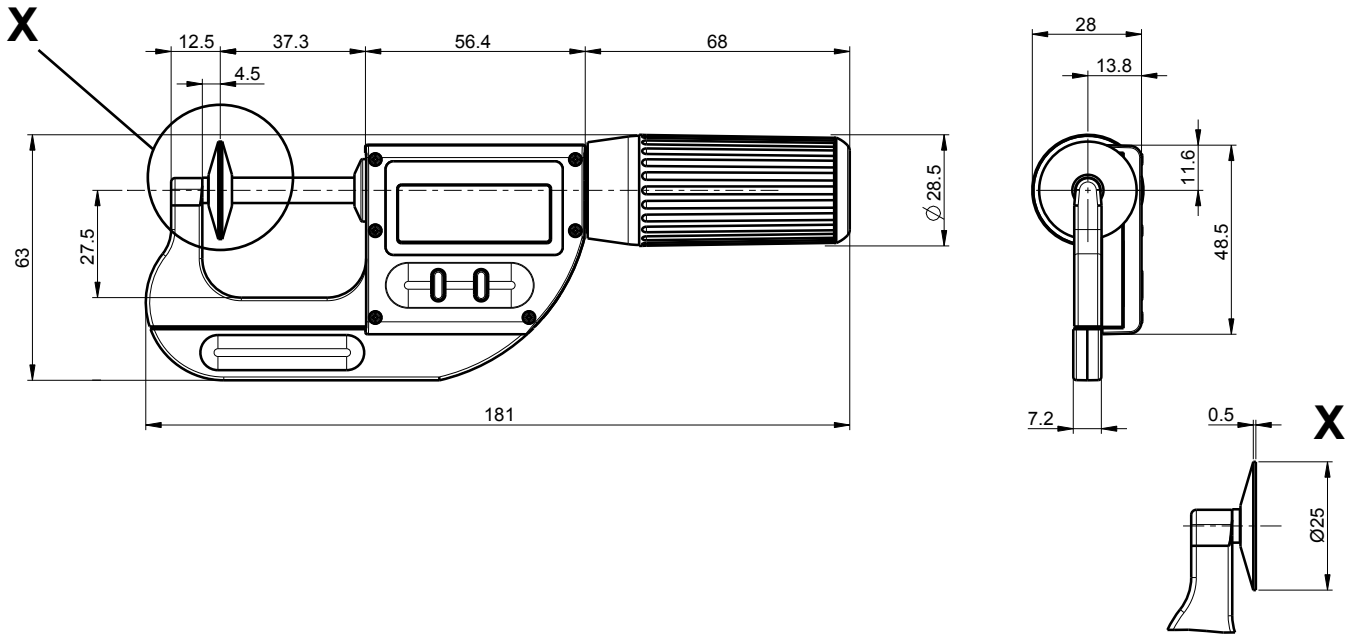
\* Up to 8 instruments connected per dongle #981.7100  
More informations on How to use Bluetooth® leaflet SYL\_1401\_EN\_BT

# Professional micrometer

# S\_Mike PRO

DIMENSIONAL DRAWING

DISC-SHAPED



## TECHNICAL SPECIFICATIONS

		803.0303
Measuring range	mm	0-30
Max. Error G <sup>1)</sup>	µm	4 (full-touch-contact) / 10 (partial contact)
Repeatability <sup>2)</sup>	µm	1
Flatness	µm	2
Parallelism	µm	5 (full-touch-contact) / 10 (partial contact)
Gear unit		Measurable module ≥ 0.5
Anvils types		Ø25
Output data		USB / RS 232 <sup>3)</sup>
Prot. rating accor. to IEC 60529		IP67 even connected
Setting by PC		●
Adjustable measuring force		5N
Non-rotating spindle		●
Fast movement		●
Preset function		●
Smart Inductive Sensor		●

<sup>1)</sup> according to DIN 863

<sup>2)</sup> ± 1 digit

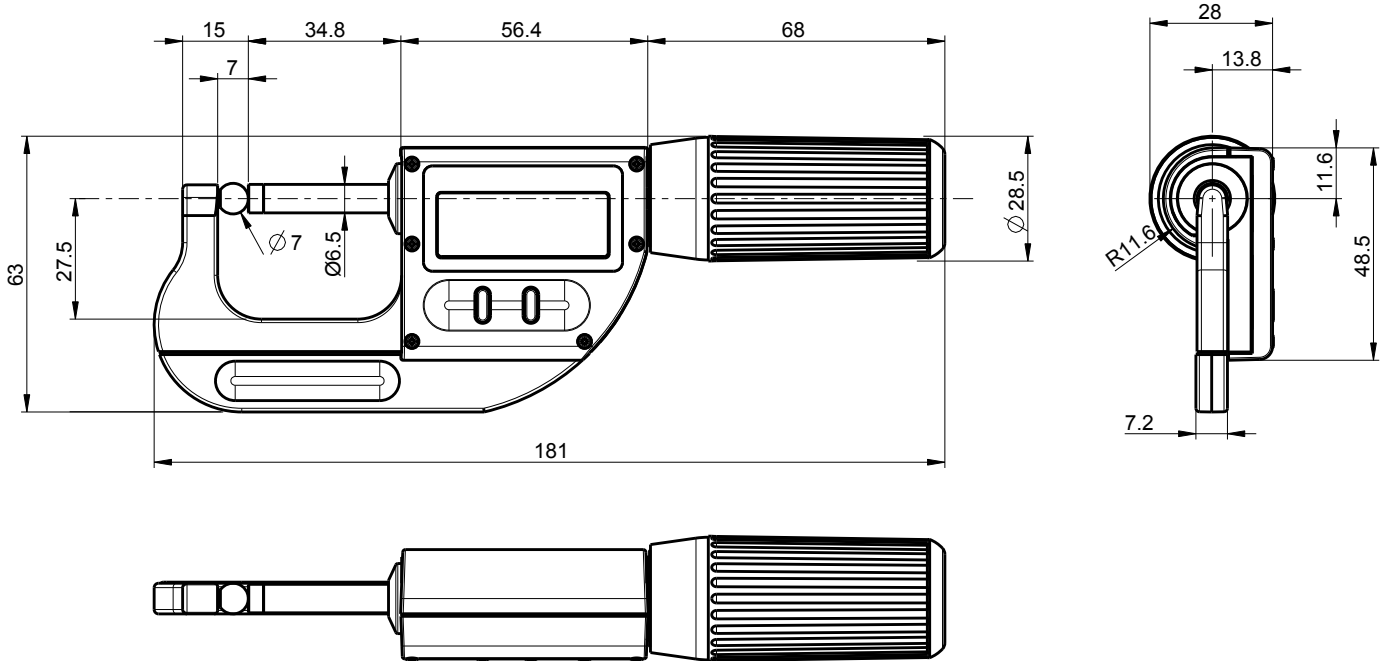
<sup>3)</sup> see cables chapter

# Professional micrometer

# S\_Mike PRO

DIMENSIONAL DRAWING

FLAT Ø6.5 / SPHERICAL Ø7



## TECHNICAL SPECIFICATIONS

		903.0304
Measuring range	mm	0-30
Max. Error G <sup>1)</sup>	µm	3
Repeatability <sup>2)</sup>	µm	1
Parallelism	µm	1
Anvils types		Ø7 flat and Ø7 spherical
Output data		USB / RS 232 / Wireless <sup>3)</sup>
Prot. rating accor. to IEC 60529		IP67 even connected
Setting by PC		●
Adjustable measuring force		5N / 10N
Non-rotating spindle		●
Fast movement		●
Preset function		●
Smart Inductive Sensor		●

<sup>1)</sup> according to DIN 863

<sup>2)</sup> ± 1 digit

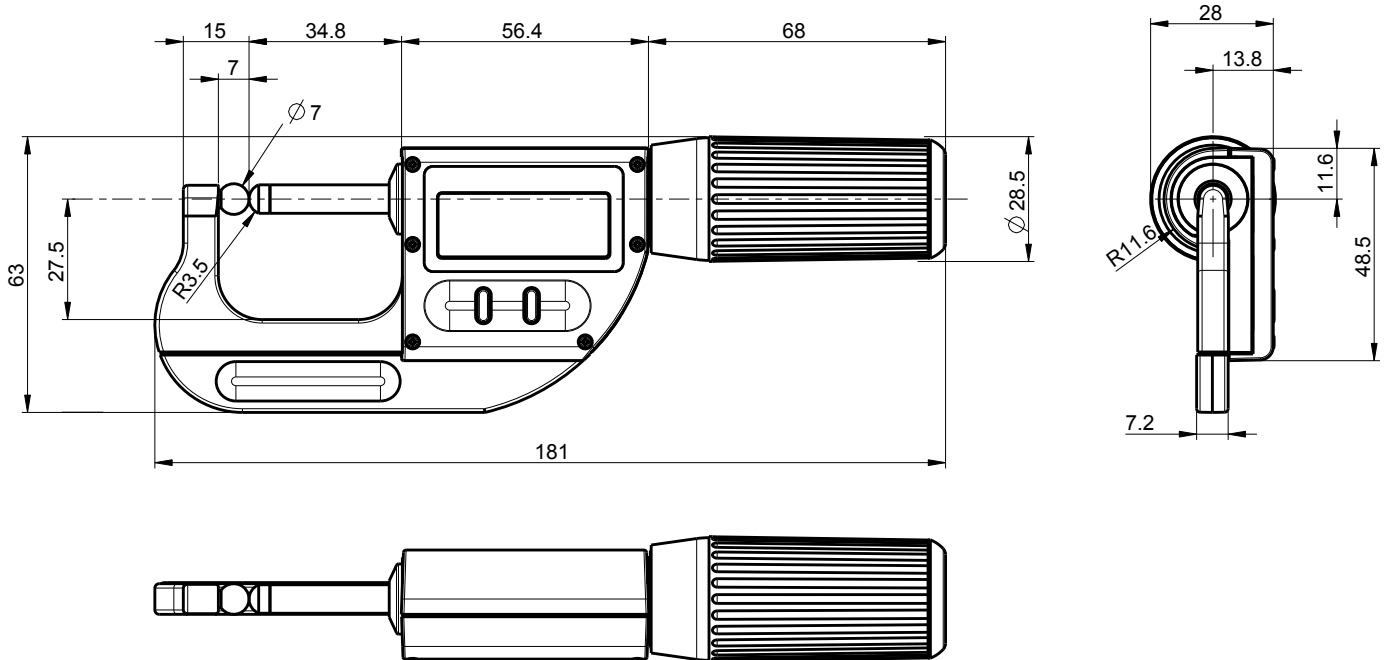
<sup>3)</sup> see cables chapter

# Professional micrometer

# S\_Mike PRO

DIMENSIONAL DRAWING

SPHERICAL Ø7



D

## TECHNICAL SPECIFICATIONS

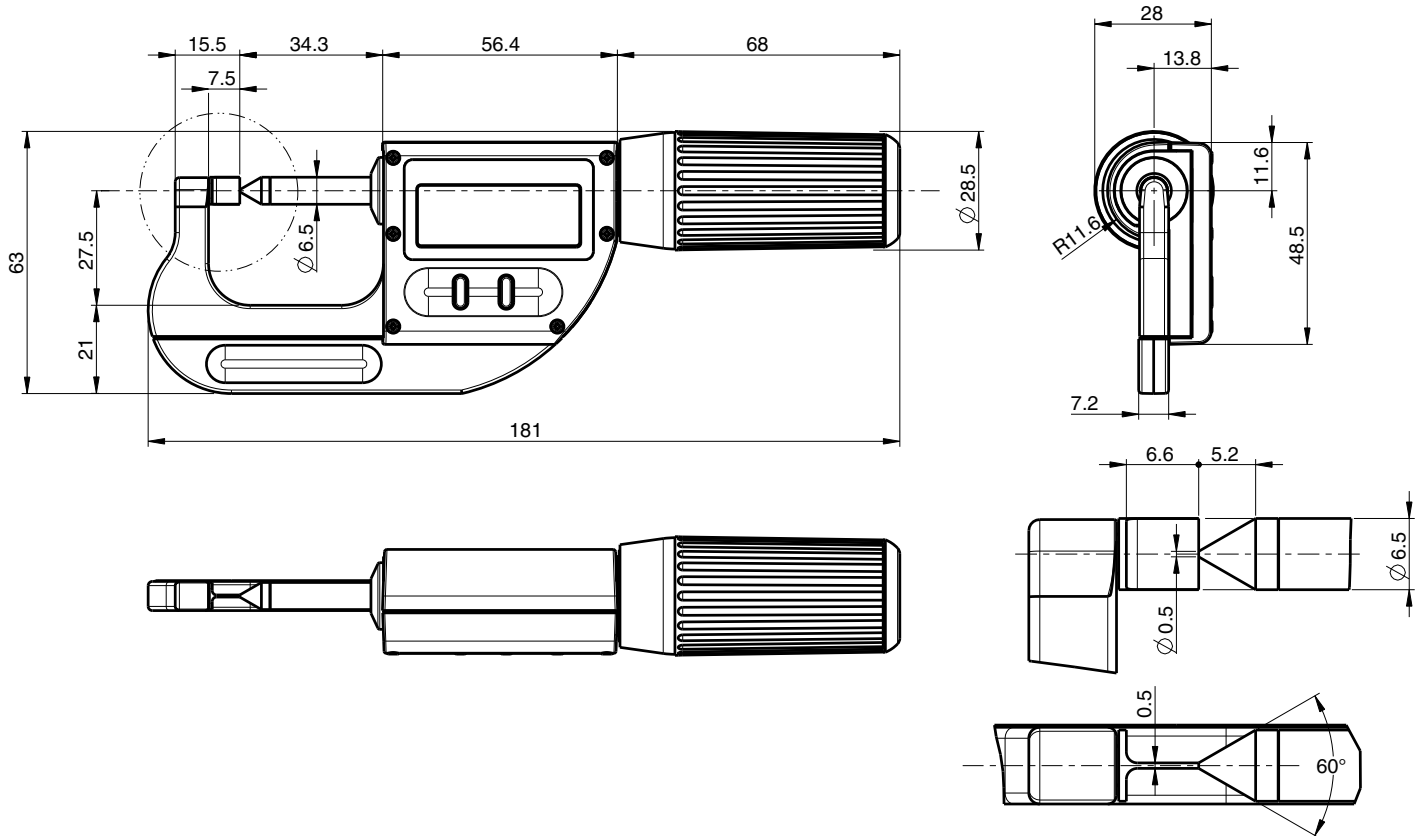
		903.0305
Measuring range	mm	0-30
Max. Error G <sup>1)</sup>	µm	4
Repeatability <sup>2)</sup>	µm	1
Anvils types		Ø7 2 spherical
Output data		USB / RS 232 / Wireless <sup>3)</sup>
Prot. rating accor. to IEC 60529		IP67 even connected
Setting by PC		●
Adjustable measuring force		5N / 10N
Non-rotating spindle		●
Fast movement		●
Preset function		●
Smart Inductive Sensor		●

<sup>1)</sup> according to DIN 863

<sup>2)</sup> ± 1 digit

<sup>3)</sup> see cables chapter

**Built-in Bluetooth®** Cable crimping



## TECHNICAL SPECIFICATIONS

		803.0309
Measuring range	mm	0-25
Max. Error G <sup>1)</sup>	µm	3
Repeatability <sup>2)</sup>	µm	1
Anvils types		Knife 0.5mm - cone 60°/∅0.5mm
Output data		Bluetooth® wireless technology*
Prot. rating accor. to IEC 60529		IP67 even connected
Setting by PC		●
Adjustable measuring force		5N / 10N
Non-rotating spindle		●
Fast movement		●
Preset function		●
Smart Inductive Sensor		●

<sup>1)</sup> according to DIN 863

<sup>2)</sup> ± 1 digit

**\* Up to 8 instruments connected per dongle #981.7100**  
More informations on How to use Bluetooth® leaflet SYL\_1401\_EN\_BT

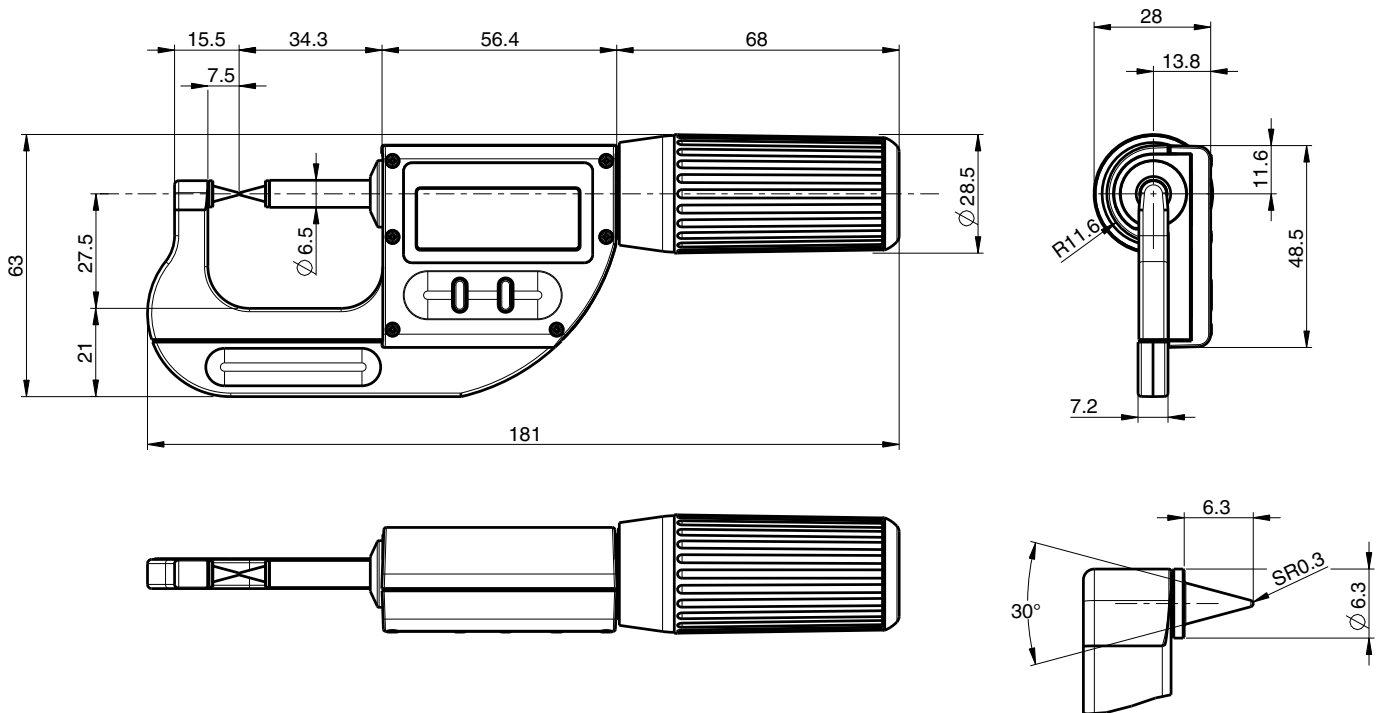
# Professional micrometer

# S\_Mike PRO

DIMENSIONAL DRAWING

POINT / SPHERICAL

**Built-in Bluetooth®** **Fluted Shaft**



D

## TECHNICAL SPECIFICATIONS

		803.0310
Measuring range	mm	0-25
Max. Error G <sup>1)</sup>	$\mu\text{m}$	3
Repeatability <sup>2)</sup>	$\mu\text{m}$	1
Anvils types		Point 30° - spherical radius 0.3mm
Output data		Bluetooth® wireless technology*
Prot. rating accor. to IEC 60529		IP67 even connected
Setting by PC		●
Adjustable measuring force		5N / 10N
Non-rotating spindle		●
Fast movement		●
Preset function		●
Smart Inductive Sensor		●

<sup>1)</sup> according to DIN 863

<sup>2)</sup>  $\pm 1$  digit

**\* Up to 8 instruments connected per dongle #981.7100**  
**More informations on How to use Bluetooth® leaflet SYL\_1401\_EN\_BT**



# Professional micrometer

# S\_Mike PRO

## BASIC INSTRUMENT



903.1301



910.1301 including:  
910.1502, 903.0300 and 903.0330



910.1304 including:  
810.1506, 803.0306 and 805.6301

		903.1300	903.1301	910.1301	910.1304	910.1306
Measuring range	mm	0-102	0-102	150 / 0-30	150 / 0-30 / 12.5	0-102
Plastic case		●	-	-	●	●
Aluminium case		-	●	●	-	-
Output data		USB / RS 232			Bluetooth®	

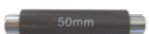
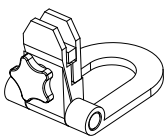
## BASIC INSTRUMENT

## MICROMETERS SETS

- Instrument according to technical specifications
- Setting master 50 mm (for 903.060X)
- Setting master 75 mm (for 903.100X)
- Lithium battery CR2032 included
- Instruction manual
- Calibration certificate

- 803.0300 / 903.0600 / 903.1000
- Setting master 50 mm
- Setting master 75 mm
- Lithium battery CR2032 included
- Instruction manual
- Calibration certificate

## ACCESSORIES



75mm

125mm

**903.0330**

Stand

**903.0620**

Setting master 50 mm

**903.1020**

Setting master 75 mm

**903.1620**

Setting master 125 mm

# Professional micrometer

# S\_Mike PRO

## MODELS



Cylindrical Ø6.5mm Proximity /  
Cylindrical Ø6.5mm Smart



Disk Ø25mm



Ball-Ball Ø7mm



Flat Ø6.5mm-Ball Ø7mm



Knife 0.75x6.5mm



Cylindrical Ø2mm



Cable crimping Knife 0.5mm -  
cone 30° / Ø0.5mm Smart



Fluted Shaft - Point 30° - ball  
Ø0.3mm Smart

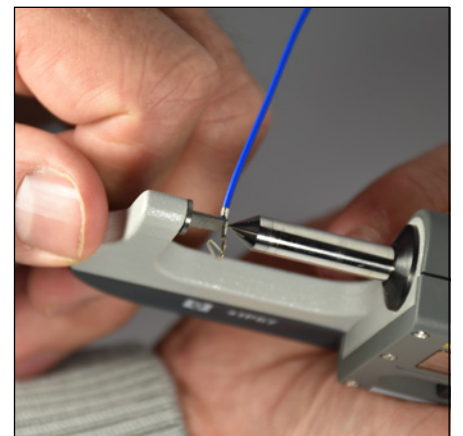
## APPLICATIONS



Part measurement with a S\_Mike PRO Disk



Length measurement of a lathed part



Cable crimping measurement



# SMALL & MID-SIZE INSTRUMENTS

---

Sylvac's innovation and ingenuity are perfectly represented by the small and mid-size instruments described in this chapter.

You will find there, as a world première, the digital thickness gauge, the protractor, micrometer screws and much more.

**Sylvac inductive measuring system (patented)**

**Data output**

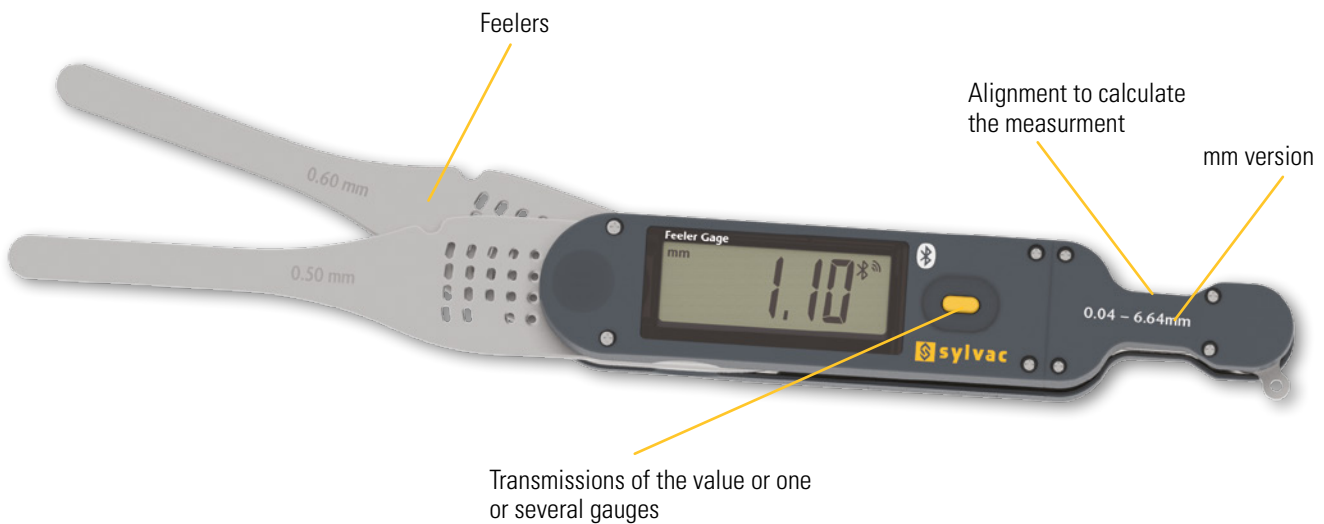
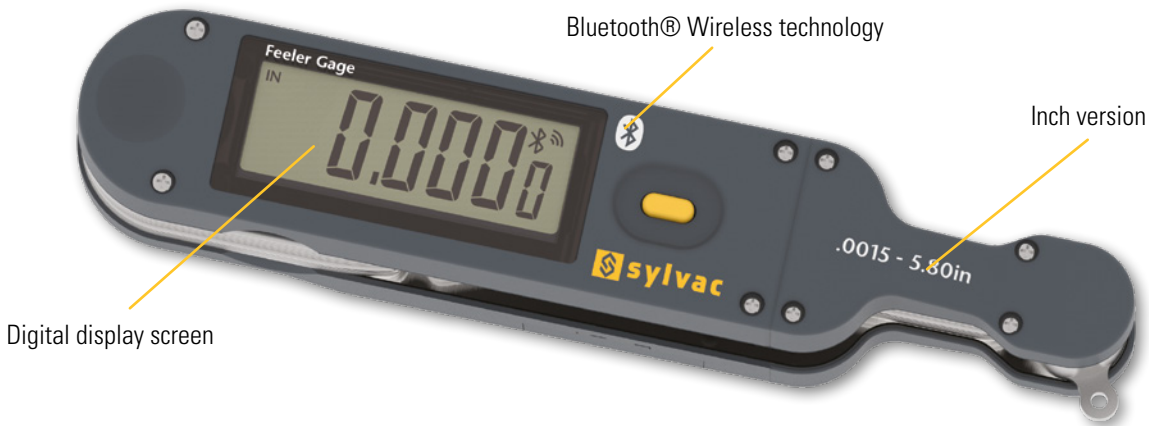
**Power supply: Lithium battery 3V, Type CR 2032**



# Digital thickness gauge      Feeler Gage Smart

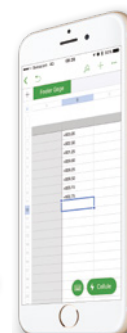
## DESCRIPTION

- Digital thickness gauge with **integrated Bluetooth® Wireless technology**
- **For gap measurement and setting with data transmission**
- Thickness: 0.05...1.00mm, 0.04...1.00mm ou 0.0015...0.0300inch
- First Sylvac instrument with HID technology
- Versions with 19 or 20 gauges (according to model)
- Alignment of feelers in one crimp between the thumb and index finger
- Calculation and display of the stacking value of several gauges
- Instrument with a modern design that is easy to use



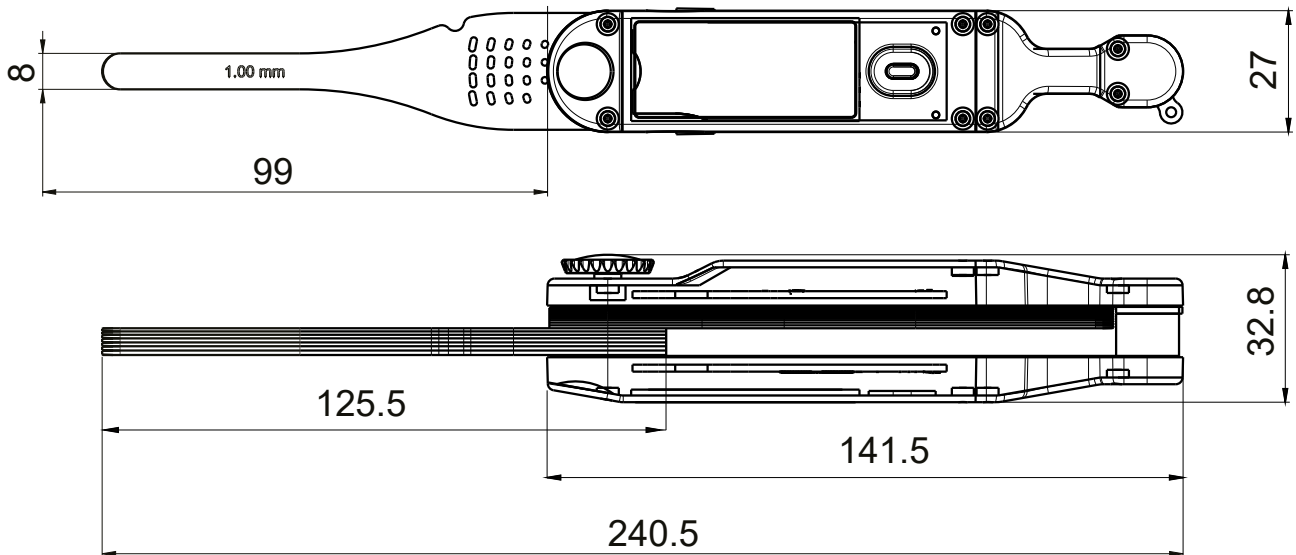
**First Sylvac instrument with HID technology!**

Transmission of data into any software or application, without dongle. Can be used with Microsoft (W7, 8, 10), Android or Apple.



# Digital thickness gauge Feeler Gage Smart

## DIMENSIONAL DRAWING



### Model 921.0100

The thickness may differ slightly for the other models according to the number of gauges.

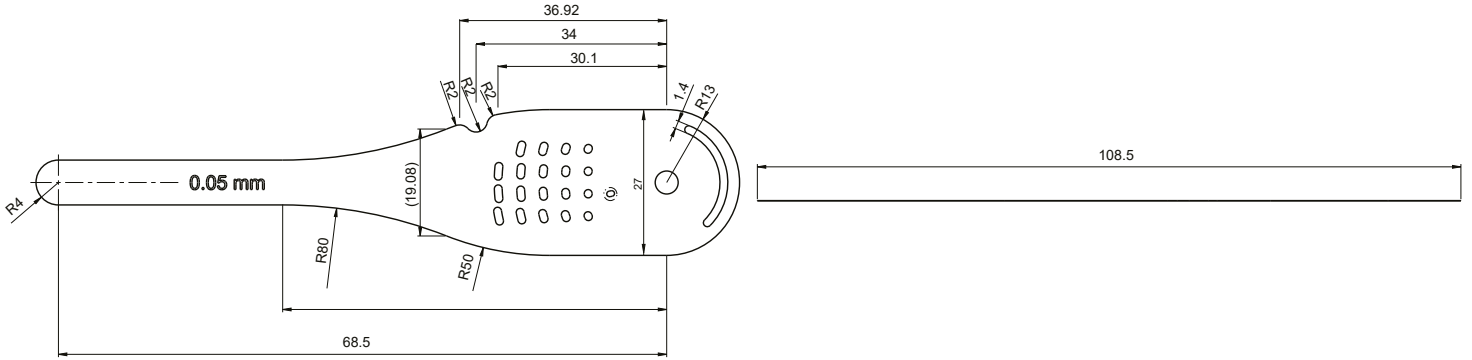
## TECHNICAL SPECIFICATIONS

		921. 0100	921. 0110	921. 0114
Type of version		mm	mm	inch
Measurement capacity	mm/in	0.05...1.00 mm	0.04...1.00 mm	0.0015...0.0300 in
Feelers thickness	mm	0.05, 0.10, 0.15, 0.20, 0.25, 0.30, 0.35, 0.40, 0.45, 0.50, 0.55, 0.60, 0.65, 0.70, 0.75, 0.80, 0.85, 0.90, 0.95, 1.00	0.04, 0.05, 0.06, 0.07, 0.08, 0.09, 0.10, 0.15, 0.20, 0.25, 0.30, 0.35, 0.40, 0.50, 0.60, 0.70, 0.80, 0.90, 1.00	0.0015, 0.0020, 0.0030, 0.0040, 0.0050, 0.0060, 0.0070, 0.0080, 0.0090, 0.0100, 0.0120, 0.0140, 0.0150, 0.0160, 0.0180, 0.0200, 0.0220, 0.0250, 0.0300
Usable length	mm	99		
Thickness Tolerance Class according to DIN 2275		TC1		
Protection rating according to IEC 529		IP65		
Output data		Bluetooth® wireless technology*		
Number of feelers		20	19	19
Weight	g	280	224	212
Functions		Unit (mm/inch) & Bluetooth® HID profile		

# Digital thickness gauge

# Feeler Gage Smart

## REPLACEMENT FEELERS



		921.1000	921.1001	921.1002	921.1003	921.1004	921.1005	921.1006	921.1007	921.1008
Thickness	mm	0.04	0.05	0.06	0.07	0.08	0.09	0.10	0.15	0.20
Tolerance	mm	±0.004	±0.004	±0.004	±0.004	±0.004	±0.004	±0.004	±0.005	±0.006

		921.1009	921.1010	921.1011	921.1012	921.1013	921.1014	921.1015	921.1016	921.1017
Thickness	mm	0.25	0.30	0.35	0.40	0.45	0.50	0.55	0.60	0.65
Tolerance	mm	±0.006	±0.007	±0.007	±0.007	±0.007	±0.007	±0.007	±0.007	±0.007

		921.1018	921.1019	921.1020	921.1021	921.1022	921.1023	921.1024
Thickness	mm	0.70	0.75	0.80	0.85	0.90	0.95	1.00
Tolerance	mm	±0.007	±0.007	±0.009	±0.009	±0.009	±0.009	±0.009

		921.1025	921.1026	921.1027	921.1028	921.1029	921.1030	921.1031
Thickness	inch	0.0015	0.0020	0.0030	0.0040	0.0050	0.0060	0.0070
Tolerance	mm	±0.004	±0.004	±0.004	±0.004	±0.004	±0.004	±0.005

		921.1032	921.1033	921.1034	921.1035	921.1036	921.1037	921.1038
Thickness	inch	0.0080	0.0090	0.0100	0.0120	0.0140	0.0150	0.0160
Tolerance	mm	±0.005	±0.006	±0.006	±0.007	±0.007	±0.007	±0.007

		921.1039	921.1040	921.1041	921.1042	921.1043
Thickness	inch	0.0180	0.0200	0.0220	0.0250	0.0300
Tolerance	mm	±0.007	±0.007	±0.007	±0.007	±0.007

# Digital thickness gauge

# Feeler Gage Smart

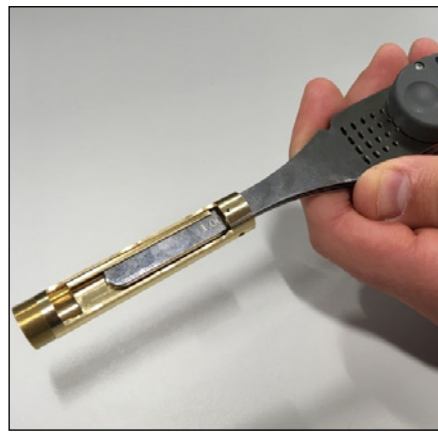
## BASIC INSTRUMENT

- Instrument according to technical specifications
- Lithium battery CR2032 included
- Instruction manual
- Lanyard

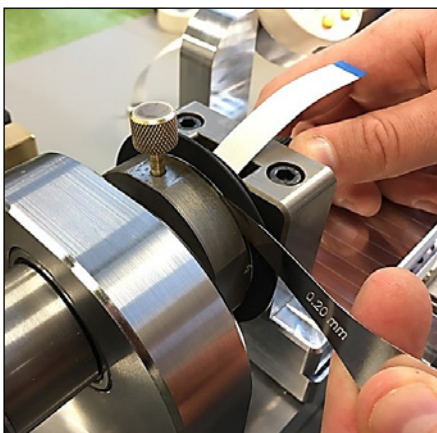
## APPLICATIONS



Gap measurement



Gap measurement



Gap setting



Valve adjustment



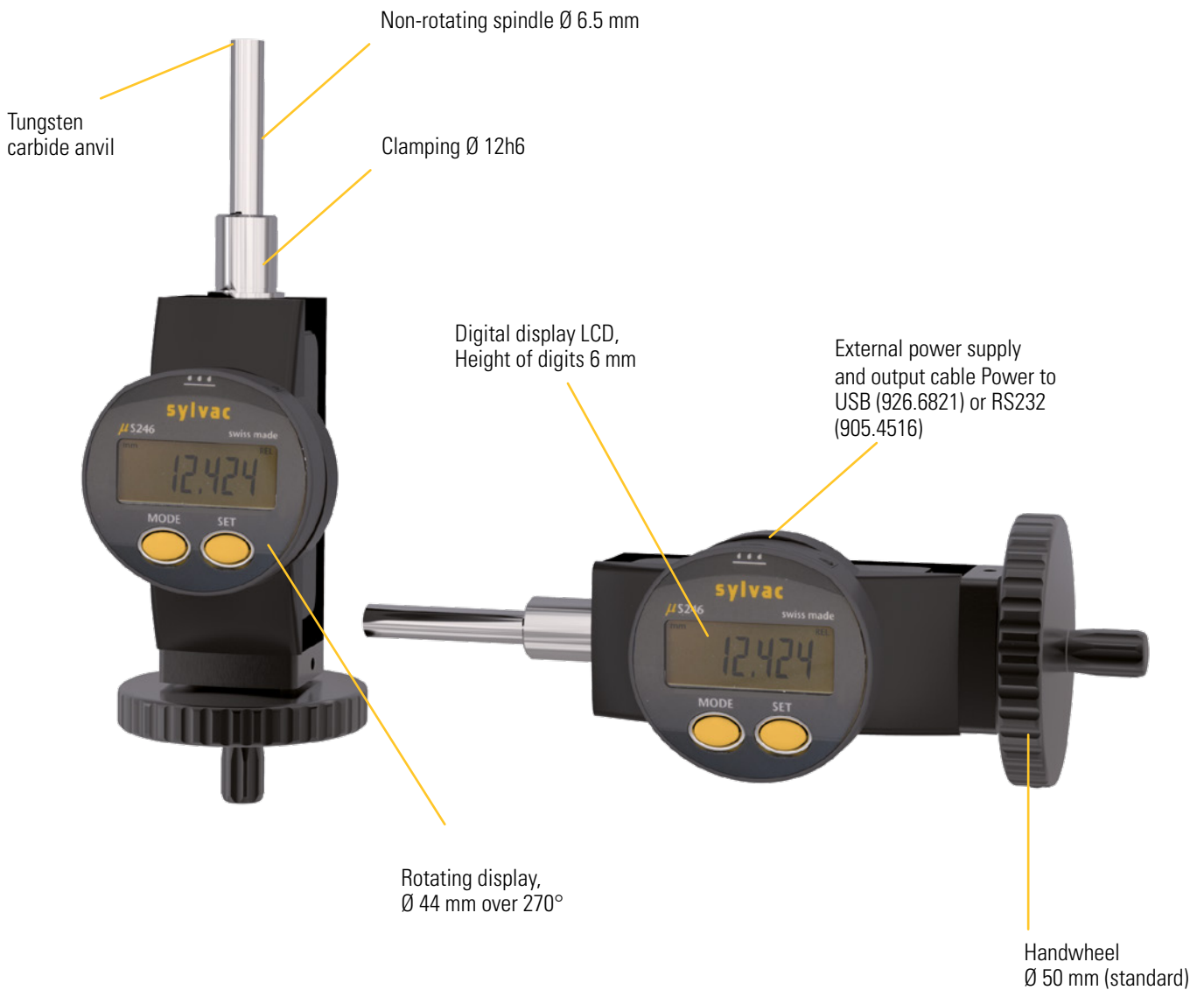
Data transmission via HID



# Digital micrometer screws

## DESCRIPTION

- Data output RS232, combined with external power supply
- Fine adjustment available (accessories)
- Horizontal and Vertical use (same type)
- Reduced dimensions (compact)
- Other handwheels on request



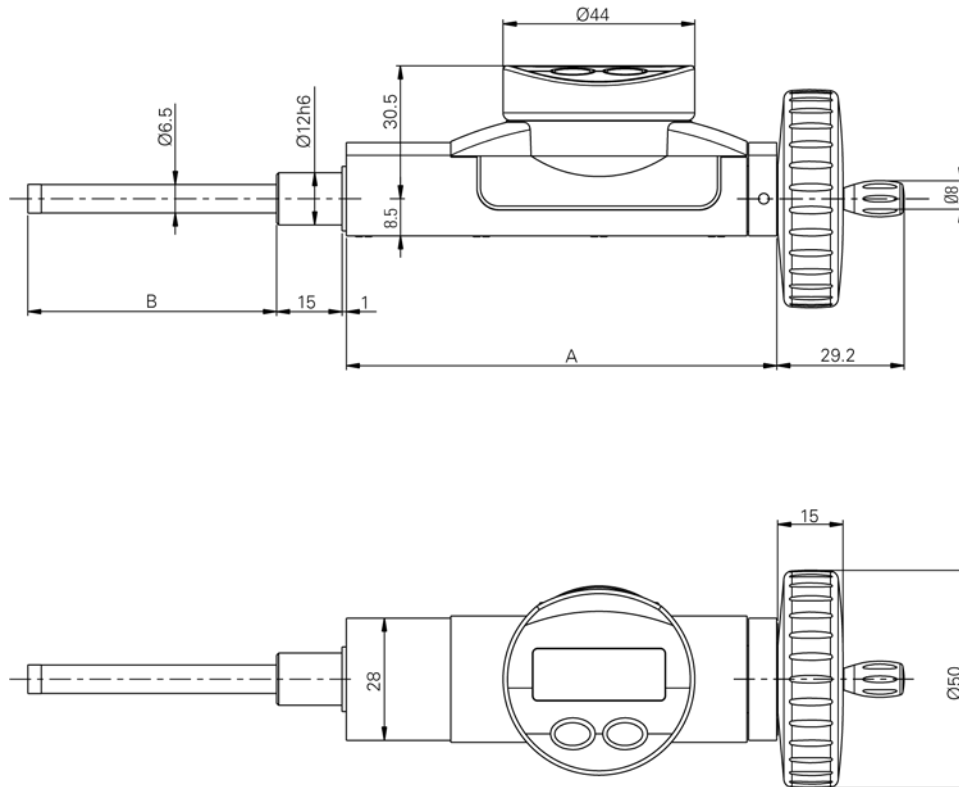
POWER 

 **SWISS MADE**

 WATER RESISTANT

# Digital micrometer screws

## DIMENSIONAL DRAWING



## TECHNICAL SPECIFICATIONS

		852.2001	852.2011
Measuring range	mm	0-25	0-50
Max. Error	µm	5	8
Repeatability	µm	2	2
Resolution	mm	0.001	0.001
A	mm	74.5	98.5
B	mm	33.1	57.1
Output data		USB / RS232 <sup>1)</sup>	
Selection of measuring direction		•	
PRESET function		•	
Absolute or relative measurement		•	

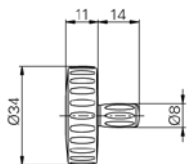
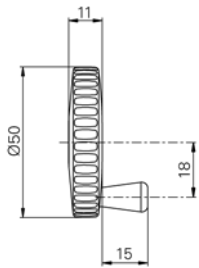
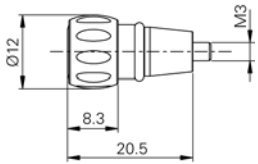
<sup>1)</sup> see cables chapter

# Digital micrometer screws

## BASIC INSTRUMENT

- Instrument according to technical specifications
- Lithium battery CR2032 included
- Instruction manual
- Handwheel Ø 50 mm (852.2311)
- Calibration certificate

## ACCESSORIES



**852.2310**

Fine adjustment device

**852.2311**

Handwheel Ø 50 mm with crank handle for fast motion

**852.2312**

Handwheel Ø 34 mm

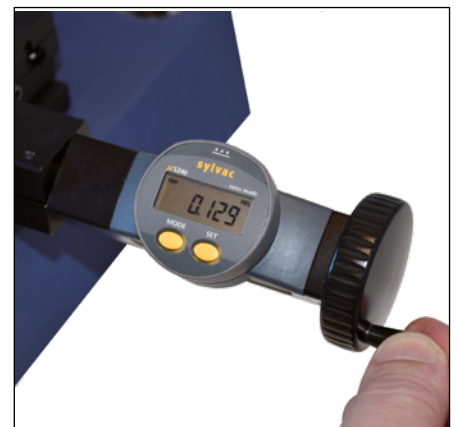
## APPLICATIONS



Fine adjustment device type 852.2310



Use on measuring microscope



Handwheel use

# Protractor

# S239 Smart

## DESCRIPTION

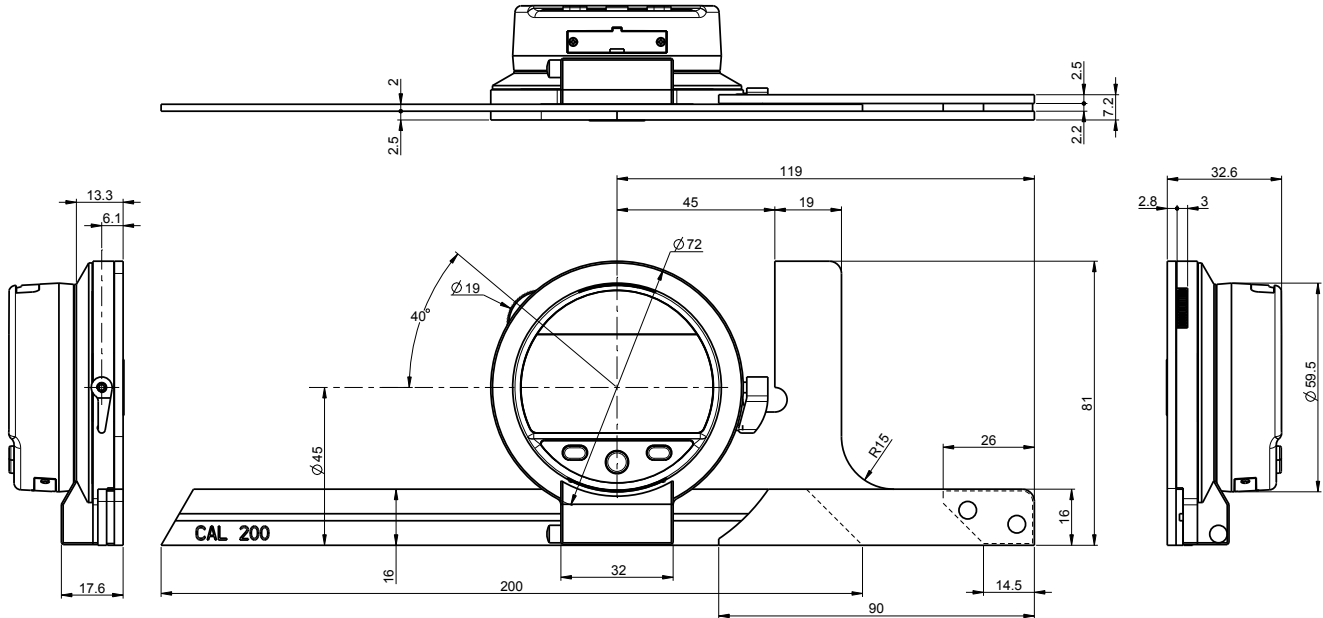
- **Integrated Bluetooth® Wireless technology, Power & Proximity**
- Measuring range 1x360°, 2x180°, 4x90°
- Mechanical parts in stainless steel



# Protractor

# S239 Smart

## DIMENSIONAL DRAWING



## TECHNICAL SPECIFICATIONS

	820.1706
Measuring range	1x360°, 2x180°, 4x90°
Accuracy	4 minutes of arc / 0.06° / 0.0012 rad
Resolution	0.01° / 1 minute of arc (0°01') / 0.0001 rad
Repeatability	0.01°
Max. rotation speed	1080° / sec
Protection rating according to IEC 529	IP54
Output data	Bluetooth® wireless technology* / USB / RS232
Functions	Unit ( <i>dEG, rAd or d-A</i> ), reference, Preset, Measurement direction, mode MIN/MAX/ DELTA, tolerance display, switch off, keypad lock

<sup>1)</sup> see cables chapter

**\* Up to 8 instruments connected per dongle #981.7100**  
**More informations on How to use Bluetooth® leaflet SYL\_1401\_EN\_BT**

## BASIC INSTRUMENT

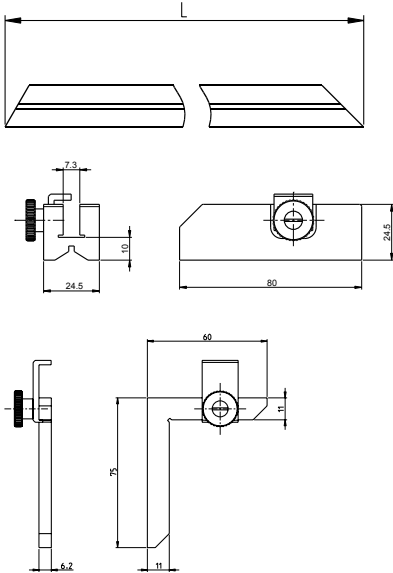
- Instrument according to technical specifications
- Wooden box <sup>2)</sup>
- Scale 200 mm (820.2420)
- Lithium battery CR2032 included
- Instruction manual

<sup>2)</sup> Fumigated, compatible ISPM 15 and NIMP 15

# Protractor

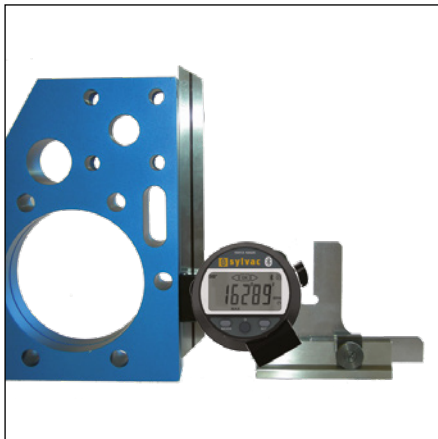
# S239 Smart

## ACCESSORIES

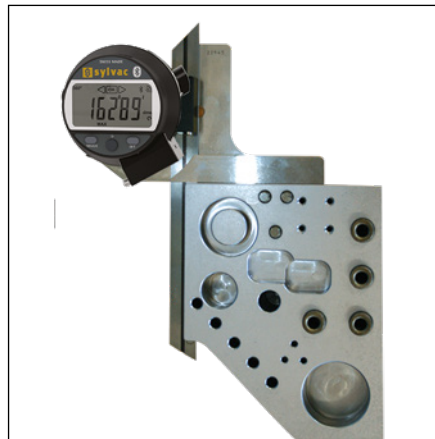


<b>820.2420</b>	Scale L 200 mm
<b>820.2430</b>	Scale L 300 mm
<b>820.2450</b>	Scale L 500 mm
<b>820.2460</b>	Stand for vertical application and small angular measurements
<b>820.2461</b>	Square for small angular measurements

## APPLICATIONS



Measurement with accessory type 820.2460



Standard measurement



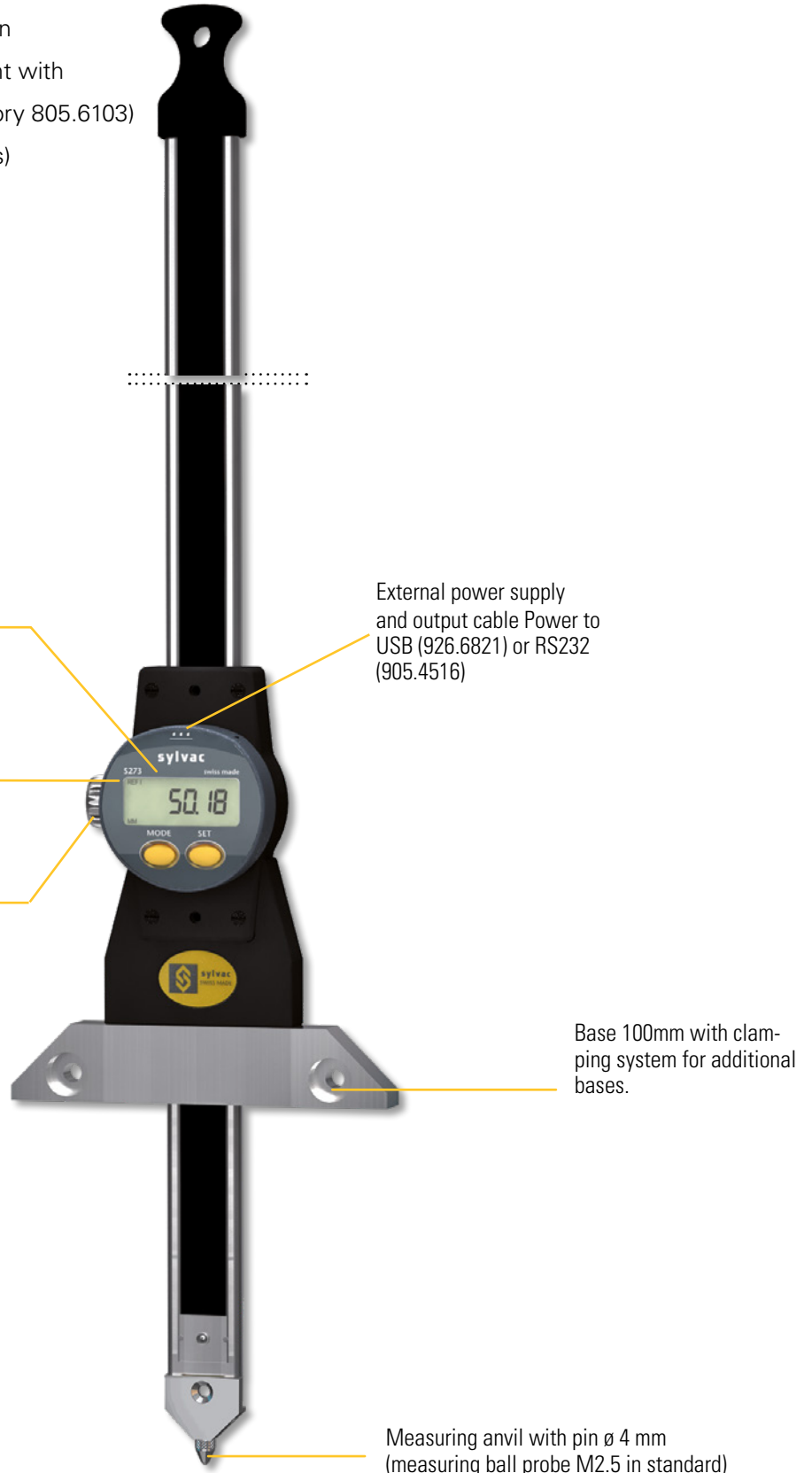
Measurement with accessory type 820.2461

# Depth gauge

# S\_Depth PRO

## DESCRIPTION

- PRESET function
- Automatic switching of measuring direction
- Setting of the «constant» for measurement with cylindrical or spherical anvils (with accessory 805.6103)
- Additional bases available (see accessories)



POWER 

 **SWISS MADE**

**SIS** Smart Inductive System

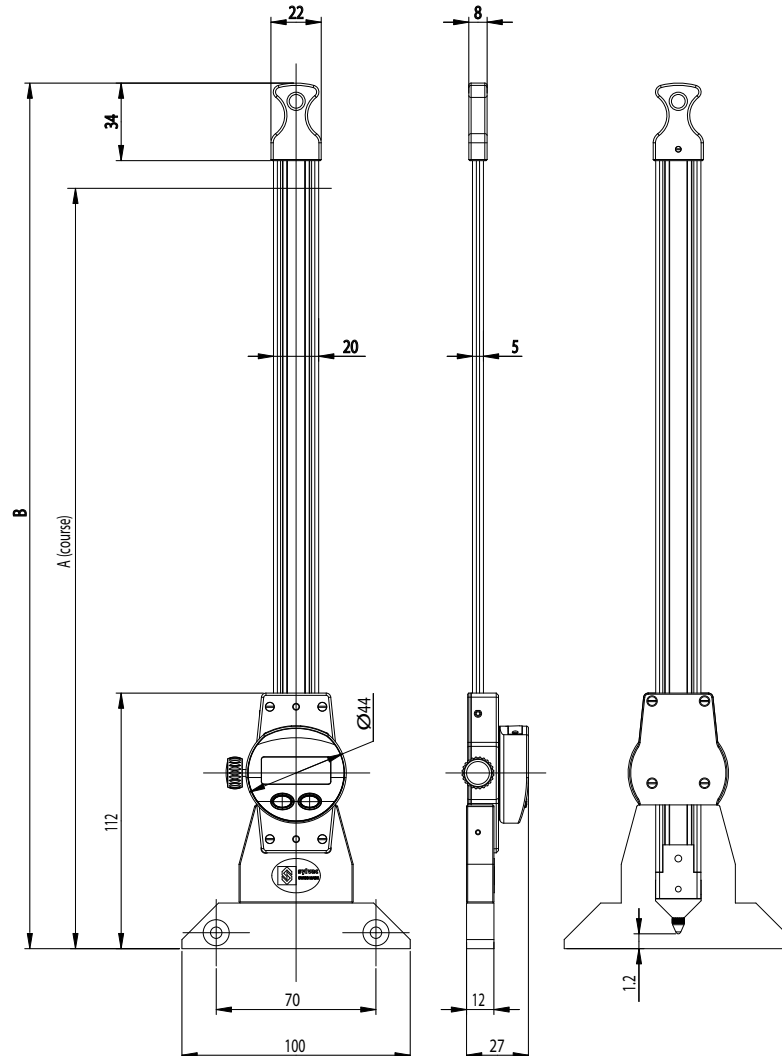
 WATER RESISTANT

**IP65**

# Depth gauge

# S\_Depth PRO

## DIMENSIONAL DRAWING



## TECHNICAL SPECIFICATIONS

		805.6005	805.6006
Measuring range	mm	300	600
Max. Error	µm	30	40
Repeatability <sup>1)</sup>	µm	10	10
A	mm	422	625
B	mm	483	773
Output data		USB / RS232 <sup>2)</sup>	
2 References		●	
PRESET function		●	

<sup>1)</sup> ± 1 digit

<sup>2)</sup> see cables chapter



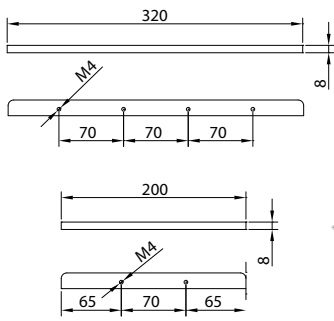
# Depth gauge

# S\_Depth PRO

## BASIC INSTRUMENT

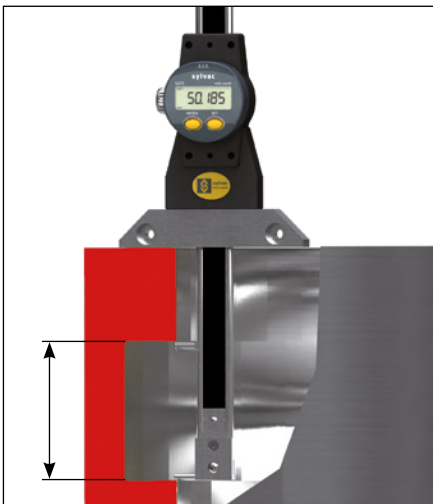
- Instrument according to technical specifications
- Lithium battery CR2032 included
- Instruction manual
- Ball probe M2.5 Ø2mm (805.6101)

## COMPATIBLE ACCESSORIES



		Length	Thickness
<b>812.2241</b>	Additional base	200 mm	8 mm
<b>812.2240</b>	Additional base	320 mm	8 mm
<b>805.6101</b>	Ball probe M2.5 (standard)		
<b>805.6102</b>	Anvils UP&DOWN		
<b>805.6103</b>	Anvil with pin Ø4 mm		

## APPLICATIONS



Measure of an internal groove (height) thanks to the constant.



Depth measurement



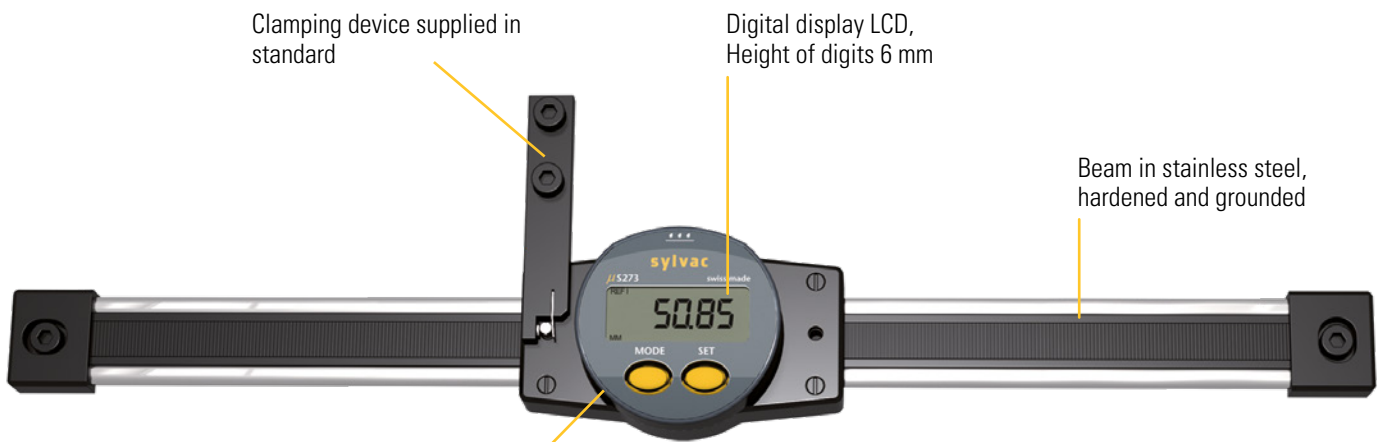
Depth measurement in a drilling with an additional base

# Digital scales

# S\_Scale WORK

## DESCRIPTION

- Max displacement speed: 2 m/sec
- RS232 or USB Data output
- External power supply by Power cable
- Easy to integrate in your projects



Aluminium carriage  
Plastic rotating display on 270°

External power supply and output cable Power to USB (926.6821) or RS232 (905.4516)



POWER 

 **SWISS MADE**

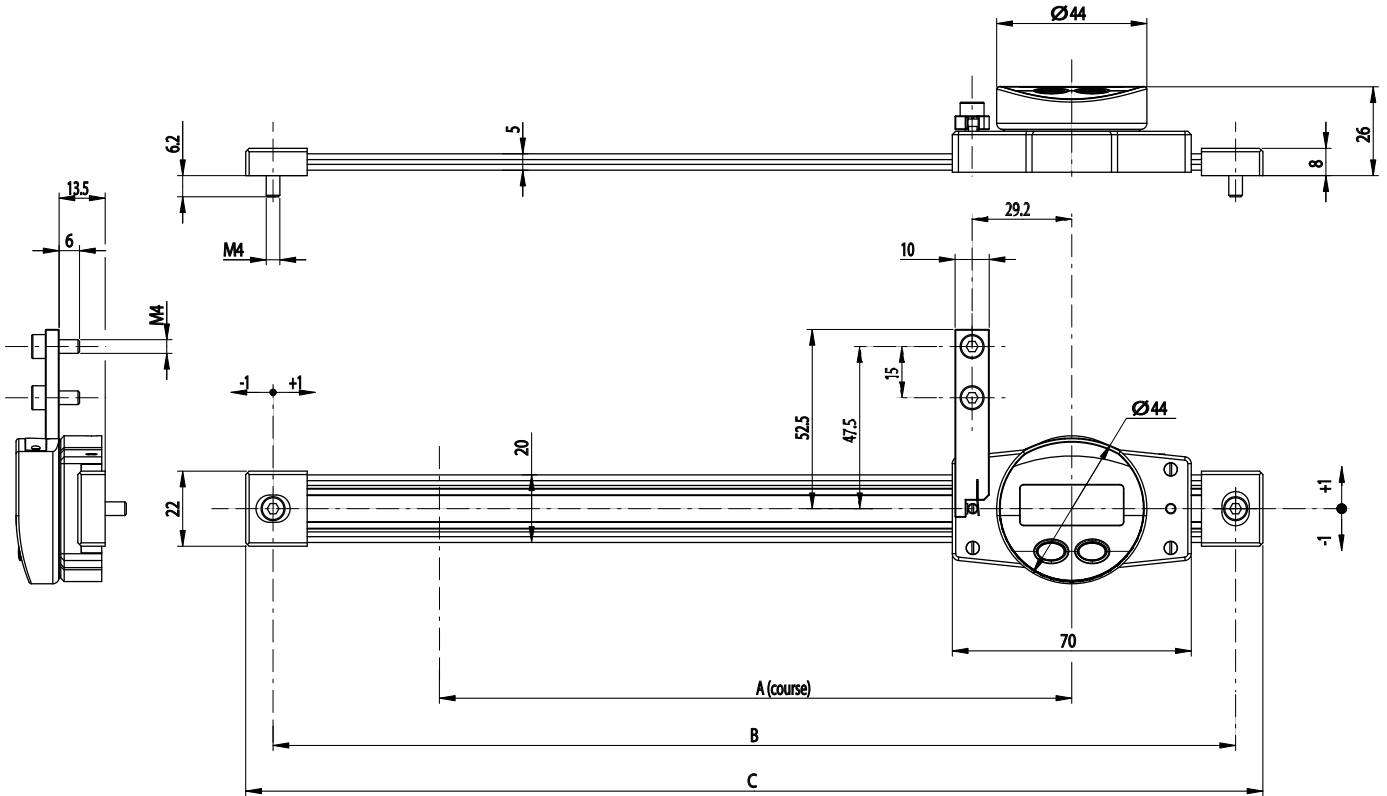
**SIS** Smart Inductive System

 WATER RESISTANT

**IP65**

E

## DIMENSIONAL DRAWINGS



## TECHNICAL SPECIFICATIONS

		816.1015	816.1020	816.1030	816.1060
Measuring range	mm	150	200	300	600
Type		H / V	H / V	H / V	H / V
Max. Error	µm	20	20	30	30
Repeatability <sup>1)</sup>	µm	10	10	10	10
Resolution mm		0.01	0.01	0.01	0.01
A	mm	185	235	335	665
B	mm	282	332	432	762
C	mm	298	348	448	778
Output data		USB / RS232 <sup>2)</sup>			
Selection of measuring direction		●			
PRESET function		●			
2 references		●			

<sup>1)</sup> ± 1 digit

<sup>2)</sup> see cables chapter

# INTERNAL MEASURING INSTRUMENTS

---

SYLVAC offers a wide range of internal measuring instruments consisting of mechanical measuring heads interchangeable at 2 or 3 points which guarantee rapid and precise measurements of 2 to 500mm depending on the type of instrument.

We also regularly propose special or customised solutions, such as threading, grooves, splines or deep bores.

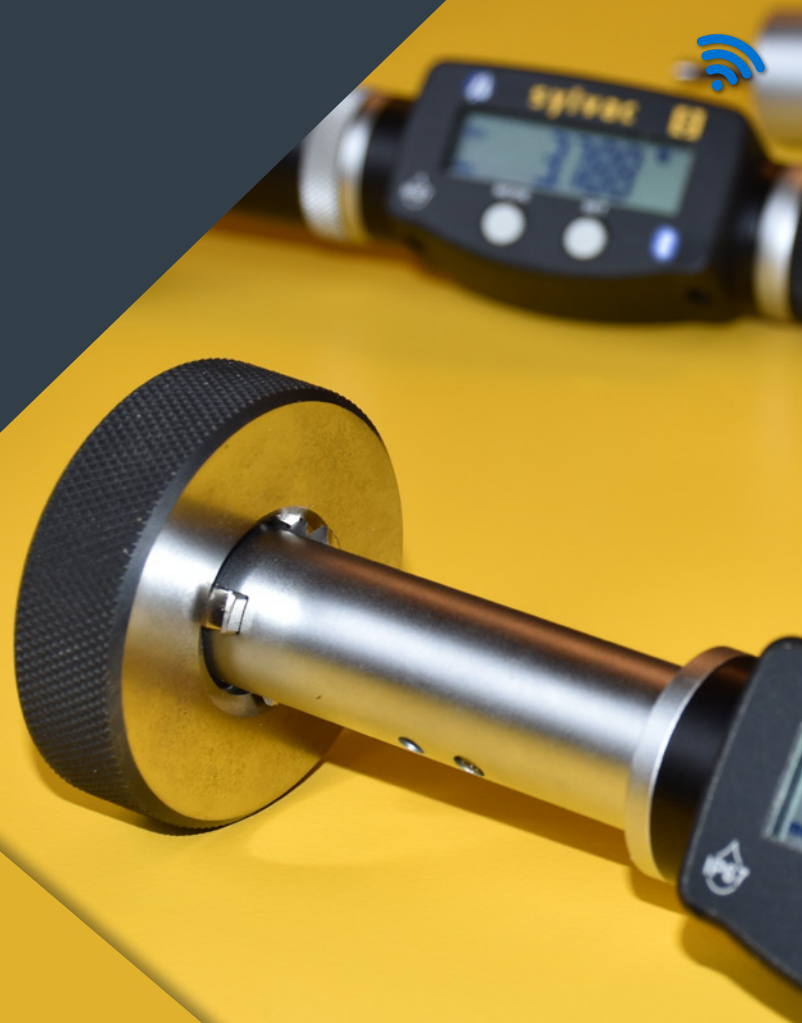
**Sylvac inductive measuring system (patented)**

**Bluetooth® Wireless technology for the entire range**

**Power supply: Lithium battery 3V, Type CR 2032**

**Operational temperature: +5 to +40°C**

**Repeatability:  $\leq 2 \mu\text{m}$**



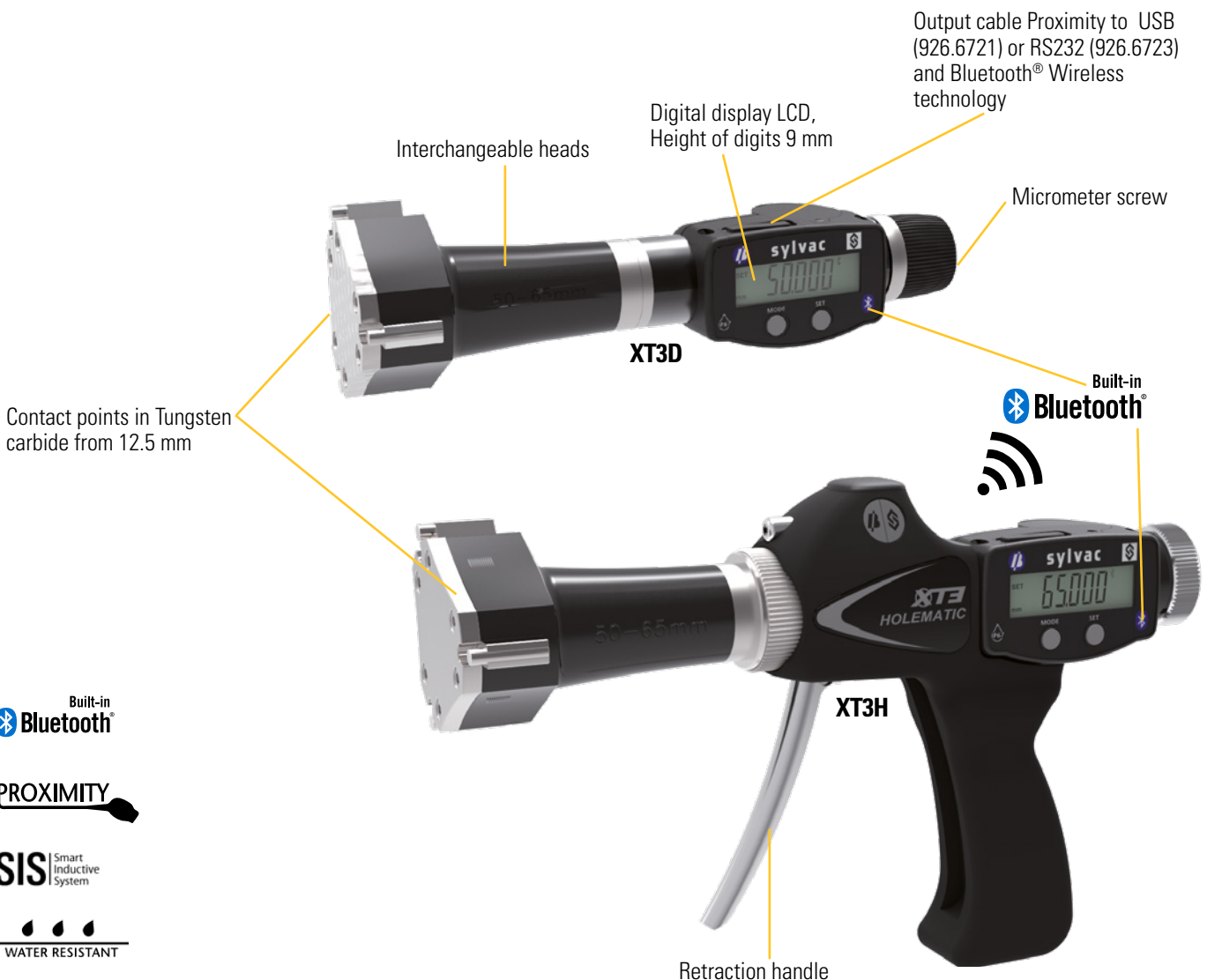
# Bore gauges

# Xtreme 3

## DESCRIPTION

SMART

- Instruments covering a large measuring range (2 - 300 mm)
- Blind bore measurement from 2 to 6 mm and from 12.5 mm
- Interchangeable measuring heads
- UKAS certificate included with all rings
- UKAS certificate included with each instrument
- Manufactured according to DIN863
- Memorization of 4 ring gauges values
- Water and coolant resistant, protection rating IP67 according to IEC 60529
- Programmable by PC
- S\_Connect Proximity



Built-in Bluetooth®

PROXIMITY

SIS Smart Inductive System

WATER RESISTANT

IP67


\* Up to 8 instruments connected per dongle #981.7100  
More informations on How to use Bluetooth® leaflet SYL\_1401\_EN\_BT


# Bore gauges


# Xtreme 3

## TECHNICAL SPECIFICATIONS INDIVIDUAL INSTRUMENTS XT3D

SMART

XT3D 	950.6006	950.6007	950.6008	950.6009	950.6010	950.6011	950.6012	950.6013
Meas. range mm	2-2.5	2.5-3	3-4	4-5	5-6	6-8	8-10	10-12.5
Type	XT3D BT 1M	XT3D BT 2M	XT3D BT 3M	XT3D BT 4M	XT3D BT 5M	XT3D BT 6M	XT3D BT 8M	XT3D BT 10M
Depth mm	9	9	12	18	18	58	58	58
Max. Error $\mu\text{m}$	4	4	4	4	4	4	4	4
$\emptyset$ Incl. ring mm	2.5	2.5	4.0	4.0	5.0	8.0	8.0	12.5

XT3D 	950.6014	950.6015	950.6016	950.6017	950.6018	950.6019	950.6020	950.6021
Meas. range mm	12.5-16	16-20	20-25	25-35	35-50	50-65	65-80	80-100
Type	XT3D BT 12M	XT3D BT 16M	XT3D BT 20M	XT3D BT 25M	XT3D BT 35M	XT3D BT 50M	XT3D BT 65M	XT3D BT 80M
Depth mm	62	62	66	66	80	80	80	100
Max. Error $\mu\text{m}$	4	4	4	4	4	5	5	5
$\emptyset$ Incl. ring mm	12.5	20.0	20.0	35.0	35.0	65.0	65.0	80.0

XT3D 	950.6022	950.6023	950.6024	950.6025	950.6026	950.6027	950.6028	950.6029
Meas. range mm	100-125	125-150	150-175	175-200	200-225	225-250	250-275	275-300
Type	XT3D BT 100M	XT3D BT 125M	XT3D BT 150M	XT3D BT 175M	XT3D BT 200M	XT3D BT 225M	XT3D BT 250M	XT3D BT 275M
Depth mm	115	115	115	115	118	118	118	118
Max. Error $\mu\text{m}$	6	6	7	7	8	8	9	9
$\emptyset$ Incl. ring mm	125.0	125.0	175.0	175.0	225.0	225.0	275.0	275.0





# Bore gauges


# Xtreme 3

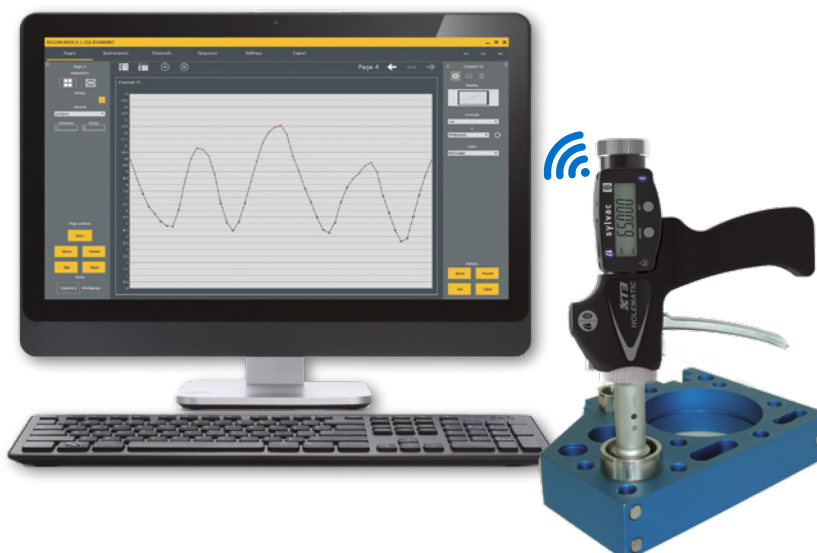
## TECHNICAL SPECIFICATIONS INDIVIDUAL INSTRUMENTS XT3H

SMART

XT3H 	954.6006	954.6007	954.6008	954.6009	954.6010	954.6011	954.6012	954.6013
Meas. range mm	2-2.5	2.5-3	3-4	4-5	5-6	6-8	8-10	10-12.5
Type	XT3H BT 1M	XT3H BT 2M	XT3H BT 3M	XT3H BT 4M	XT3H BT 5M	XT3H BT 6M	XT3H BT 8M	XT3H BT 10M
Depth	9	9	12	18	18	58	58	58
Max. Error $\mu\text{m}$	4	4	4	4	4	4	4	4
$\emptyset$ Incl. ring mm	2.5	2.5	4.0	4.0	5.0	8.0	8.0	12.5

XT3H 	954.6014	954.6015	954.6016	954.6017	954.6018	954.6019	954.6020	954.6021
Meas. range mm	12.5-16	16-20	20-25	25-35	35-50	50-65	65-80	80-100
Type	XT3H BT 12M	XT3H BT 16M	XT3H BT 20M	XT3H BT 25M	XT3H BT 35M	XT3H BT 50M	XT3H BT 65M	XT3H BT 80M
Depth	62	62	66	66	80	80	80	85
Max. Error $\mu\text{m}$	4	4	4	4	4	5	5	5
$\emptyset$ Incl. ring mm	12.5	20.0	20.0	35.0	35.0	65.0	65.0	80.0

XT3H 	954.6022	954.6023	954.6024	954.6025	954.6026	954.6027	954.6028	954.6029
Meas. range mm	100-125	125-150	150-175	175-200	200-225	225-250	250-275	275-300
Type	XT3H BT 100M	XT3H BT 125M	XT3H BT 150M	XT3H BT 175M	XT3H BT 200M	XT3H BT 225M	XT3H BT 250M	XT3H BT 275M
Depth	100	100	100	100	100	103	103	103
Max. Error $\mu\text{m}$	6	6	7	7	8	8	9	9
$\emptyset$ Incl. ring mm	125.0	125.0	175.0	175.0	225.0	225.0	275.0	275.0



# Bore gauges

# Xtreme 3


## BASIC INSTRUMENT XT3D AND XT3H INDIVIDUAL


SMART

- Instrument according to technical specifications
- Wooden box (XT3D : from 150 mm = 2 box; XT3H : from 200 mm = 2 box) <sup>1)</sup>
- Rings according to technical specifications + UKAS certificate
- 1 x digital display XT3DU or XT3PG
- Lithium battery CR2032 included
- Instruction manual
- Calibration certificate

<sup>1)</sup> Fumigated compatible ISPM 15 and NIMP 15

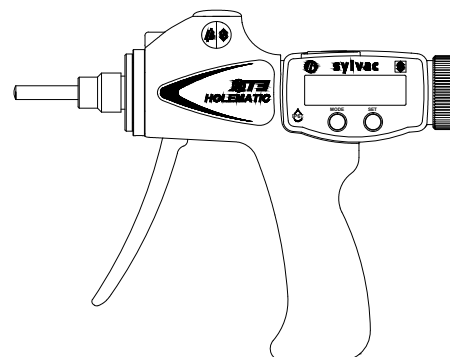
## TECHNICAL SPECIFICATIONS ELECTRONIC UNITS XT3DU AND XT3PG

XT3DU 	951.6001	951.6002	951.6003	951.6004	951.6005	951.6006	951.6007
Meas. range mm	2-6	6-10	10-20	20-50	50-100	100-300	200-300
Type	XT3DU BT 2M	XT3DU BT 6M	XT3DU BT 10M	XT3DU BT 20M	XT3DU BT 50M	XT3DU BT 100M	XT3DU BT 200M
Thread	1/4"x 40 TPI	M5 x 0.5	5/16"x 40 TPI	5/8"x 24 TPI	5/8"x 24 TPI	5/8"x 24 TPI	5/8"x 24 TPI

XT3PG 	955.6001	955.6002	955.6003	955.6004
Meas. range mm	2-6	6-20	20-100	100-300
Type	XT3PG BT 01M	XT3PG BT 02M	XT3PG BT 03M	XT3PG BT 04M
Thread	1/4"x 40 TPI	5/16"x 40 TPI	5/8"x 24 TPI	5/8"x 24 TPI



XT3DU



XT3PG



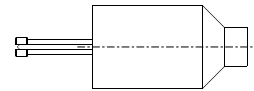
# Bore gauges

# Xtreme 3

## TECHNICAL SPECIFICATIONS MEASURING HEADS XTHD

SMART

	953.2496	953.2497	953.2498	953.2499	953.2500
Meas. range mm	2-2.5	2.5-3	3-4	4-5	5-6
Type	XTHD1	XTHD2	XTHD3	XTHD4	XTHD5
Execution	2 points / ST	2 points / ST	2 points / ST	2 points / ST	2 points / ST



2 points head

	953.2501	953.2502	953.2503	953.2504	953.2505
Meas. range mm	6-8	8-10	10-12.5	12.5-16	16-20
Type	XTHD6	XTHD8	XTHD10	XTHD12.5	XTHD16
Execution	3 points / ST	3 points / ST	3 points / ST	3 points / TC	3 points / TC

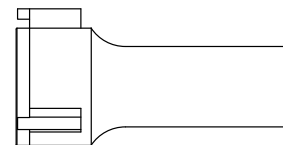
	953.2506	953.2507	953.2508	953.2509	953.2510
Meas. range mm	20-25	25-35	35-50	50-65	65-80
Type	XTHD20	XTHD25	XTHD35	XTHD50	XTHD65
Execution	3 points / TC	3 points / TC	3 points / TC	3 points / TC	3 points / TC

	953.2511	953.2512	953.2513	953.2514	953.2515
Meas. range mm	80-100	100-125	125-150	150-175	175-200
Type	XTHD80	XTHD100	XTHD125	XTHD150	XTHD175
Execution	3 points / TC	3 points / TC	3 points / TC	3 points / TC	3 points / TC

	953.2516	953.2517	953.2518	953.2519
Meas. range mm	200-225	225-250	250-275	275-300
Type	XTHD200	XTHD225	XTHD250	XTHD275
Execution	3 points / TC	3 points / TC	3 points / TC	3 points / TC

ST = steel  
TC = tungsten carbide

All heads are compatible with the XT3D and XT3H systems.



3 points head

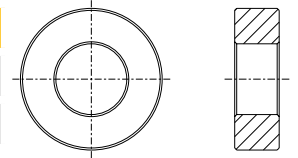
# Bore gauges

# Xtreme 3

## TECHNICAL SPECIFICATIONS SETTING RINGS XTR

SMART

		953.2598	953.2599	953.2600	953.2601	953.2602	953.2603
Size	mm	2.5	4	5	8	12.5	20
Type		XTR2.5	XTR4	XTR5	XTR8	XTR12.5	XTR20



		953.2604	953.2605	953.2606	953.2607	953.2608	953.2609	953.2610
Size	mm	35	65	80	125	175	225	275
Type		XTR35	XTR65	XTR80	XTR125	XTR175	XTR225	XTR275

## TECHNICAL SPECIFICATIONS EXTENSIONS SX

		953.2001	953.2002	953.2003	953.2004	953.2005
Meas. range	mm	6-10	10-12.5	12.5-20	20-50	50-300
Type		SX200	SX400	SX500	SX1	SX4
Length	mm	63	76	100	150	150



Other accessories

		953.2010	953.2011
Description		Stand	Depth stop
Meas. range	mm	2-50	2-6

## APPLICATIONS



Pistol measuring system



Measuring with ratchet XTD system



Measuring with pistol XTH system

# Bore gauges

# Xtreme SETS

## DESCRIPTION

SMART

- **Instruments sets** covering a large measuring range (2 - 200 mm)
- **Integrated *Bluetooth*<sup>®</sup> technology and Proximity**
- Blind bore measurement from 2 to 6 mm and from 12.5 mm
- Interchangeable measuring heads
- UKAS certificate included with all rings
- UKAS certificate included with each instrument
- Manufactured according to DIN863
- Memorization of 4 ring gauges values
- Water and coolant resistant, protection rating IP67 according to IEC 60529
- Programmable by PC



951.6105

Output cable Proximity to USB (926.6721) or RS232 (926.6723) and Bluetooth<sup>®</sup> Wireless technology

Electronic unit



955.6105

Ring

Head




\* Up to 8 instruments connected per dongle #981.7100  
More informations on How to use Bluetooth<sup>®</sup> leaflet SYL\_1401\_EN\_BT


# Bore gauges


# Xtreme SETS


## TECHNICAL SPECIFICATIONS INSTRUMENTS SETS

SMART

<b>Sets XT3D</b> 	<b>951.6102</b>	<b>951.6103</b>	<b>951.6104</b>	<b>951.6105</b>
Meas. range mm	2-6	6-10	10-20	20-50
Type	SXT3D 1M BT	SXT3D 3M BT	SXT3D 4M BT	SXT3D 5M BT
Number of heads	5	2	3	3
Numb. of rings	3	1	2	2
Meas. Force	8N	7N	15N	21N

<b>Sets XT3D</b> 	<b>951.6106</b>	<b>951.6107</b>	<b>951.6108</b>	<b>951.6109</b>
Meas. range mm	50-100	100-150	150-200	100-200
Type	SXT3D 6M BT	SXT3D 7M BT	SXT3D 8M BT	SXT3D 9M BT
Number of heads	3	2	2	4
Numb. of rings	2	1	1	2
Meas. Force	28N	32N	32N	32N

<b>Sets XT3H</b> 	<b>955.6102</b>	<b>955.6103</b>	<b>955.6104</b>	<b>955.6105</b>	<b>955.6106</b>
Meas. range mm	2-6	6-10	10-20	20-50	50-100
Type	SXT3H 1M BT	SXT3H 3M BT	SXT3H 4M BT	SXT3H 5M BT	SXT3H 6M BT
Number of heads	5	2	3	3	3
Numb. of rings	3	1	2	2	2
Meas. Force	4N	9N	9N	19N	19N

<b>Sets XT3H</b> 	<b>955.6107</b>	<b>955.6108</b>	<b>955.6114</b>	<b>955.6115</b>	<b>955.6116</b>
Meas. range mm	100-150	150-200	6-20	20-100	100-200
Type	SXT3H 7M BT	SXT3H 8M BT	SXTH10 BM BT	SXTH11 BM BT	SXT3H 9M BT
Number of heads	2	2	5	6	4
Numb. of rings	1	1	3	4	2
Meas. Force	22N	22N	9N	19N	22N

F

# High accuracy internal measurement

# Ultima

## DESCRIPTION

- Measuring range from 2 to 310 mm
- Resolution up to 0.0001 mm
- Mechanical repeatability : 1µm from 2 to 60 mm, 1.5µm from 60 to 210 mm and 2µm from 210 to 310 mm
- Robust construction designed for use by inspection and machine shop
- UKAS certificate supplied with each head
- UKAS certificate supplied with each setting ring.
- Rings manufactured according to DIN 2250 part 2 (standard)
- Blind bore measuring from 12 to 310 mm
- Compatible with all Sylvac digital display
- Special heads on request ( threads, grooves, splines, slot width, etc...)



F

# High accuracy internal measurement

# Ultima

## TECHNICAL SPECIFICATIONS OF MEASURING HEADS

		960.1006	960.1007	960.1008	960.1009	960.1010	960.1011	960.1012	960.1013
Meas. range	mm	2.0-2.5	2.5-3	3-4	4-5	5-6	6-8	8-10	10-12
Ring Ø	mm	2.5	2.5	4	5	5	8	8	12
Depth	mm	9	9	12	18	18	60	60	61
Max. Error	µm	1	1	1	1	1	1	1	1

		960.1014	960.1015	960.1016	960.1017	960.1018	960.1019	960.1020	960.1021
Meas. range	mm	12-14	14-17	17-20	20-24	24-28	28-32	32-38	38-44
Ring Ø	mm	12	17	17	24	24	32	32	44
Depth	mm	61	61	61	69	69	69	72	72
Max. Error	µm	1	1	1	1	1	1	1	1

		960.1022	960.1023	960.1024	960.1025	960.1026	960.1027	960.1028	960.1029
Meas. range	mm	44-50	50-60	60-70	70-80	80-90	90-100	100-110	110-120
Ring Ø	mm	44	60	60	80	80	100	100	120
Depth	mm	72	80	80	80	80	80	80	80
Max. Error	µm	1	1	1.5	1.5	1.5	1.5	1.5	1.5

		960.1030	960.1031	960.1032	960.1033	960.1034	960.1035	960.1036	960.1037
Meas. range	mm	120-130	130-140	140-150	150-160	160-170	170-180	180-190	190-200
Ring Ø	mm	120	140	140	160	160	180	180	200
Depth	mm	80	80	80	80	80	80	80	80
Max. Error	µm	1.5	1.5	1.5	1.5	1.5	1.5	1.5	1.5

		960.1038	960.1039	960.1040	960.1041	960.1042	960.1043	960.1044	960.1045
Meas. range	mm	200-210	210-220	220-230	230-240	240-250	250-260	260-270	270-280
Ring Ø	mm	200	220	220	240	240	260	260	280
Depth	mm	80	80	2.5	80	80	80	80	80
Max. Error	µm	1.5	2	2	2	2	2	2	2

		960.1046	960.1047	960.1048
Meas. range	mm	280-290	290-300	300-310
Ring Ø	mm	280	300	300
Depth	mm	80	80	80
Max. Error	µm	2	2	2

F

# High accuracy internal measurement

# Ultima

## TECHNICAL SPECIFICATIONS SETS

	961.1102	961.1103	961.1104		961.1107	961.1108	961.1109	961.1110
Meas. range mm	2-6	6-10	10-20		6-20	20-50	50-100	20-100
Number of rings	3	1	2		3	3	3	6

## BASIC INSTRUMENT

### Individual

- Instrument according to technical specifications (handle with integrated probe + head)
- Setting rings according to technical specifications
- Wooden box <sup>1)</sup>
- Certificate

### Sets

- Instrument according to technical specifications (handle with integrated probe + head)
- Setting rings according to technical specifications
- Digital display D50S (804.1050)
- Wooden box <sup>1)</sup>
- Instruction manual + certificate

<sup>1)</sup> Fumigated compatible ISPM 15 and NIMP 15

## TECHNICAL SPECIFICATIONS HANDLES

	961.3001	961.3002	961.3003	961.3004
Meas. range mm	2-6	6-20	20-100	100-310

Capacitive probe included

## TECHNICAL SPECIFICATIONS EXTENSIONS

	961.2001	961.2002	961.2003	961.2004	961.2005	961.2006	961.2007
Meas. range mm	6-10	10-12	12-20	20-50	50-310	20-50	50-310
Length mm	63	75	100	50	50	150	150

# High accuracy internal measurement

# Ultima

## APPLICATIONS



Data output through RS232



Two Ultima gauges connected with one unit  
Sylvac D50S only



Adjustable depth stop (on request)



Set including 6 measuring heads, 3 master rings, 1 D50S, the handle and his probe, charging unit



# Bore gauges

# Special applications

## DESCRIPTION

In spite of the fact that our range of interior measuring instruments is more complete, all the applications cannot be covered by the standard series. The illustrations below express the possibilities of special applications which we can carry out.

For instance, below some pictures of special applications :

**Grooves and slots head**



**Spherical anvils head**



**Threads measuring head**



**Ball screw head**



Built-in  
**Bluetooth**

**PROXIMITY**

**SIS** Smart Inductive System

**WATER RESISTANT**

**IP67**

F

# HEIGHT GAUGES

## Hi\_Cal, Hi\_Gage ONE & Z5

---

Specially developed and optimized for use in production lines, HI\_CAL offers a great efficiency thanks to its large screen which can simultaneously display diameters and centerlines.

Its principal advantages consist in its ease of use, reduced dimensions of its base, its great lightness, the compatibility of the accessories with the instruments of the previous generation and the two travel speeds which offer a great comfort during the measurement of small diameters.

**Inductive Sylvac system (patented)**

**Automatic motorized probe (patented)**

**Data output RS232 – USB**

**mm/inch conversion**



# Height gauge

# Hi\_Gage ONE

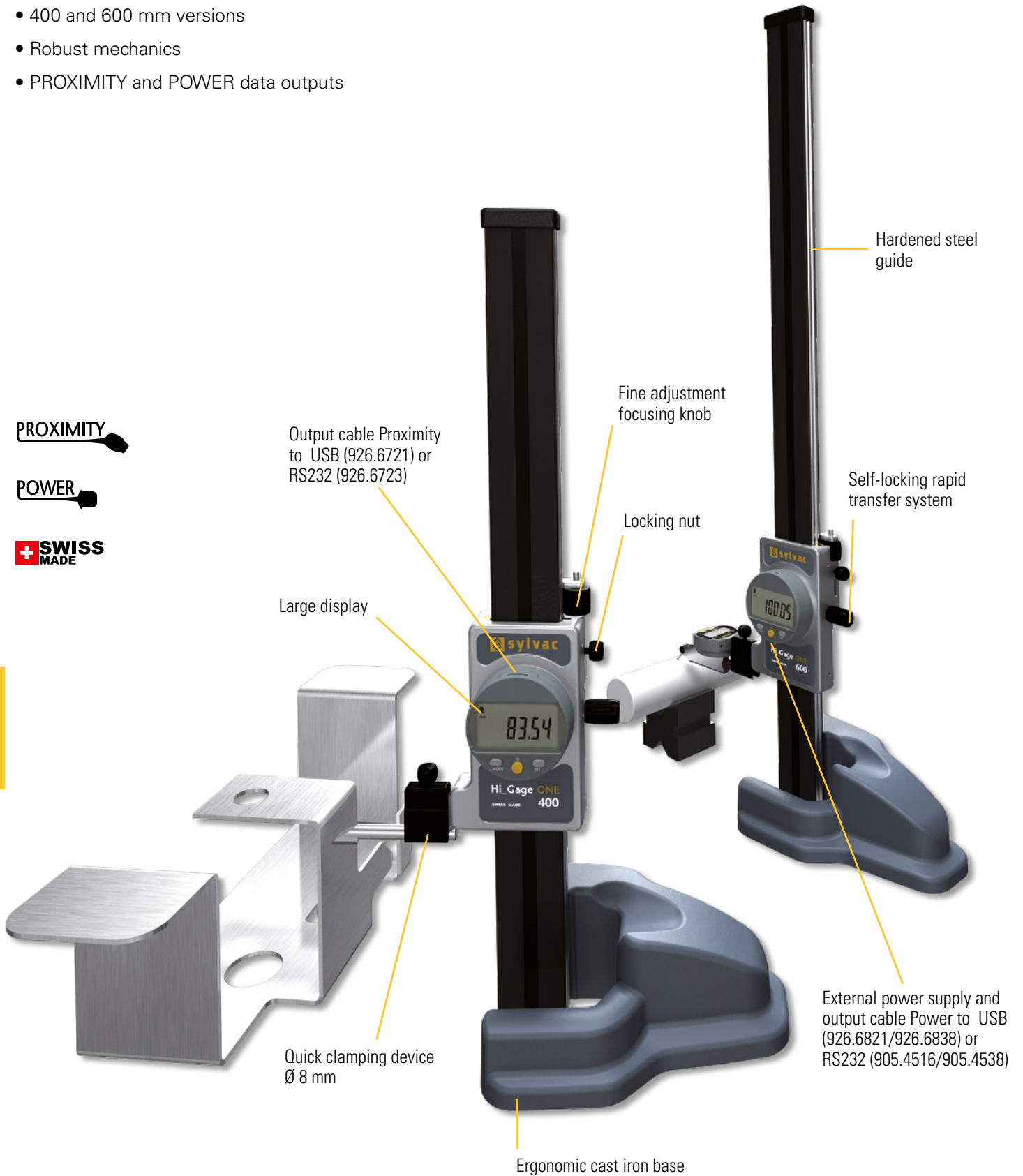
## DESCRIPTION

- Intuitive functions
- 400 and 600 mm versions
- Robust mechanics
- PROXIMITY and POWER data outputs

PROXIMITY

POWER

SWISS  
MADE



Hardened steel guide

Fine adjustment focusing knob

Self-locking rapid transfer system

Output cable Proximity to USB (926.6721) or RS232 (926.6723)

Locking nut

Large display

External power supply and output cable Power to USB (926.6821/926.6838) or RS232 (905.4516/905.4538)

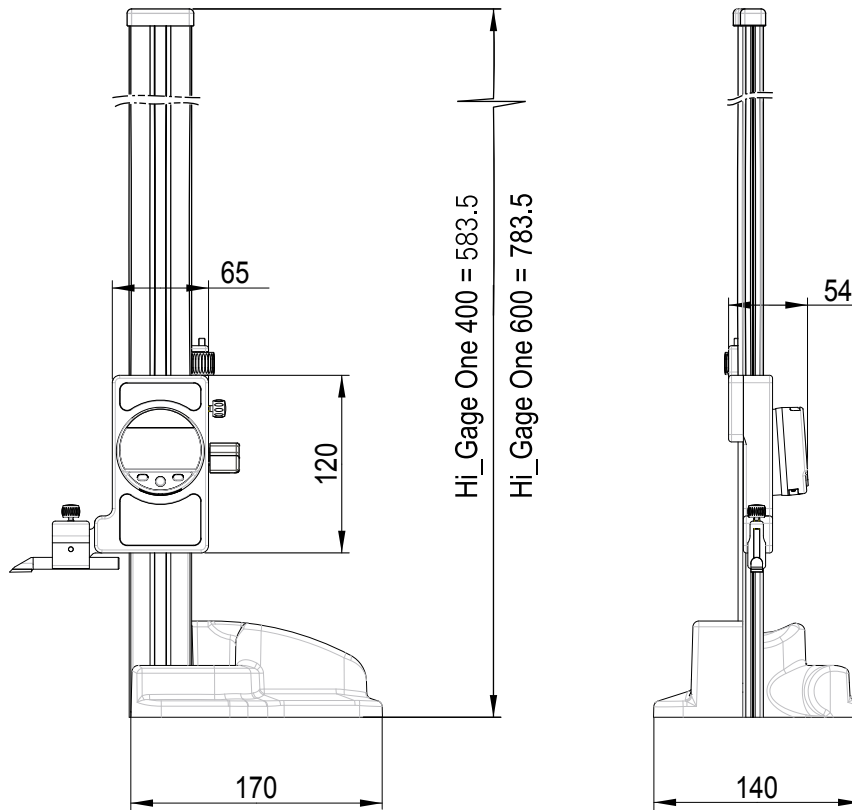
Quick clamping device Ø 8 mm

Ergonomic cast iron base

# Height gauge

# Hi\_Gage ONE

## DIMENSIONAL DRAWINGS



## TECHNICAL SPECIFICATIONS

	840.0400	840.0600
Measurement range mm	400	600
Resolution mm	0.01	0.01
Max. error $\mu\text{m}$	40	50
Repeatability $\mu\text{m}$	10 <sup>1)</sup>	10 <sup>1)</sup>
2 references	•	•
PRESET	9999.99	
Selection of measuring direction	•	
Smart Inductive Sensor (S.I.S)	•	
Output data	USB / RS232	

<sup>1)</sup>  $\pm 1$  digit

## ACCESSORIES

	Description
840.9001	Ball probe $\varnothing 8$ mm
840.9002 <sup>1)</sup>	Tracing probe
905.2247	Clamping stem

<sup>1)</sup> supplied in standard



840.9001



840.9002



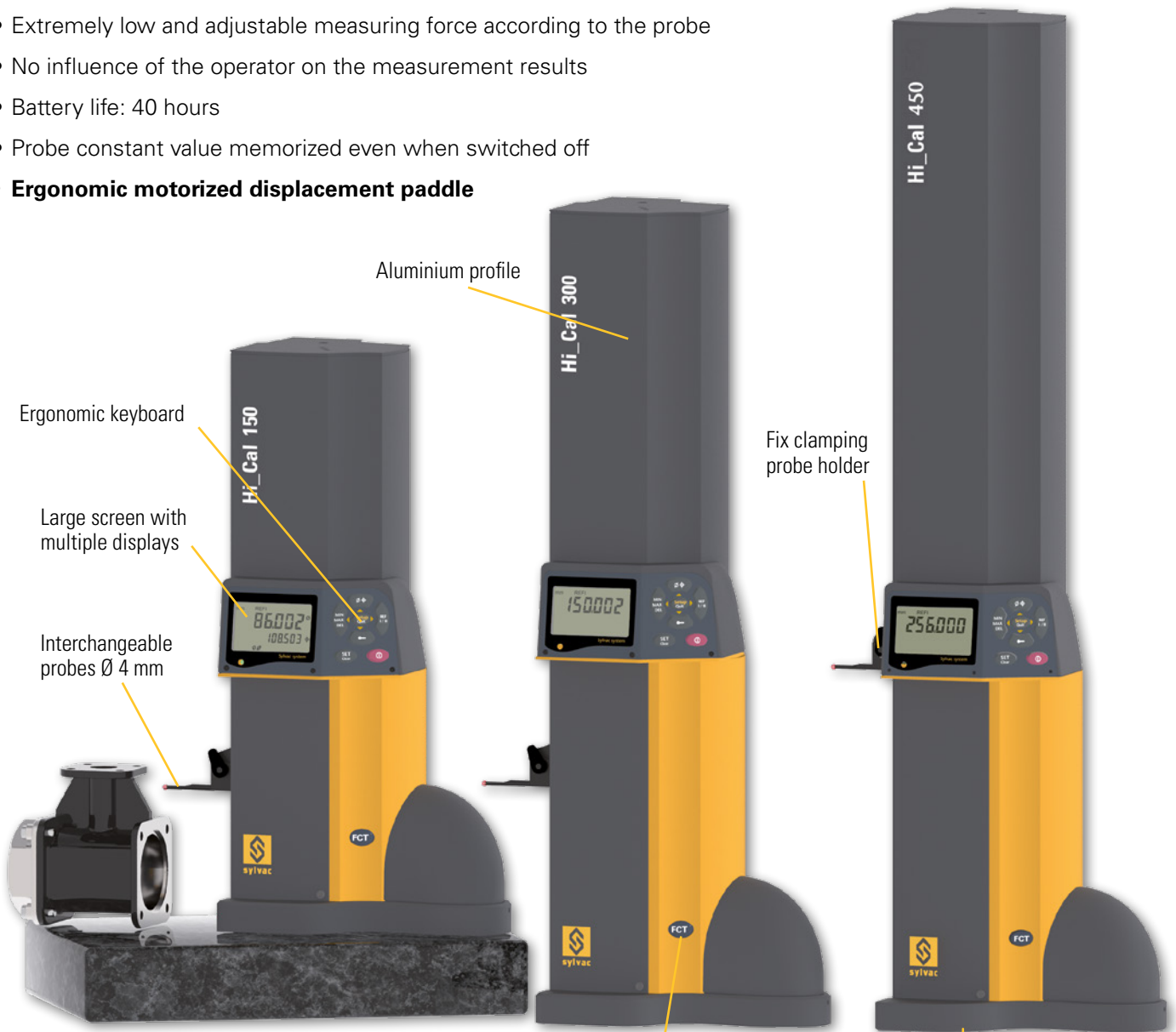
905.2247

# Height gauge

# Hi\_Cal

## DESCRIPTION

- Intuitive functions
- Great mobility
- Measurement of internal and external diameters, centerlines, heights, thicknesses, depths, surfaces
- 150, 300 and 450 mm range
- Data output USB and RS232
- Extremely low and adjustable measuring force according to the probe
- No influence of the operator on the measurement results
- Battery life: 40 hours
- Probe constant value memorized even when switched off
- **Ergonomic motorized displacement paddle**



G

mini-USB

RS232

SWISS MADE



Output cable RS232 to USB (925.1142) or RS232 (925.5609) or output cable mini-USB to USB (926.6001)

Programmable multi-functional key

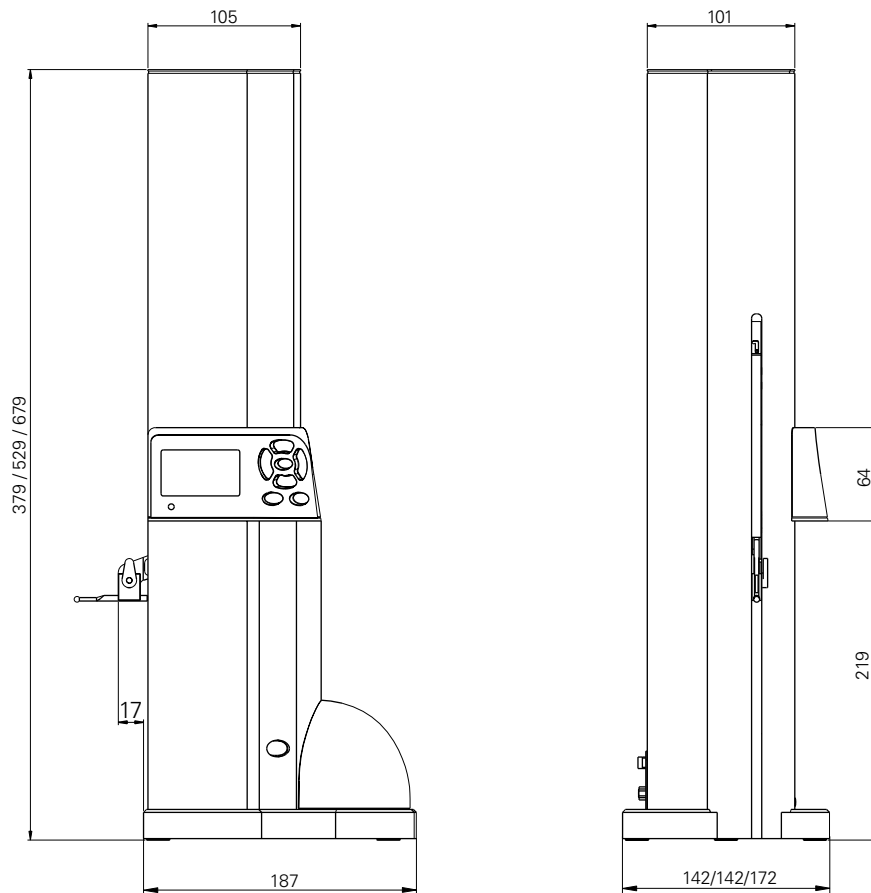
Reduced base area for effective use close to the machine

## Switch on and measure!

# Height gauge

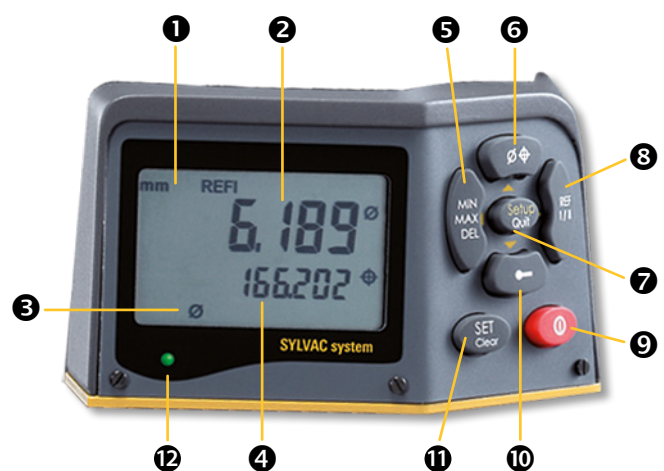
# Hi\_Cal

## DIMENSIONAL DRAWINGS



## DISPLAYS

- ❶ Measuring unit and actives reference
- ❷ Display of measuring value
- ❸ Active measuring mode
- ❹ Centerline display
- ❺ Dynamic measuring mode
- ❻ Diameter / height measurement
- ❼ Access to setting menu
- ❽ Selection of reference Ref I / Ref II
- ❾ ON / OFF Switch
- ❿ Ball probe constant
- ⓫ Validation / Initialization of min, max mode
- ⓬ Luminous indication of valide measurement



## TECHNICAL SPECIFICATIONS

		830.0150	830.0300	830.0450
Measuring range	mm	150	300	450
Application range	mm	0 - 155	0 - 320	0 - 470
Max. Error	µm	2.5 + L / 175 <sup>1)</sup>		
Repeatability	µm	2		
Resolution	mm	0.01 / 0.001		
Velocity	mm/s	50 / 100		
Measuring force	N	0.2 - 0.3		
Self-contained use	h	>40		
Height	mm	379	529	679
Weight	kg	3.9	4.6	6.8
Weight of the standard probe		7.5g, possibility of using 0-15g or 10-25g <sup>2)</sup> probes		
Output data		USB / RS232 <sup>3)</sup>		
Programmable by PC		●		
Zero setting		●		
Min / max / delta		●		
PRESET function		●		
2 references		●		
Height measurement, Ø and centerlines		●		
2 types of progressive speed		●		

<sup>1)</sup> With standard probe, in laboratory conditions

<sup>2)</sup> With adjustment of the measuring force

<sup>3)</sup> See cables chapter

## BASIC INSTRUMENT

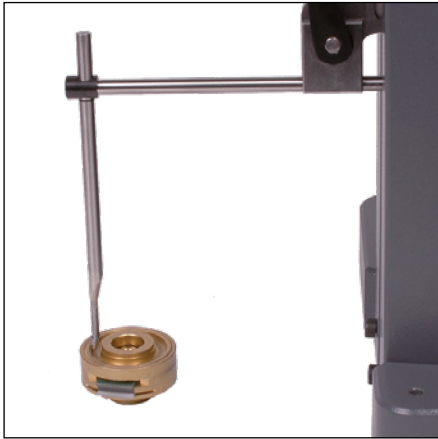
- Loose cover Hi\_Cal 150 (930.6001)
- Loose cover Hi\_Cal 300 (930.6002)
- Loose cover Hi\_Cal 450 (930.6005)
- Charging set (904.4200<sup>1)</sup>/01/03/04/05)
- Ruby ball probe Ø 3 mm
- Setting gauge
- Calibration certificate
- Instruction manual

<sup>1)</sup> according to country

# Height gauge

# Hi\_Cal

## APPLICATIONS



Depth measurement with accessories 930.2108 and 930.2105



Depth measurement with accessories 930.2108 and 905.2204



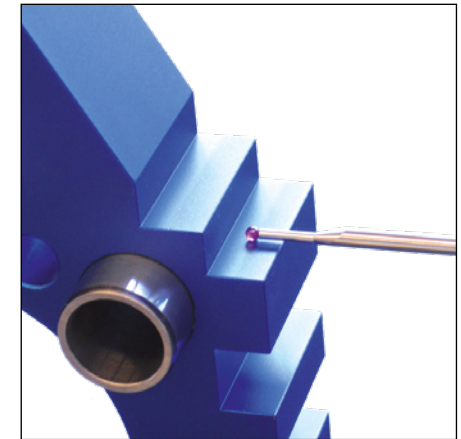
Internal measurement with ruby ball probe Ø 3 mm, 930.2101 (standard)



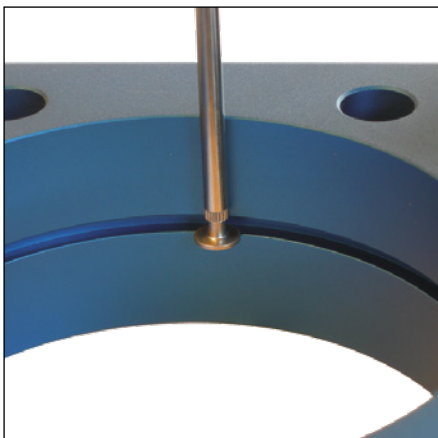
Internal groove measurement with accessories 930.2108, 930.2110 and 905.2207



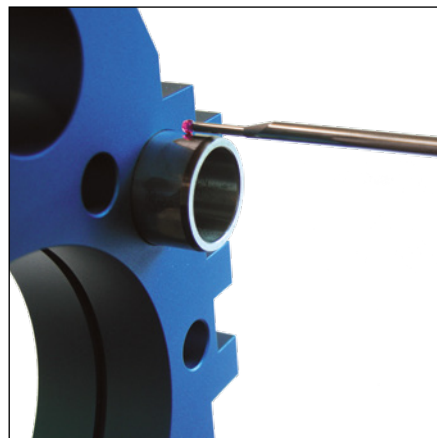
Taking the probe constant value with the setting bloc 930.2002 (standard)



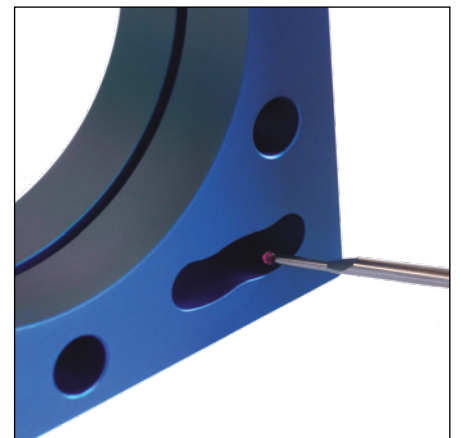
Heights and thicknesses measurements with the standard probe 930.2101



Internal groove measurement with accessories 930.2108, 930.2110 and 905.2205



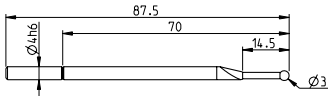
External diameter measurement with the standard probe 930.2101



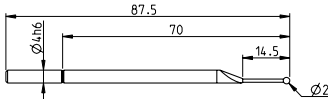
Min/Max/Delta measurements



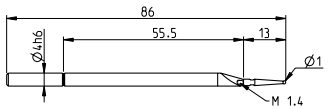
## ACCESSORIES



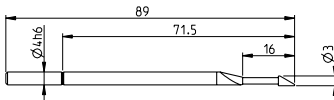
**930.2101** Ruby ball probe Ø 3 mm



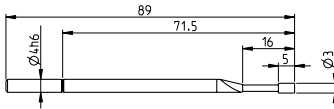
**930.2103** Ruby ball probe Ø 2 mm



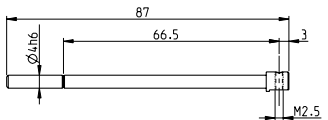
**930.2104** Tungsten carbide ball probe Ø 1 mm



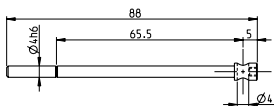
**930.2105** Knife-edged measuring probe TC Ø 3 mm



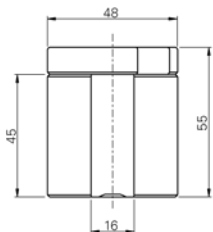
**930.2106** Cylindrical measuring probe TC Ø 3 mm



**930.2107** Probe holder 90° M2.5



**930.2108** Probe holder 90° Ø 4 mm



**930.2002** Setting gauge



**904.4200** Charging set 100-240V / 9V

**904.4205** EUR cable, included in 904.4200 (CH - 904.4201)

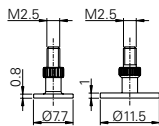
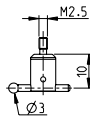
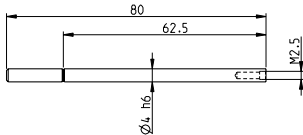
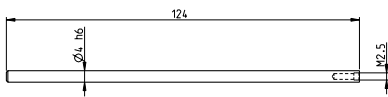
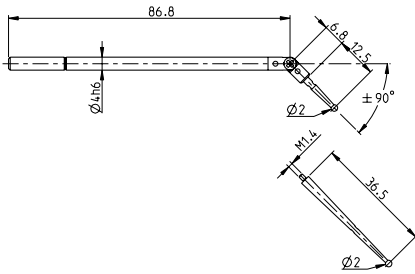
**904.4204** UK cable, included in 904.4200

**904.4203** USA/JPN cable, included in 904.4200

# Height gauge

# Hi\_Cal

## ACCESSORIES



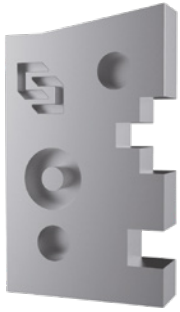
<b>930.2102</b>	Swivelling tungsten carbide ball probe (M1.4)
<b>930.2109</b>	Extension 124 mm M2.5
<b>930.2110</b>	Extension 80 mm M2.5
<b>905.2207</b>	Probe holder and ruby ball probe Ø 3 mm, M2.5
<b>905.2205</b>	Disk shaped anvils Ø 7.7 mm and Ø 11.5 mm, M2.5
<b>930.2150</b>	Full accessory set in wooden box Content : 930.2103, 930.2104, 930.2105, 930.2106, 930.2107, 930.2108, 930.2109, 930.2110, 905.2204, 905.2205, 905.2207
<b>930.2151</b>	Basic accessory set in wooden box Content : 930.2103, 930.2104, 930.2105, 930.2106
<b>904.4101</b>	External contact (foot-pedal)

## ACCESSORIES



**930.2111**

Carbon probe-holder 200mm, Ø4mm



**930.2112**

Demonstration piece



# Height gauge

# Z5

## DESCRIPTION

- Height gauge with measuring range 700mm
- Extremely easy to use
- Electronically adjustable measuring force
- Manual or motor-driven displacement
- Standard probes up to 300 mm
- Vast range of accessories
- All adjustments possible without tools
- Possibility of using a thermal printer (926.1830)
- Battery life: 12 hours
- RS232 and USB interfaces

mini-USB

RS232

SWISS MADE

Easy balance adjustment system

Interchangeable insert holder and probe



Output cable RS232 to RS232 (926.5505) or output cable mini-USB to USB (926.6001)

Additional probe holder

«Black Mask» display with user-friendly functions

Measuring carriage displacement handwheel

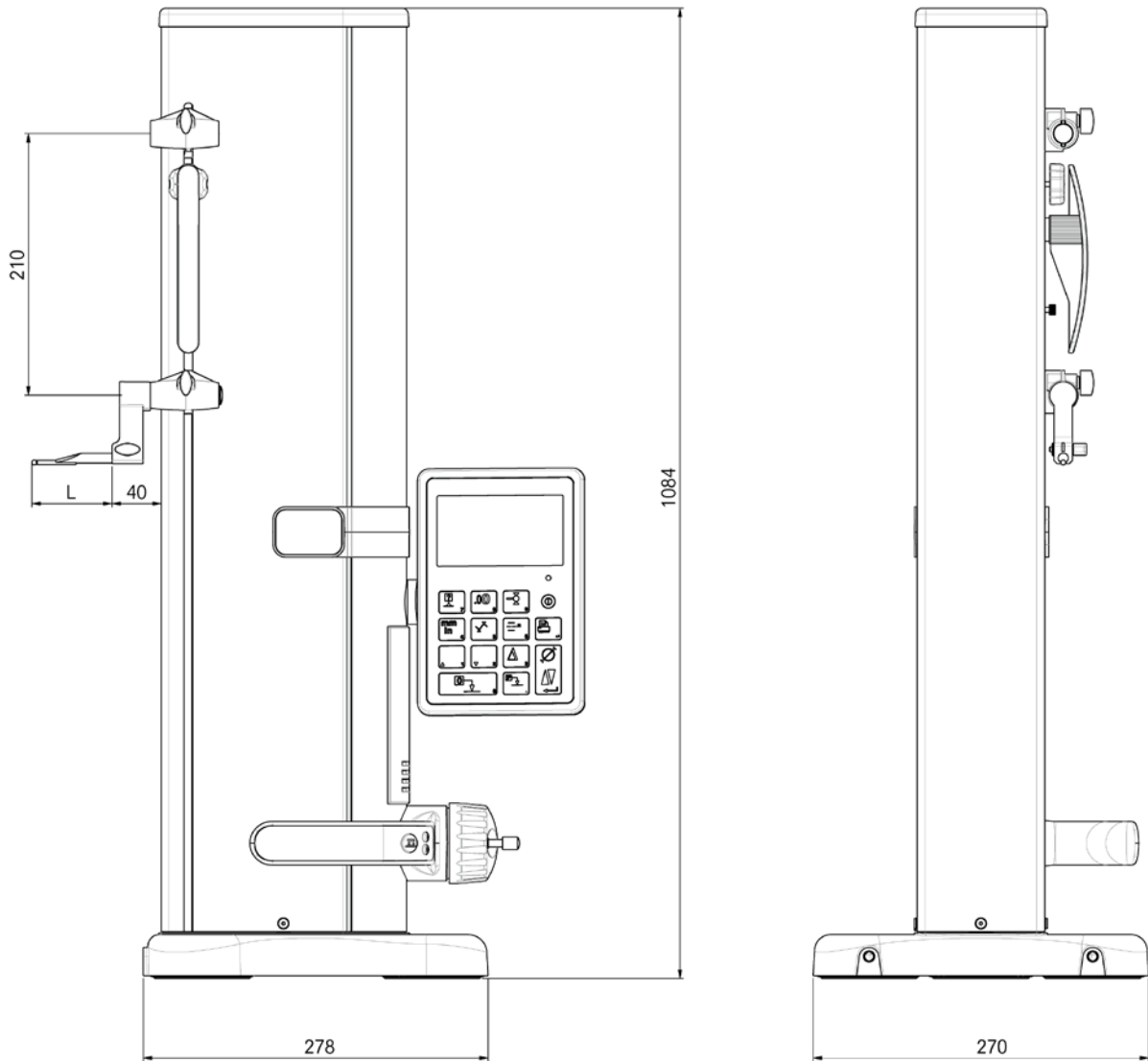
Horizontal displacement handle with buttons for functions and air cushion

Cast iron base

## Let's measure higher !

# Height gauge

## DIMENSIONAL DRAWINGS



G

## BASIC INSTRUMENT

- Instrument according to technical specifications
- Protection cover
- Charging set (904.4200<sup>1)</sup>/01/03/04/05)
- Ruby ball probe Ø 4 mm
- Setting gauge
- Calibration certificate
- Instruction manual

<sup>1)</sup> according to country

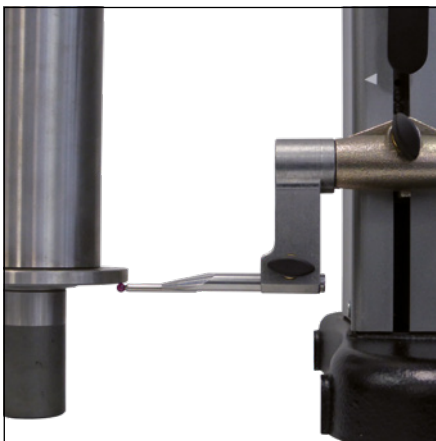
## TECHNICAL SPECIFICATIONS

		936.0700
Measuring range	mm	711
Measuring range with extension	mm	1023
Max. Error	$\mu\text{m}$	$2.5 + L / 300$
Repeatability $R_{\text{MPE}}$	$\mu\text{m}$	2
Frontal squareness deviation $S_{\text{MPE}}$	$\mu\text{m}$	8
Maximum resolution	mm	0.001
Measuring force	N	$0.75 \div 1.5$
Autonomy	h	12
Output data		USB / RS232
Air cushion		•
Weight	kg	24
Programmable by PC		•
Zero setting		•
Min / max / delta		•
PRESET function		•
Simultaneous display of diameters and centerlines		•
Thickness, chain and height measurements		•
Manual and motorised displacement		•

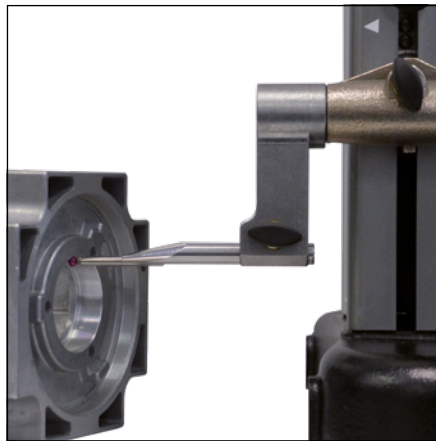
The above values have been determined according to ISO 13225, with the standard measuring insert.

G

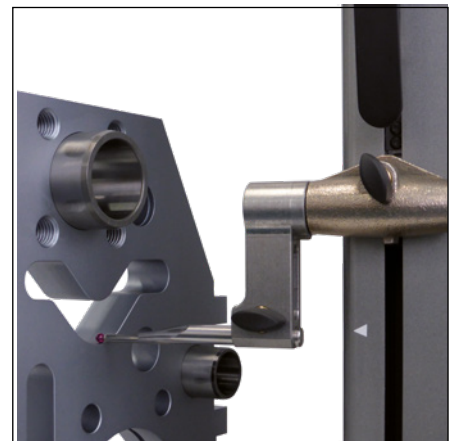
## APPLICATIONS



Thickness, chain and height measurements



Simultaneous display of diameters and centerlines



The motorisation guarantees a perfectly constant measuring force

For the accessories, refer to Trimos website : [www.trimos.com](http://www.trimos.com)

# MEASURING PROBES AND DIGITAL DISPLAYS

Sylvac proposes three types of probe depending on the area of measurement applications.

## Digital absolute probes:

- Ultra-high precision
- Direct USB output or M8

## Capacitive probes:

- Measuring range up to 25mm
- High-precision measurement across the range of the probe
- Very good repeatability
- Reduction of intrinsic error if coupled to the SYLVAC display units

## Inductive probes:

- Small footprint and very good repeatability
- Ideal for multi-dimension applications of 2 to 255 probes

SYLVAC display units connect a wide range of products such as Sylvac linear probes, linear rulers, handtools and digital indicators.

## Absolute capacitive measuring system

## Digital display units RS232 and USB

## Operational temperature 0 to +50°C





# Measuring probes

## LISTING OF ALL MODELS

	INDUCTIVE				CAPACITIVE								
	TYPE	ORDER NUMBER	900.1101	900.1102	900.1111	900.1112	900.1001	900.1002	900.1003	900.1004	900.1007	900.1006	900.1008
<b>RANGE</b>													
±2 mm		●	●										
5 mm						●	●	●	●			●	●
± 5 mm				●	●								
10 mm													
12.7 mm													
25 mm													
<b>EXECUTION</b>													
Plain bearing						●		●				●	●
B- Ball bearing		●	●	●	●		●		●	●			
Pneumatic push			●		●								
V- Vacuum lifter								●		●			●
L- 90 degrees cable		*		*			●			●	●	●	●
S- with rubber boot		●	●	●	●	●	●	●	●	●	●	●	●
<b>MECHANIC</b>													
Diameter 8 mm h6		●	●	●	●	●	●	●	●	●	●	●	●
Diameter 12 mm													
Measuring anvil M2.5		●	●	●	●	●	●	●	●	●	●	●	●
<b>LIFTING</b>													
Integrated			●		●			●		●			●
Separate accessories						●	●		●		●	●	
<b>PROTECTION IP</b>													
Protection rating IP (IEC 60529)		65	65	65	65	64	64	64	64	64	64	64	64

\* by accessories, see next pages

H

## CAPACITIVE

## ABSOLUTE DIGITAL

CAPACITIVE						ABSOLUTE DIGITAL						
900.1010	900.1012	900.1014	900.1016	900.1025	900.1027	801.1012	801.1018	801.2012	801.2017	801.1212	801.1218	801.2212
P10	P10S	P10L	P10LS	P25	P25S	P12D HR USB	P12D HR USB CF	P12D USB	P12D USB LF	P12D HR M8	P12D HR M8 CF	P12D M8
40	50	40	50	40	50	54	54	54	54	54	54	54

# Absolute digital measuring probes

# P12D

## DESCRIPTION

- New very high accuracy P12D probes Series
- Measuring range 12.7mm (1/2in)
- Resolution up to 0.01  $\mu\text{m}$
- Repeatability up to 0.08  $\mu\text{m}$
- Absolute system with integrated correction, no more pairing needed
- Patented dual inductive and capacitive system
- Available in very low force version
- USB connector or M8 industrial connector



H

Measuring anvil  
Interchangeable  
contact point M2.5,  
stainless steel with  
TC ball

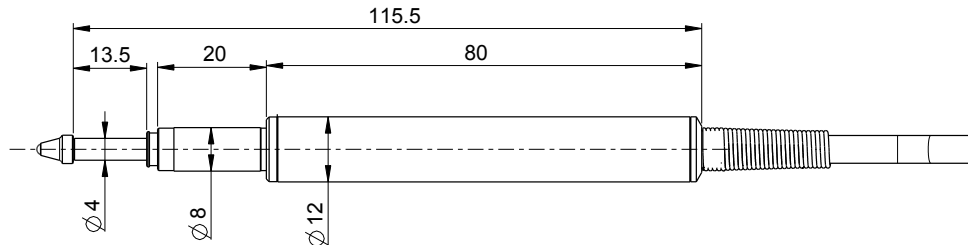
 SWISS  
MADE

 IP54

# Absolute digital measuring probes

# P12D

## DIMENSIONAL DRAWINGS



## TECHNICAL SPECIFICATIONS

High resolution		801.1012	801.1018	801.1212	801.1218
Resolution type		High resolution			
Type		P12D HR USB	P12D HR USB CF <sup>2)</sup>	P12D HR M8	P12D HR M8 CF <sup>2)</sup>
Force <sup>1)</sup>	N	0.2 - 0.3	0.06	0.2 - 0.3	0.06
Measuring range	mm	12.7			
Resolution	µm	0.01			
Max. Error	µm	0.6			
Repeatability	µm	0.08			
Nb measures/s		up to 300/s, according to configuration <sup>4)</sup>		up to 100/s, according to configuration <sup>5)</sup>	
Output data		USB		M8	
Cable output		Straight			

Standard resolution		801.2012	801.2017	801.2212
Resolution type		Standard		
Type		P12D USB	P12D USB LF <sup>3)</sup>	P12D M8
Force <sup>1)</sup>	N	0.4 - 0.8	0.2 - 0.3	0.4 - 0.8
Measuring range	mm	12.7		
Resolution	µm	0.1		
Max. Error	µm	1		
Repeatability	µm	0.2		
Nb measures/s		up to 300/s, according to configuration <sup>4)</sup>		up to 100/s, according to configuration <sup>5)</sup>
Output data		USB		M8
Cable output		Straight		

<sup>1)</sup> ± 20%, vertical position

<sup>2)</sup> CF = constant force : usable only vertically, rod pointing downwards (without spring)

<sup>3)</sup> LF = low force

<sup>4)</sup> depends on resolution and software

<sup>5)</sup> depends on resolution and number of probes

# Absolute digital measuring probes

# P12D

## BASIC INSTRUMENT

- Probe according to technical specifications
- Cable 1.8 m
- Stainless steel contact point with tungsten carbide ball  $\varnothing$  2 mm
- Quickstart
- Calibration certificate

## APPLICATIONS



Probe P12D USB connected to a PC, measures displayed by Sylcom.



Probe P12D USB connected to a D300S (maximum resolution 0.1  $\mu$ m)



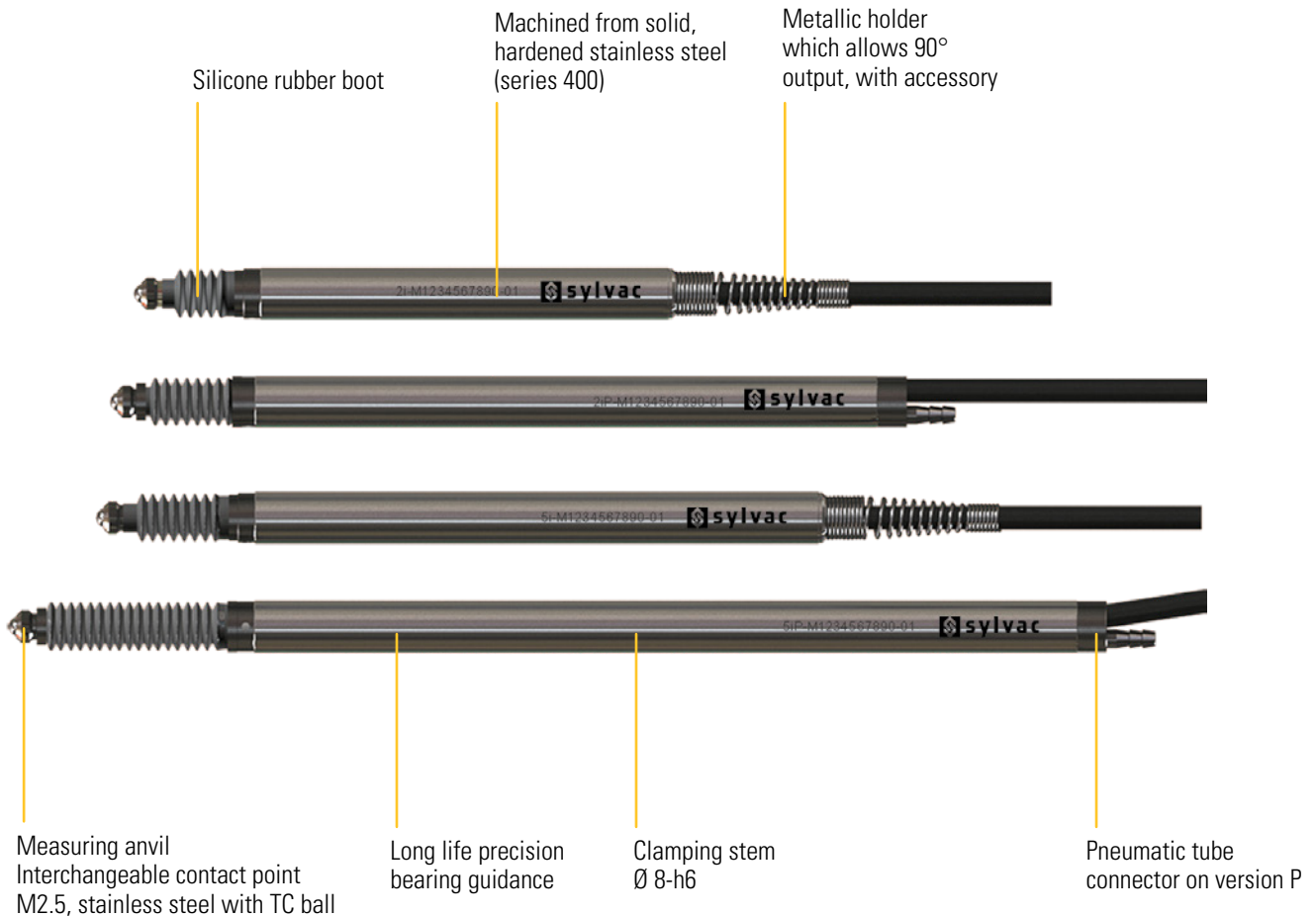
Probes P12D M8 connected to a D62S.



# Inductive measuring probes

## DESCRIPTION

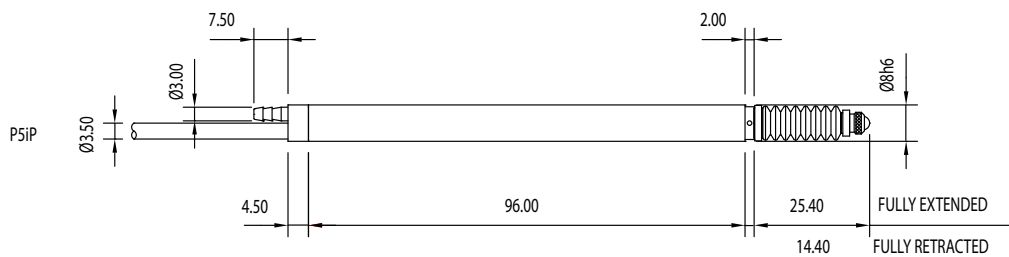
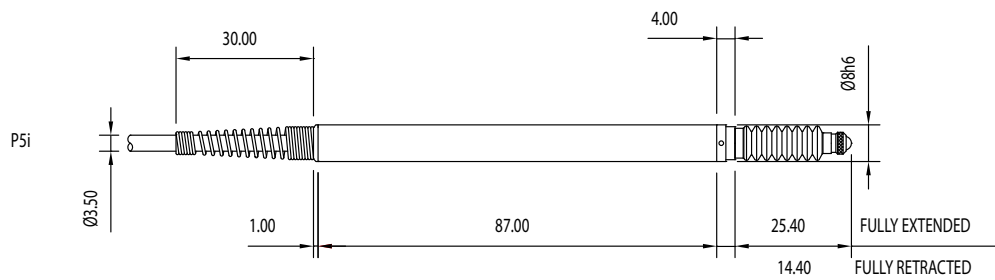
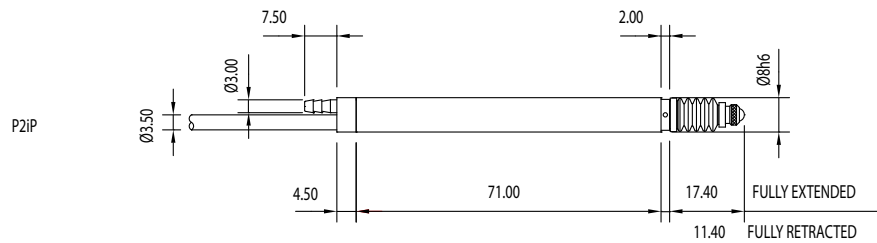
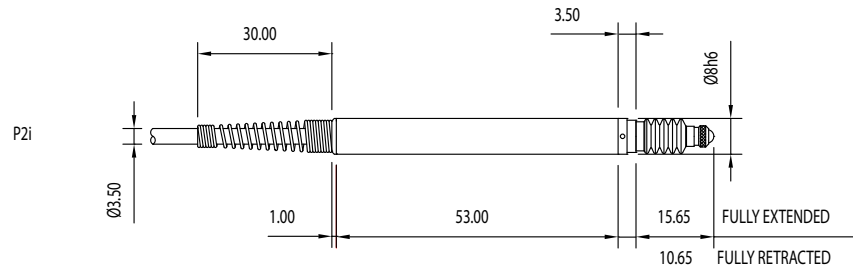
- Inductive measuring probes specially designed for measurement by comparison
- Available in 2 versions: spring push and pneumatic push
- Long life precision bearing guidance (tested up to 13 million cycles)
- Resolution <math><0.0001\text{ mm}</math>
- Repeatability  $0.15\text{ }\mu\text{m}</math>$
- Measuring range  $\pm 2\text{ mm}$  and  $\pm 5\text{ mm}</math>$
- Compatible with D300SV2, D70i and D400S units through M-Bus multiplexer units
- High data speed
- Operating temperature  $+5$  to  $+80^{\circ}\text{C}</math>$
- IP65 protected



**IP65**

# Inductive measuring probes

## DIMENSIONAL DRAWINGS





# Inductive measuring probes

## TECHNICAL SPECIFICATIONS

		P2i	P2iP	P5i	P5iP
Travel	mm	±2	±2	±5	±5
Pre-travel	mm	0.15	0.8	0.15	0.3
Post-travel	mm	1.35	1.2	0.85	0.7
Resolution		Digital : user selectable to <0.1µm			
Repeatability	µm	0.15	0.15	0.15	0.15
Moving mass	g	3.4	3.4	3.7	3.7
Accuracy of reading %		0.5	0.5	0.5	0.5
Body diameter	mm	8h6			
IP rating		IP65			
Temperature	%FS/°C	0.01			

## MEASURING FORCE

		P2i	P2iP	P5i	P5iP
Standard	N	0.7	0.7 / 0.4 bar - 2.6 / 1 bar	0.7	0.7 / 0.4 bar - 2.6 / 1 bar

Tolerance ± 20%, measuring probe in middle course, outgoing spindle.

## PNEUMATIC PROBES

Pneumatic probes are fully retracted when they are not supplied with air. For continual reliable operation and to maximise working life, the air supply should be clean and dry. 60% maximum relative humidity, filtered to better than 2µm particle size. Air pressure : 0.4-0.8 bar, don't go over 0.8 Bar because the rubber boot can be damaged.

## LIST OF REFERENCES

P2i				P5i			
P2i	900.1101	P2iP	900.1102	P5i	900.1111	P5iP	900.1112

P = pneumatic push

# Inductive measuring probes

## BASIC INSTRUMENT

- Probe according to technical specifications
- Cable 2 m
- Stainless steel contact point with tungsten carbide ball  $\varnothing$  3 mm (905.2204)
- Calibration certificate

## APPLICATIONS



Inductives probes connected to a D70I.



Inductives and Solartron probes connected to a M-Bus modul coupled with D400S.

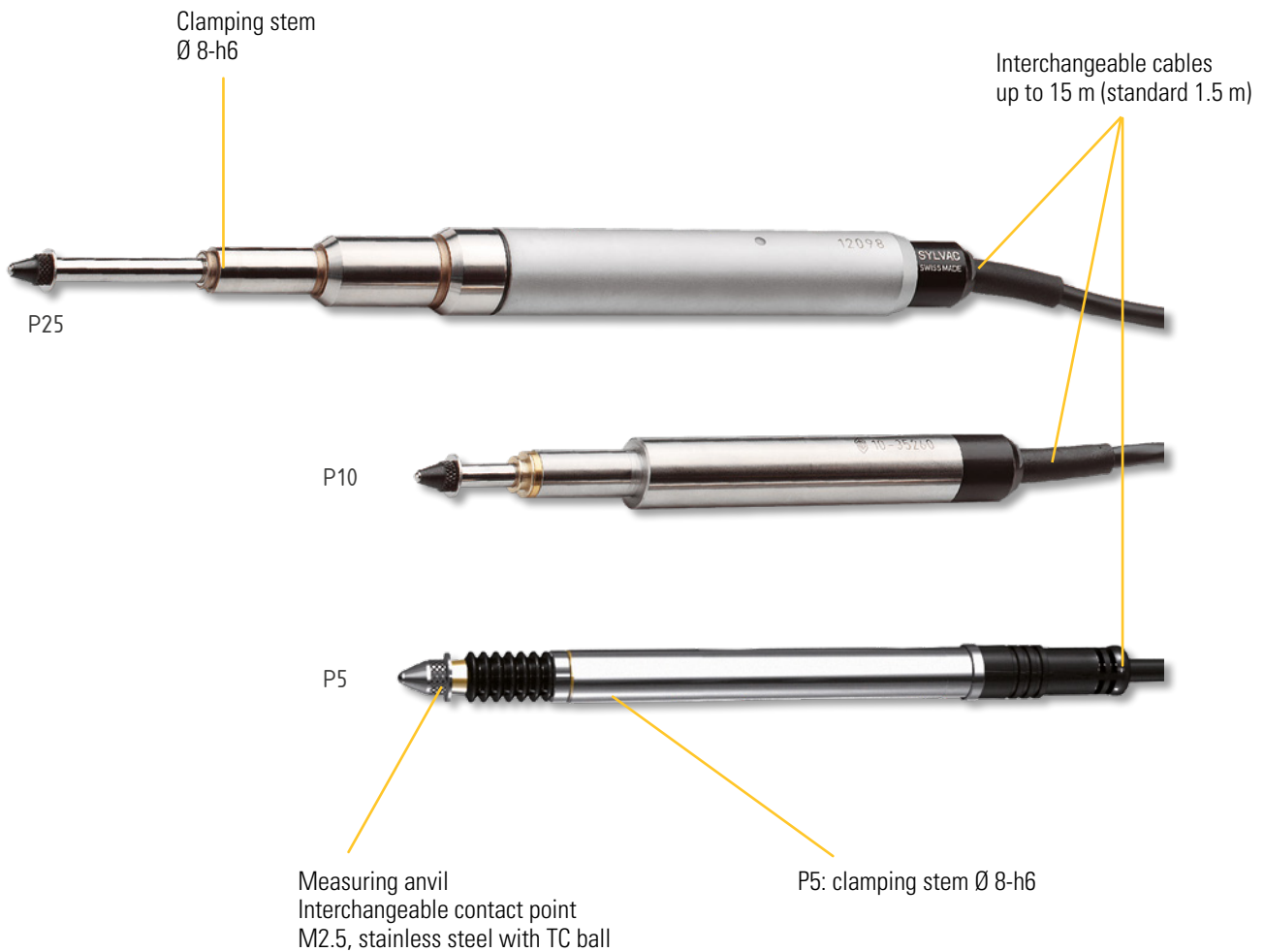


Inductives probes connected to a M-Bus modul coupled with D300S.

# Capacitive measuring probes

## DESCRIPTION

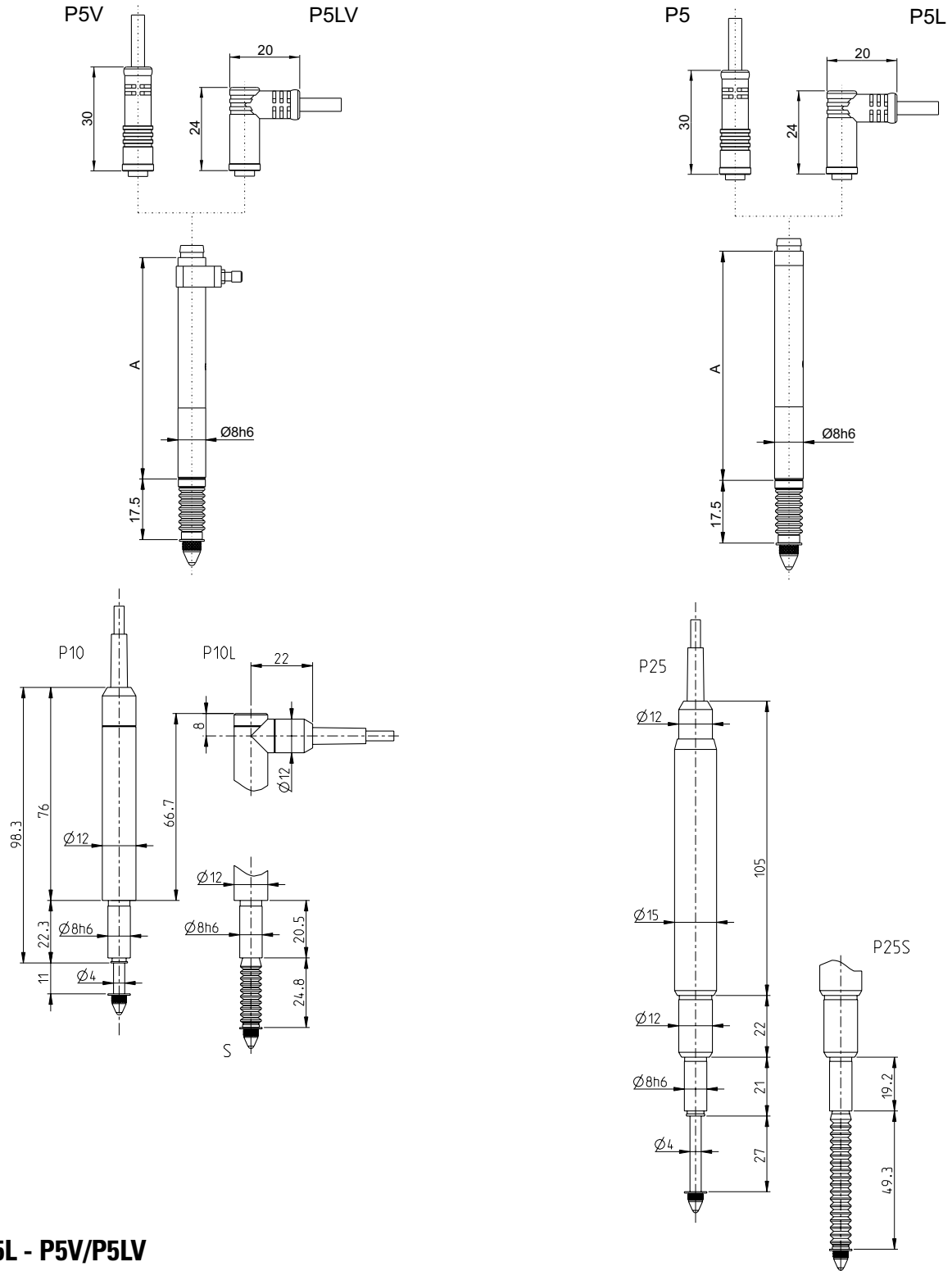
- Capacitive absolute measuring probes, plunger type
- Resolution 0.0001 mm
- Measuring range from 5 to 25 mm
- Plain bearing or ball bearing, integrated vacuum lifter on P5
- Compatible with all Sylvac digital units
- Excellent linearity
- Interchangeable cables on most types



H

# Capacitive measuring probes

## DIMENSIONAL DRAWINGS



### P5/P5L - P5V/P5LV

Guiding axis	Measure A
Plain bearing	72
Ball bearing	64

# Capacitive measuring probes

## TECHNICAL SPECIFICATIONS

		P5	P10	P25
Travel	mm	5	10	25
Pre-travel	mm	0.7	0.5	0.8
Max. Error <sup>1)</sup>	µm	1	1	1.2
Repeatability	µm	0.2	0.2	0.2
Moving mass	g	3.7	4.1	9.6

<sup>1)</sup> With Master unit. See as well the specifications of the pair Measuring probe/display unit.

## MEASURING FORCE

		P5	P10	P10S	P25	P25S
Standard	N	0.60-1.20	0.60-0.80	0.70-1.25	0.60-1.00	0.65-1.4
Minimum	N	---	< 0.10	---	< 0.15	---
Low	N	0.20-0.25	0.20-0.25	---	0.20-0.30	---
High	N	1.00-1.80	0.70-1.50	---	0.70-1.60	---
Lateral max	N	0.70	0.60	---	0.30	---

Tolerance ± 20%, measuring probe in vertical position, outgoing spindle.

## LIST OF REFERENCES

P5				P10				P25			
P5	900.1001	P5BV	900.1005	P10	900.1010	P10L LF	900.1014.91	P25	900.1025	P25S	900.1027
P5BL	900.1002	P5L	900.1006	P10 LF	900.1010.91						
P5V	900.1003	P5BVL	900.1007	P10S	900.1012	P10LS	900.1016				
P5B	900.1004	P5LV	900.1008	P10L	900.1014						

B = ball bearing / V = Vacuum lifter / L = 90° cable / LF = low force / S = with rubber boot

## BASIC INSTRUMENT

- Probe according to technical specifications
- Calibration certificate
- Cable 1.5 m
- Stainless steel contact point with tungsten carbide ball Ø 2 mm (905.2204)

# Capacitive measuring probes

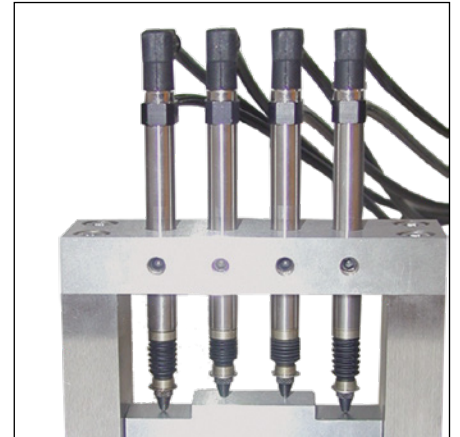
## APPLICATIONS



P5 probes connected to a D302 coupled with D300S for OD, concentricity and cylindricity measurements



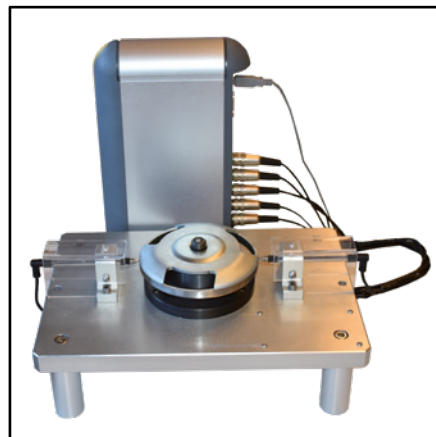
P5 probes connected to a D50S unit measuring the external diameter of a shaft



Combined probes for the measurement of several heights



Capacitive probes connected to a D70S.



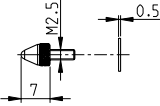
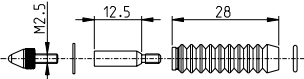
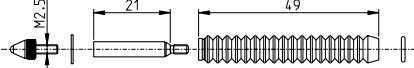
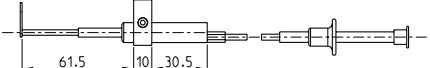
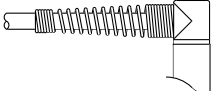
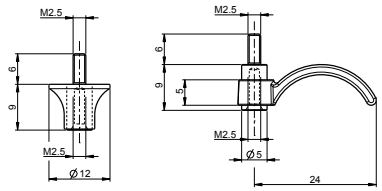
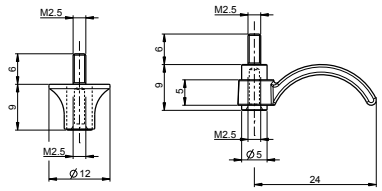
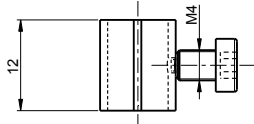
Capacitive probes connected to a D200S



Capacitive probes on a jig

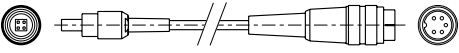
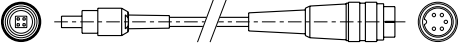
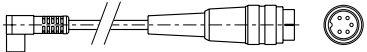
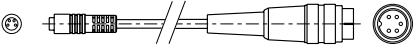
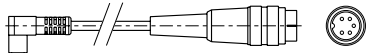
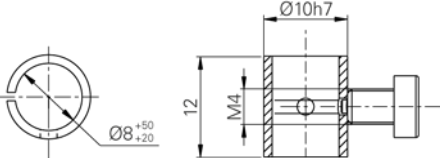
# Measuring probes

## ACCESSORIES

		P2i	P2iP	P5i	P5iP	P2	P5	P10	P25	P12D
	<b>905.2204</b>					•	•	•	•	•
	<b>901.2003</b>							•		
	<b>901.2004</b>								•	
	<b>901.2005</b>							•	•	•
	<b>901.2012</b>						•	•	•	
	<b>901.2013</b>						•	•	•	
	<b>901.2014</b>						•	•	•	
	<b>901.5110</b>	•		•						
	<b>905.2225</b>	•	•	•	•	•	•	•	•	•
	<b>905.2224</b>	•	•	•	•	•	•	•	•	•
	<b>905.2231</b>	•	•	•	•	•	•	•	•	•

# Measuring probes







## ACCESSORIES

		P2i	P2iP	P5i	P5iP	P2	P5	P10	P25	P12D
	<b>901.5002</b> Cable 1.5 m							•		
	<b>901.5012</b> Cable 1.5 m								•	
	<b>901.5032</b> Cable 1.5 m bent							•		
	<b>901.5042</b> Cable 1.5 m						•			
	<b>901.5052</b> Cable 1.5 m bent						•			
	<b>905.2231</b> Adapting socket + screw	•	•	•	•	•	•	•	•	•



# Digital display

## TABLE OF CORRESPONDENCES

							
		D50S	D50S PRO	D62S	D62S Adv.	D70S	D70H
Direct input	Probes	2 <sup>c)</sup>	2 <sup>c)</sup>	2 <sup>a)</sup>	2 <sup>a)</sup>	2 <sup>c)</sup>	2 <sup>H)</sup>
	RS/USB instruments						
	External contact	1	1	1	2	1 <sup>p)</sup>	1 <sup>p)</sup>
	Mbus						
	Air gages						
	Instrument with Bluetooth® technology						
Additional input	Probes						
	USB instruments						
	Analog display			•	•	•	•
Output	RS 232	•	•	•	•	•	•
	RS 485						
	USB			• <sup>10)</sup>	• <sup>10)</sup>	• <sup>10)</sup>	• <sup>10)</sup>
	Opto-coupled output						
	Analogic						
	Bluetooth® technology (slave)				•		
Functions	Direct zero setting	•	•	•	•	•	•
	Direct zero setting per channel	•	•	•	•	•	•
	Selection of resolution	•	•	•	•	•	•
	Selection of measuring direction	•	•	•	•	•	•
	PRESET	•	•	•	•	•	•
	Tolerance indicators			•	•	•	•
	Classification (max 8 classes)				•	• <sup>11)</sup>	• <sup>11)</sup>
	Min, Max, Delta				•	•	•
	A ± B (predifined functions)	•	•	•	•	•	•
	Mathematics functions				•		
	Scanning of the channels					•	•
	Histogram						
	Statistics						
	Memorization				•		
	Simultaneous display of the channels			•	•	•	•
	Dynamic measurement				•	•	•
	Calibration (max. 25 points)		•			•	
	Time and date display				•		
	Battery				•		

<sup>1)</sup> with unit (s) additional (s) D108

<sup>2)</sup> with 3 D200S units

<sup>3)</sup> 32 probes with units D200S or maximum 32 with D302 / D304 or M-Bus

<sup>4)</sup> with USB-Hub powered

<sup>5)</sup> depending on model, see details on pages D300S

<sup>6)</sup> with modul MB-IO










<sup>7)</sup> with dongle Smart for D300S & MB-BT for D400S

<sup>8)</sup> A± B± C± D±, depending on model

<sup>9)</sup> Maximum 99 instruments on D400S through M-BUS (MB-4D & MB-8D digimatic)

# Digital display

## TABLE OF CORRESPONDENCES

 <b>D70I</b>	 <b>D70A</b>	 <b>D200S</b>	 <b>D300S<sup>*)</sup></b>	 <b>D302</b>	 <b>D302 a</b>	 <b>D304</b>	 <b>D304 a</b>	 <b>D400S</b>
2 <sup>i)</sup>		8 <sup>c)</sup>	2(4) <sup>c)</sup> 1/6	2 <sup>c)</sup>	2 <sup>c)</sup>	4 <sup>c)</sup>	4 <sup>c)</sup>	
1 <sup>p)</sup>	1 <sup>p)</sup>	1	2 ● <sup>5)</sup>	1	1	1	1	1 ●
	2		● <sup>7)</sup>					● <sup>7)</sup>
		24 <sup>2)</sup>	32 <sup>3)</sup> 6 <sup>4)</sup>					99 <sup>9)</sup> 99 <sup>9)</sup>
●	●							●
●	●	●	●					●
● <sup>10)</sup>	● <sup>10)</sup>	●	●	●	●	●	●	●
		●	●					● <sup>6)</sup>
					●		●	
●	●	●	●					●
●	●	●	●					●
●	●	●	●	●	●	●	●	●
●	●	●	●	●	●	●	●	●
● <sup>11)</sup>	● <sup>11)</sup>		●					● <sup>11)</sup>
●	●	●	●	●	●	●	●	●
●	●	●	●	●	●			● <sup>12)</sup>
●	●	●	●			● <sup>8)</sup>	● <sup>8)</sup>	●
●	●		●					●
			●					●
			●					●
●	●	●	●					●
●	●	●	●					●
●		●	●	●	●	●	●	●
			●					●

<sup>10)</sup> Mini-USB

<sup>12)</sup> Model 2018

<sup>11)</sup> Up to 16 classes for 1 channel only

<sup>p)</sup> Binder 3 poles for D70S and D62S or Jack for D70H, D70A and D70I

<sup>c)</sup> capacitive, <sup>h)</sup> Heidenhain, <sup>i)</sup> inductive, <sup>a)</sup> absolute digital

\* Maximum 62 mixed on the D300S instruments

# Digital display

# D50S

## DESCRIPTION

- Digital display with 2 probe inputs
- Data output RS232C
- Power supply by external unit
- Light and compact
- Ease of use
- Correction of linearity on both channels (D50S PRO)

Resolution up to 0.0001 mm

Great clear and luminous display

Combination of channels A+B; A-B



Direct functions

Feet

Output cable RS232 to USB (925.1142), RS232 (925.5609) or Digimatic (926.8116)



Correction of linearity.  
Higher precision

IP40

SWISS MADE

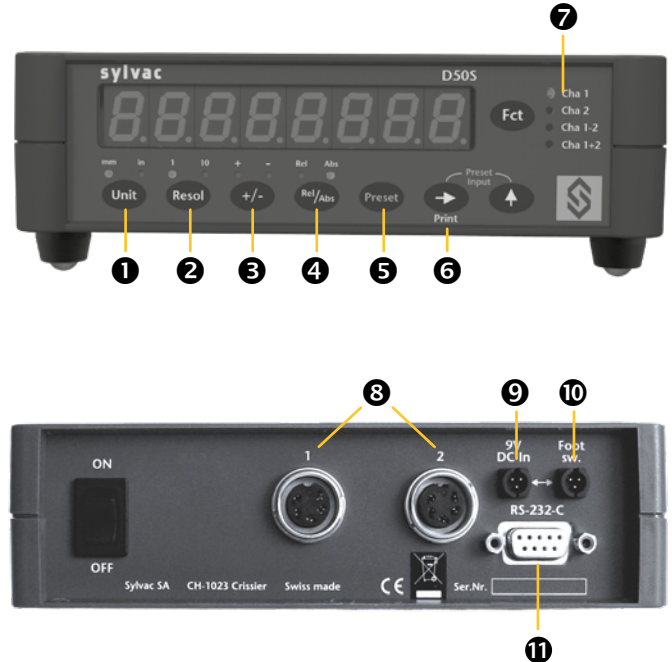
RS232

# Digital display

# D50S

## DISPLAY

- 1 Conversion mm/inch
- 2 Selection of resolution
- 3 Selection of measuring direction
- 4 REL and ABS measurement
- 5 PRESET function
- 6 Data sending
- 7 Selection of measuring mode: channel 1 ; channel 2 ; channel 1-2 ; channel 1+2
- 8 Probe inputs
- 9 Power supply connection
- 10 External contact connection
- 11 RS232 input/output



## TECHNICAL SPECIFICATIONS

		804.1050	804.1060
Type		D50S	D50S PRO
Max. Error	μm	P2 : 1.5 / P5 : 1.6 / P10 : 1.6 / P25 : 1.9	P2 : 0.5 / P5 : 0.6 / P10 : 0.6 / P25 : 0.8
Repeatability	μm	P2 : 0.2 / P5 : 0.2 / P10 : 0.2 / P25 : 0.2	P2 : 0.2 / P5 : 0.2 / P10 : 0.2 / P25 : 0.2
Overall dimensions	mm	180 x 75 x 50	180 x 75 x 50
Weight	kg	0.3	0.3
Case		Terblend Plastic	Terblend Plastic
Protection according to IEC 60529		IP40	IP40
Output data		RS232 / USB / Digimatic <sup>2)</sup>	RS232 / USB / Digimatic <sup>2)</sup>
Programmable by PC		•	•

<sup>1)</sup> Max error on D50S PRO paired with a probe

<sup>2)</sup> see cable chapter

## BASIC INSTRUMENT

- Unit according to technical specifications
- Feet (pair)
- Charging unit according to country (904.4200)
- Instruction manual

## APPLICATIONS



Measuring a shaft with 2 probes (A+B)



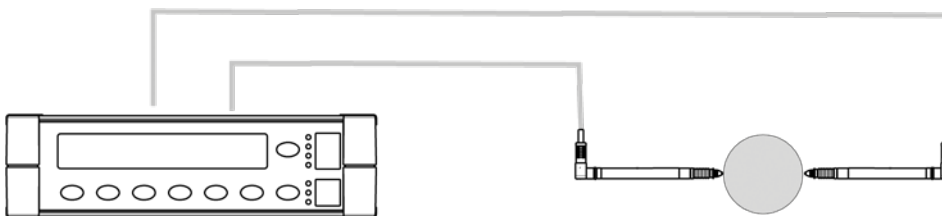
PS15 with connected to a D50S



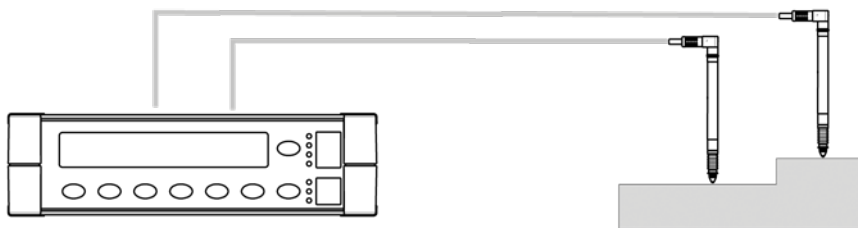
Simple measurement with one probe

## COMBINATIONS OF PROBES

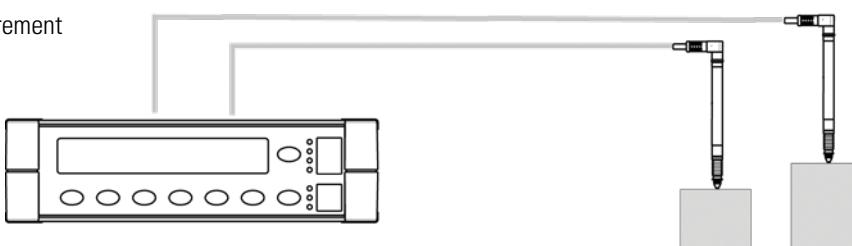
Diameter = 1+2



Difference = 1-2



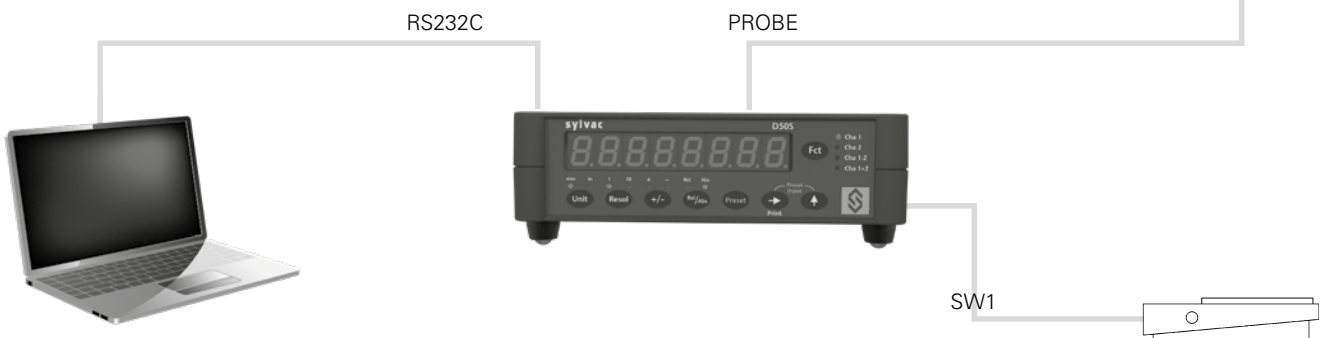
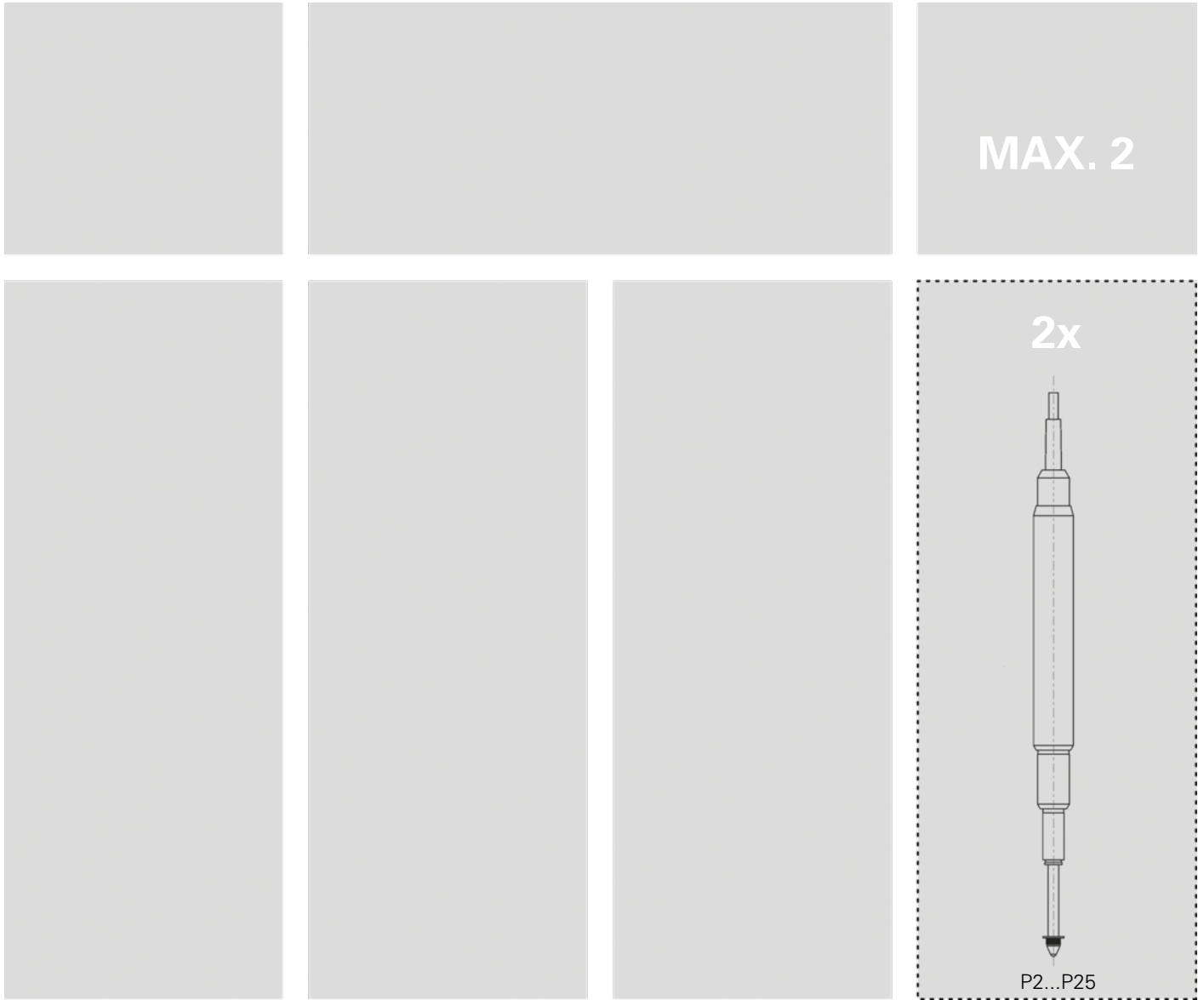
Individual measurement



# Digital display

# D50S

## POSSIBILITIES OF CONNECTION



H

# Digital display

# D62S

## DESCRIPTION

- New compact display unit exclusively for P12D probes with industrial connector M8
- 2x P12D probe inputs (M8)
- Innovative modern design
- Large touch screen display 4.3" with intuitive functions
- Shockproof construction
- Built-in battery autonomy 8 hours (depends on model)
- Indication of the global tolerance (depends on model)
- Data output RS232, USB or Bluetooth® technology (depends on model)
- Programmable by PC



Output cable RS232 to RS232 (926.5609) or USB (925.1142) or output cable mini-USB sur USB (926.6001)

**IP54**

(front face)

**mini-USB**

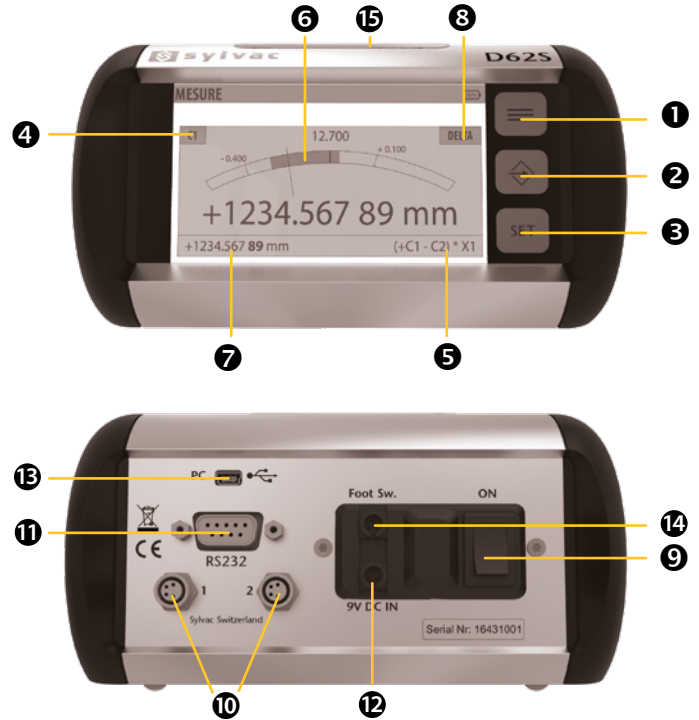
**RS232**

# Digital display

# D62S

## DISPLAY

- 1 Menu display
- 2 Favourite key
- 3 SET
- 4 Selection of channels
- 5 Formula <sup>1)</sup>
- 6 Analog display
- 7 Current value, mode MIN/MAX/DELTA <sup>1)</sup>
- 8 Measuring mode MIN/MAX/DELTA <sup>1)</sup>
- 9 ON/OFF switch
- 10 Probe inputs (M8 - P12D)
- 11 RS232 inputs/outputs
- 12 Power-supply
- 13 mini/USB Device (PC connection)
- 14 Footswitch input
- 15 Light indicator of the global tolerances <sup>1)</sup>



<sup>1)</sup> only on Advanced model

## TECHNICAL SPECIFICATIONS

	804.1062	804.1063
Model	D62S	D62S Advanced
Inputs	2x M8 for Sylvac absolute digital probes	
Resolution	µm	0.01
Max. error	µm	P12D HR : 0.6
Repeatability	µm	P12D HR : 0.08
Overall dimensions	mm	170 x 90 x90
Weight	kg	0.75
Case	Aluminium and thermoplastic elastomer	
Protection according to IEC 60529	IP40 (Front face : IP54)	
Output data	USB (Device) <sup>1)</sup> , RS232	Bluetooth® wireless technology, RS232, USB (Device) <sup>1)</sup>
Indicator of the global tolerance		•
Battery		•
Time and date display (RTC)		•

<sup>2)</sup> see cables chapter



## BASIC INSTRUMENT

- Unit according to technical specifications
- Charging unit according to country (904.4200)
- Instruction manual

## APPLICATIONS



Probes P12D connected to a D62S.

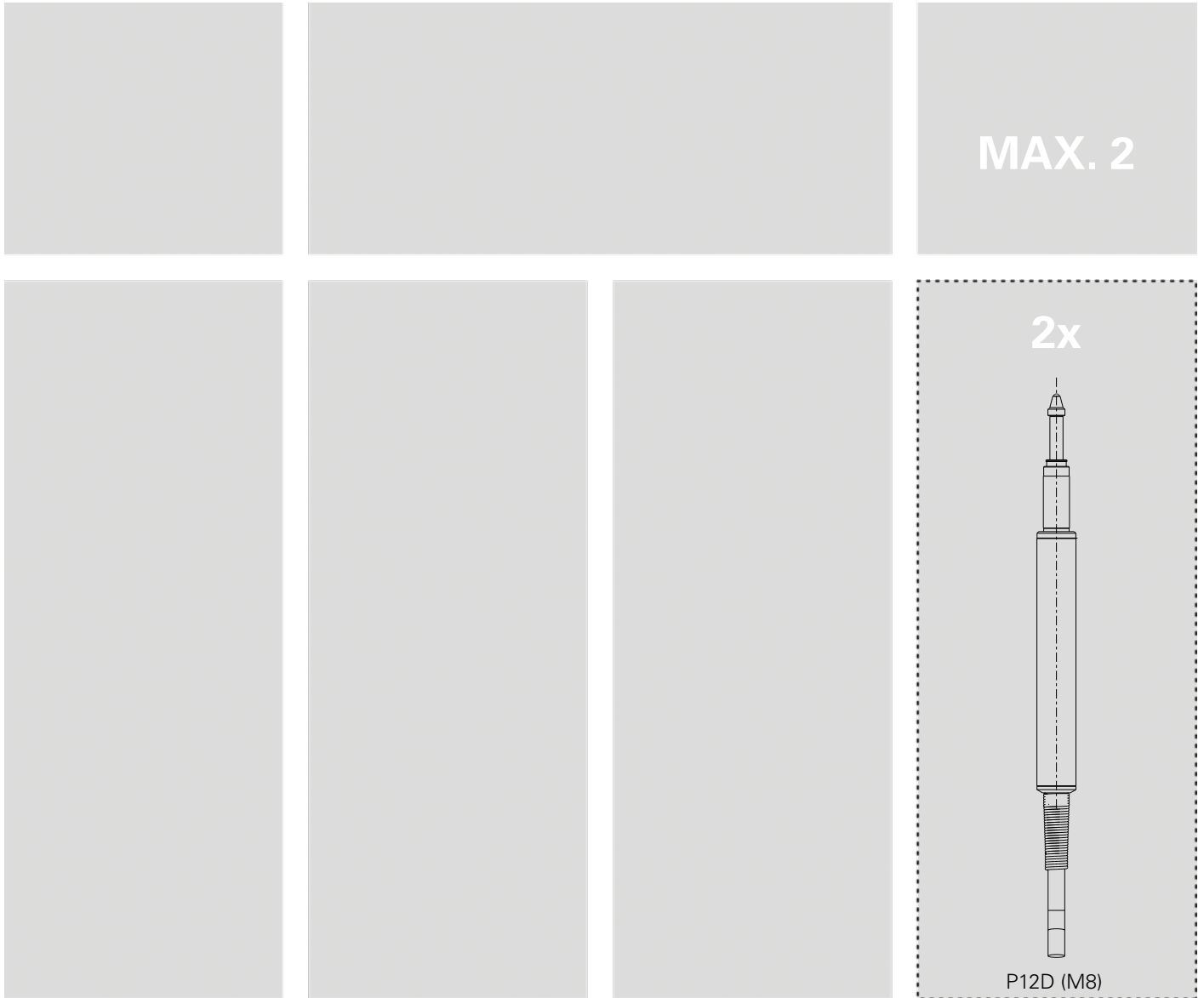


D62S Advanced sending data on the Sylvac Smart App for smartphones.

# Digital display

# D62S

## POSSIBILITIES OF CONNECTION



H

# Digital display

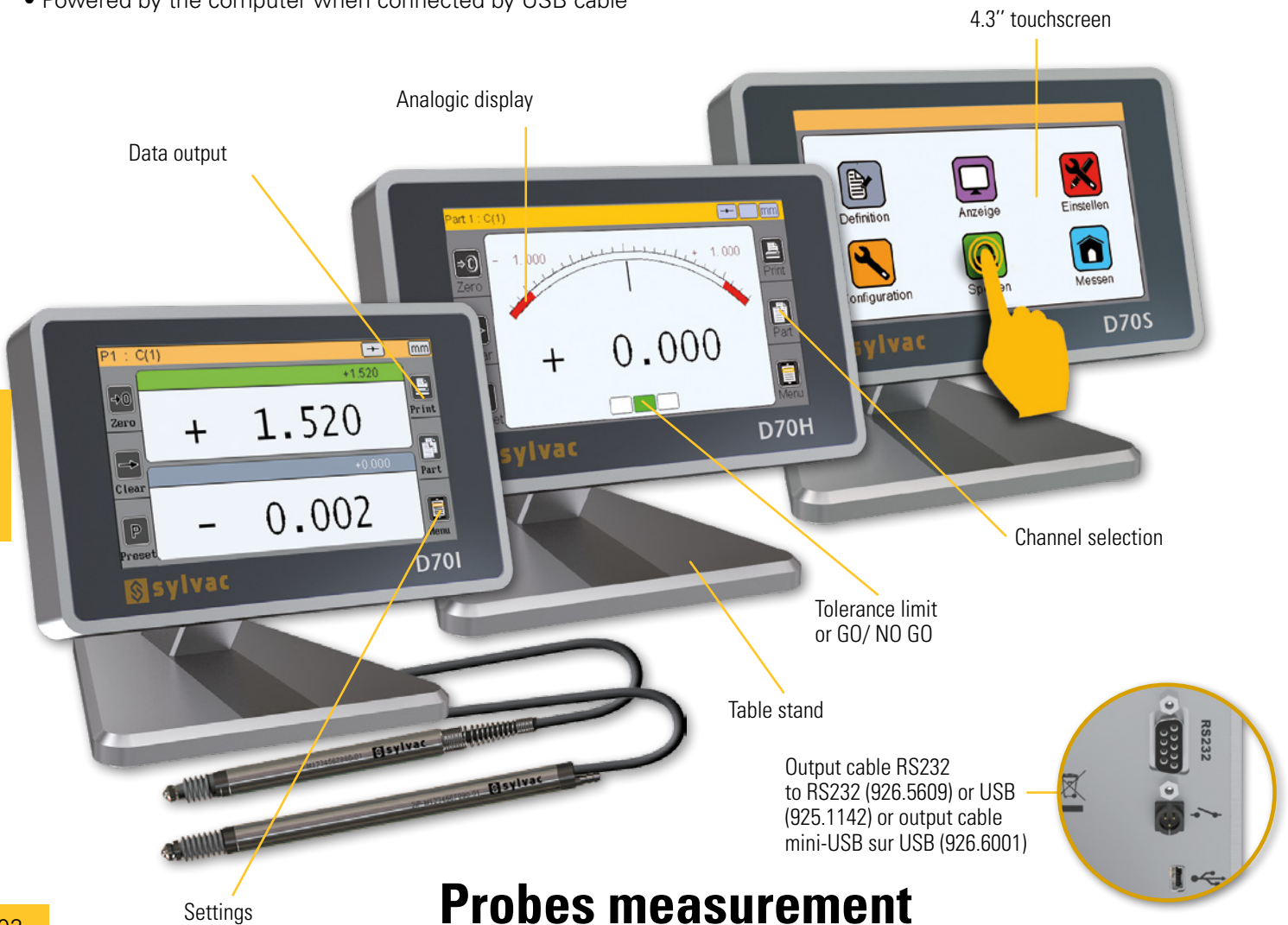
# D70S/H/I

## DESCRIPTION

- 4"3 touch screen display
- Available in 3 versions:
  - D70S for Sylvac capacitive probes
  - D70I for Sylvac inductive probes (also compatible with Tesa and Mahr probes)
  - D70H for Heidenhain ST/MT probes (Mitutoyo and Magescale probes with adapter)
- All versions with 2 probes/instruments inputs
- Display resolution selectable up to 0.00001 mm (on D70H)
- Simple or double display with bargraph, needle or no-tolerances
- Probe's combination : (C1, C2, C1-C2 ...)
- Direct measurement or Min, Max, Average, Max-Min...
- User friendly interface
- Very robust construction (Aluminium)
- USB connection «Keyboard» unidirectional and RS232 bidirectional
- No driver, no software to be installed
- Compatibility Excel and SPC
- Powered by the computer when connected by USB cable

mini-USB

RS232



H

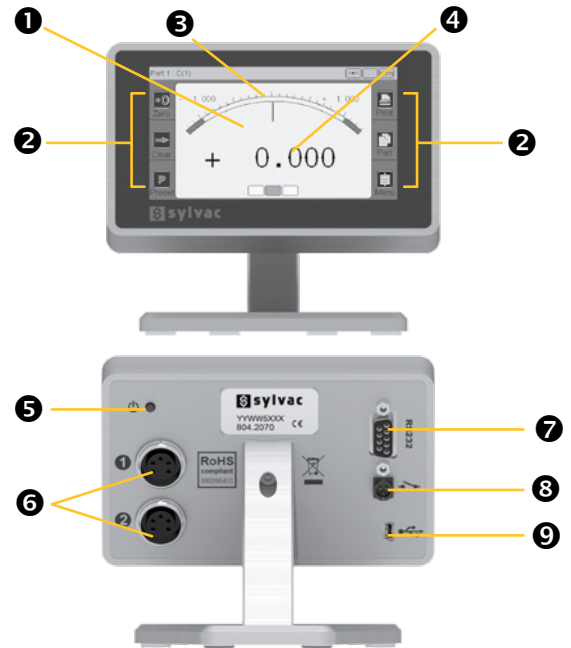
## Probes measurement

# Digital display

# D70S/H/I

## DISPLAY

- ① 4.3" Touchscreen display
- ② User friendly interface
- ③ Analogic display
- ④ Digital display
- ⑤ ON/OFF
- ⑥ 2 Capacitive / Inductive / 1VPP probes input (depending model)
- ⑦ RS232 output
- ⑧ 1 external contact
- ⑨ Mini-usb and and supply/data



## TECHNICAL SPECIFICATIONS

		<b>804.2070</b>
Type		D70S
Overall dimensions	mm	140x105x111
Weight	kg	0.6
Case		Aluminium
Protection according to IEC 60529		IP40
Output data		USB / RS232
Probes		Sylvac Capacitive probes
Programmable by PC		●

		<b>804.2072</b>
Type*		D70H
Overall dimensions	mm	140x105x111
Weight	kg	0.6
Case		Aluminium
Protection according to IEC 60529		IP40
Output data		USB / RS232 (1x1)
Probes		Heidenhain ST/MT probes (Mitutoyo & Magescale with adapter)
Programmable by PC		●

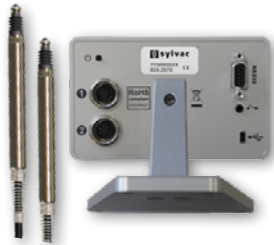
\* Not available in Switzerland

# Digital display

# D70S/H/I

## TECHNICAL SPECIFICATIONS

		804.2071
Type		D70I
Overall dimensions	mm	140x105x111
Weight	kg	0.6
Case		Aluminium
Protection according to IEC 60529		IP40
Output data		USB / RS232 (1x1)
Probes		Sylvac Inductive probes (Tesa & Mahr compatible)
Programmable by PC		●



D70S : Capacitive probes



D70I : Inductive probes



D70H : Heidenhain probes

## APPLICATIONS



D70S with capacitive Sylvac probes



D70H with Heidenhain probes



D70I with inductive probes

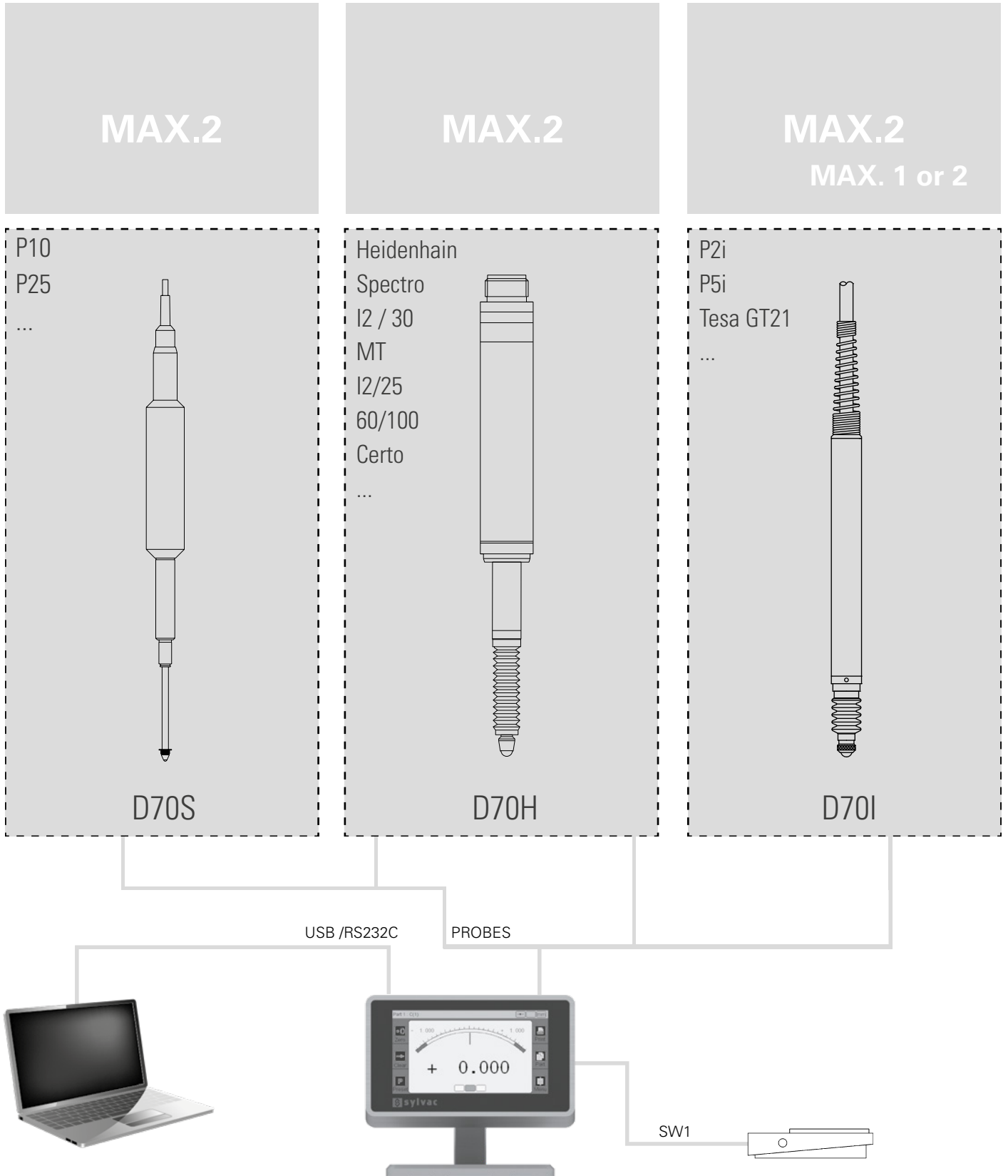
## BASIC INSTRUMENT

- Unit according to technical specifications
- Table base
- Charging unit
- Instruction manual (CD-ROM)

# Digital display

# D70S/H/I

## POSSIBILITIES OF CONNECTION



# Digital display

# D70A

## DESCRIPTION

- 4"3 touch screen display
- Compatible with all brands of plug and air gages
- Available in 2 versions : 1 or 2 inputs
- Input for MB-IO
- Simple or double display with bargraph, needle or no-tolerances
- Direct measurement or Min, Max, Average, Max-Min...
- User friendly interface
- Very robust construction (Aluminium)
- USB connection «Keyboard» unidirectional and RS232 bidirectional
- No driver, no software to be installed
- Compatibility Excel and SPC
- Powered by the computer when connected by USB cable

mini-USB

## Air measurement

RS232

4.3" touchscreen



Table stand

Output cable RS232 to RS232 (926.5609) or USB (925.1142) or output cable mini-USB sur USB (926.6001)

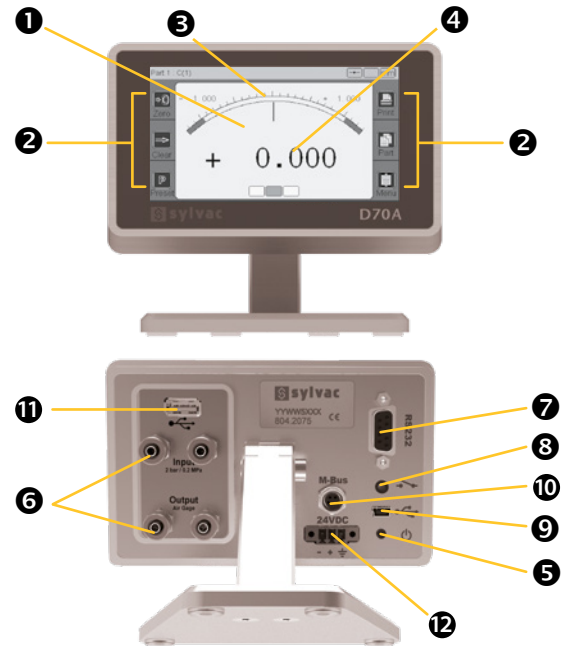
\* plug and air gages available on request

# Digital display

# D70A

## DISPLAY

- ① 4.3" Touchscreen display
- ② User friendly interface
- ③ Analogic display
- ④ Digital display
- ⑤ ON/OFF
- ⑥ 1 or 2 air gages inputs (depending model)
- ⑦ RS232 output
- ⑧ 1 external contact
- ⑨ Mini-usb and and supply/data
- ⑩ M-Bus Input
- ⑪ USB key input
- ⑫ Power-supply 24VDC



## TECHNICAL SPECIFICATIONS

			<b>804.2074</b>
Type			D70A - 1 input
Overall dimensions	mm		140x105x111
Weight	kg		0.6
Case			Aluminium
Protection according to IEC 60529			IP40
Output data			USB / RS232
Instruments			Plug gages and air gages
Programmable by PC			●

			<b>804.2075</b>
Type*			D70A - 2 inputs
Overall dimensions	mm		140x105x111
Weight	kg		0.6
Case			Aluminium
Protection according to IEC 60529			IP40
Output data			USB / RS232 (1x1)
Instruments			Plug gages and air gages
Programmable by PC			●



# Digital display

# D70A

## TECHNICAL SPECIFICATIONS



D70A - 1 input



D70A - 2 inputs

## APPLICATIONS AND ACCESSORIES



D70A with air and plug gauges



Air kit for D70A (804.2203)



D70A with accessory 804.2202 (panel mounting)

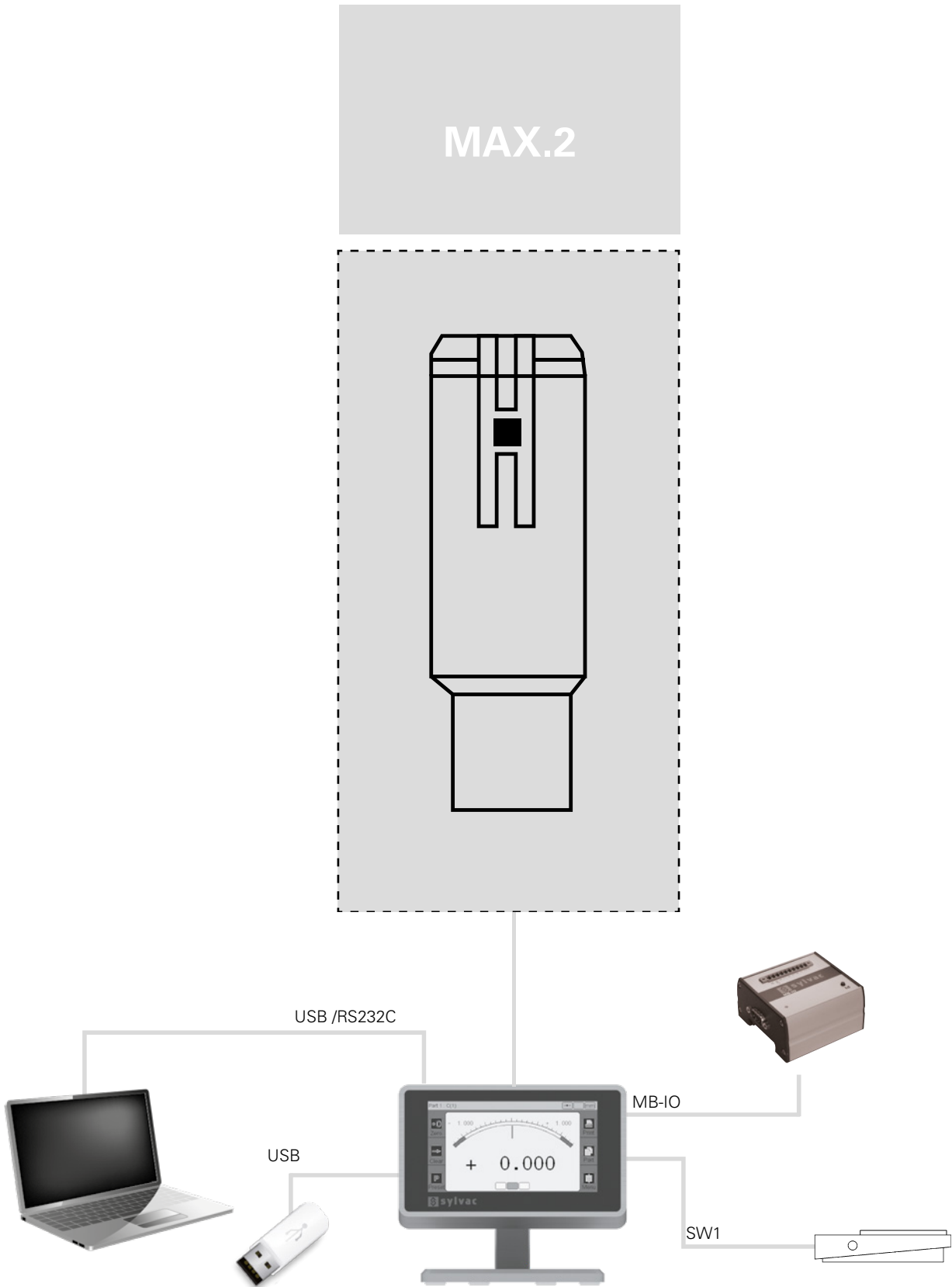
## BASIC INSTRUMENT

- Unit according to technical specifications
- Table base
- Charging unit
- Instruction manual (CD-ROM)
- 2 additional sets of restrictors

# Digital display

# D70A

## POSSIBILITIES OF CONNECTION



# Multiplexer unit

# D200S

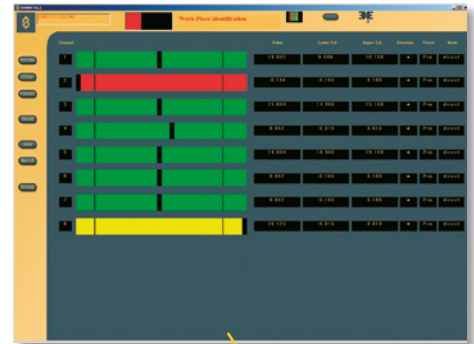
## DESCRIPTION

- Multiplexer with 8 inputs (for Sylvac probes P2 to P25)
- Dynamic measurement (200 mes/s)
- Ideal for the layout conception of multi-gauging
- Command for pneumatic lifting unit
- Software allowing the treatment of up to 24 channels simultaneously (bargraph)
- Sending of the measured values into Excel, notepad or in specific files
- Creation of sequences for sending data
- Mathematic combinations between channels
- Standalone use possible



Output cable USB to USB (804.1210) or output cable RS232 to RS232 (925.5609)

8 inputs for Sylvac probes



Software allowing the treatment of up to 24 channels simultaneously (bargraph)

Tolerance indicators

Connection by USB (2x) or RS232 (1x)

Opto-coupled digital output rack

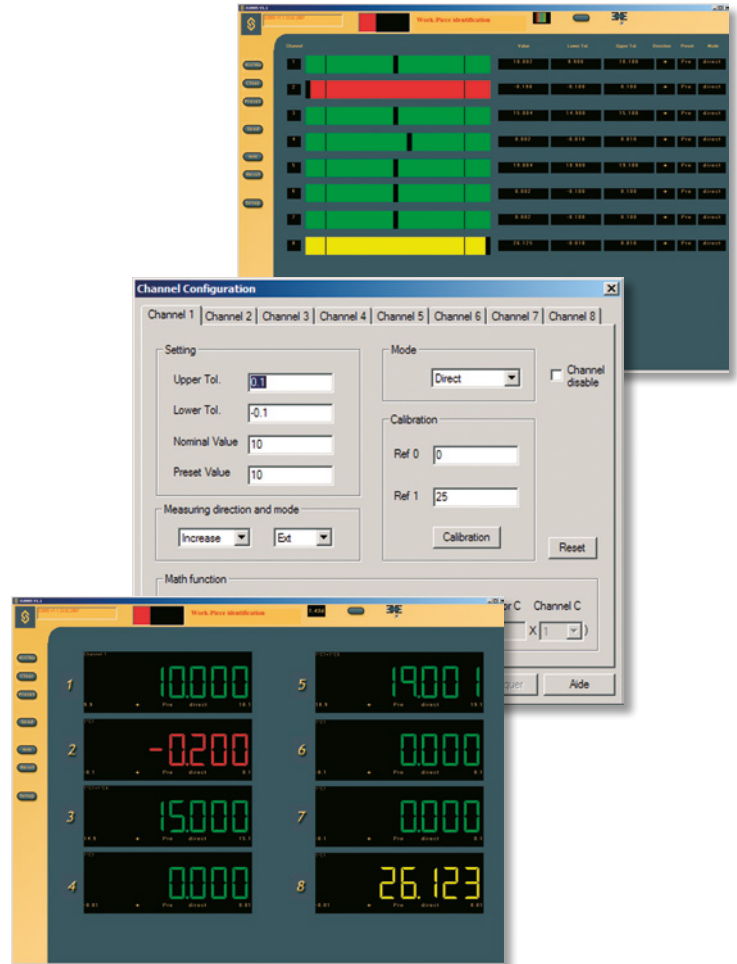
Connection by USB (2x) or RS232 (1x)

# Multiplexer unit

# D200S

## DISPLAY/SOFTWARE

- Selection of unit mm/inch**
- Selection of resolution**
- PRESET function**
- Sending Data**
- Tolerance indicators with LED**
- Min/Max/Delta display**
- Individual selection of measuring direction**
- Switchable digital/bargraph display**
- Global tolerance status of the measured part**
- Programming channels screen**
- Sending Sequences of Data**
- External contact configuration**
- Electrical external contact configuration**
- Open / Save configurations**
- Transfer configuration to D200S unit**



## TECHNICAL SPECIFICATIONS

		<b>804.1200</b>
Type		D200S
Max. Error	µm	P2 : 1.5 / P5 : 1.6 / P10 : 1.6 / P25 : 1.9
Repeatability	µm	P2 : 0.2 / P5 : 0.2 / P10 : 0.2 / P25 : 0.2
Frequency of measurement		200 values /second
Overall dimensions	mm	304 x 171 x 61
Weight	kg	1.2
Case		Aluminium profile, Terlend plastic, ABS and aluminium vanished
Protection rating according to IEC 60529		IP50
Output data		USB / RS232 <sup>1)</sup>
Programmable by PC		●

<sup>1)</sup> see cables chapter

# Multiplexer unit

# D200S

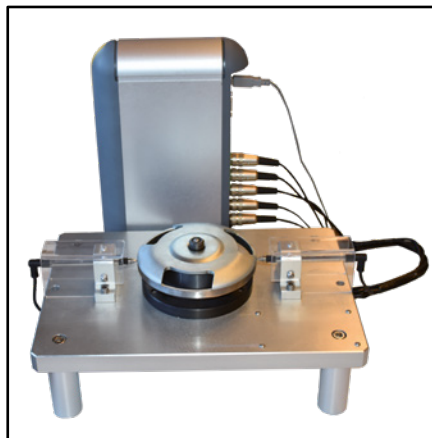
## BASIC INSTRUMENT

- Instrument according to technical specifications
- Feet for use in vertical position
- Charging unit according to country (904.4200)
- PC Connection cable type USB (804.1210)
- CD with D200S software
- Instruction manual

## APPLICATIONS



Dynamic measurement of several diameters, (OD and ID) of a shaft



Capacitive probes connected to a D200S.

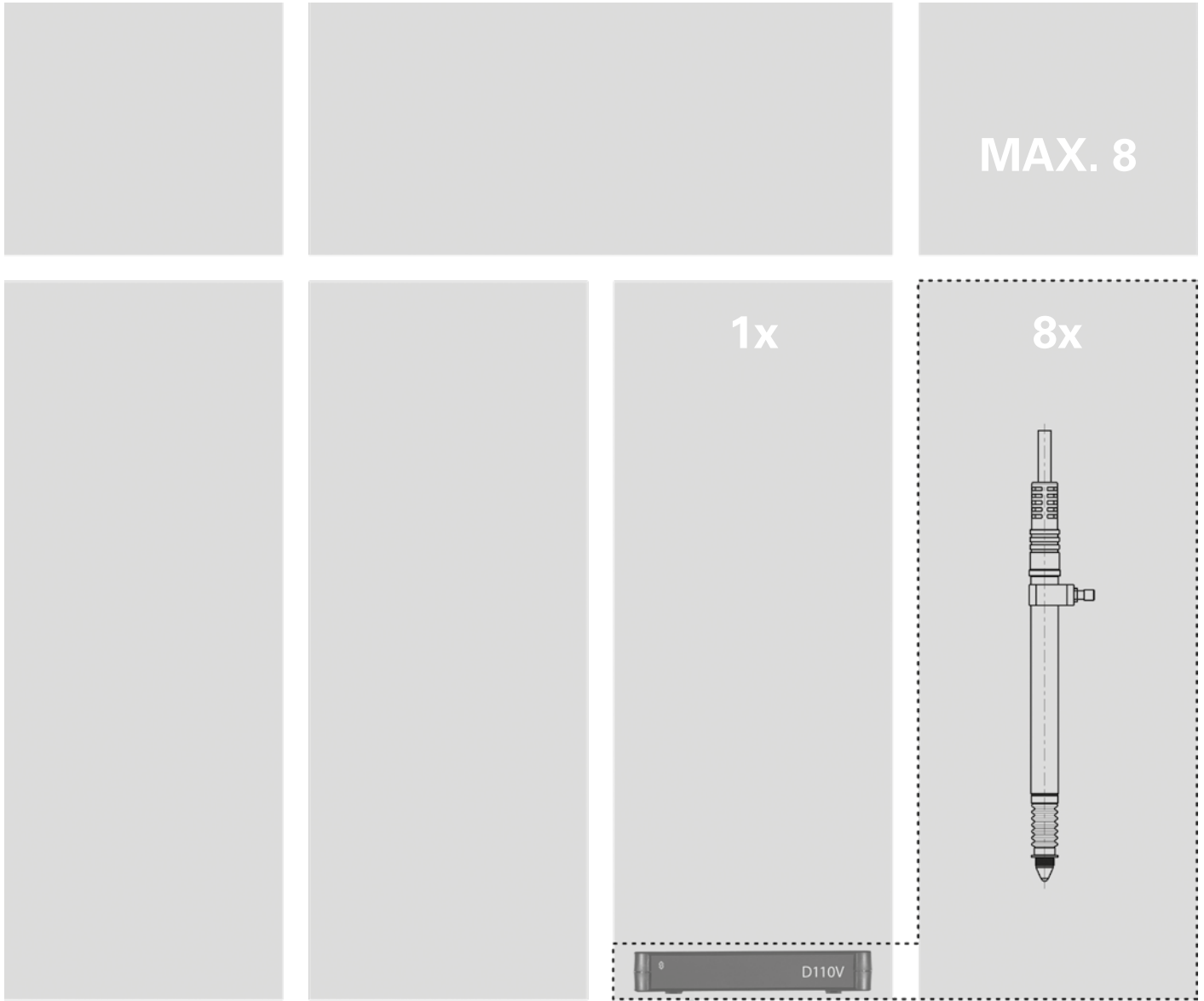


Multi-gauging application

# Multiplexer unit

# D200S

## POSSIBILITIES OF D110V PNEUMATIC LIFTER

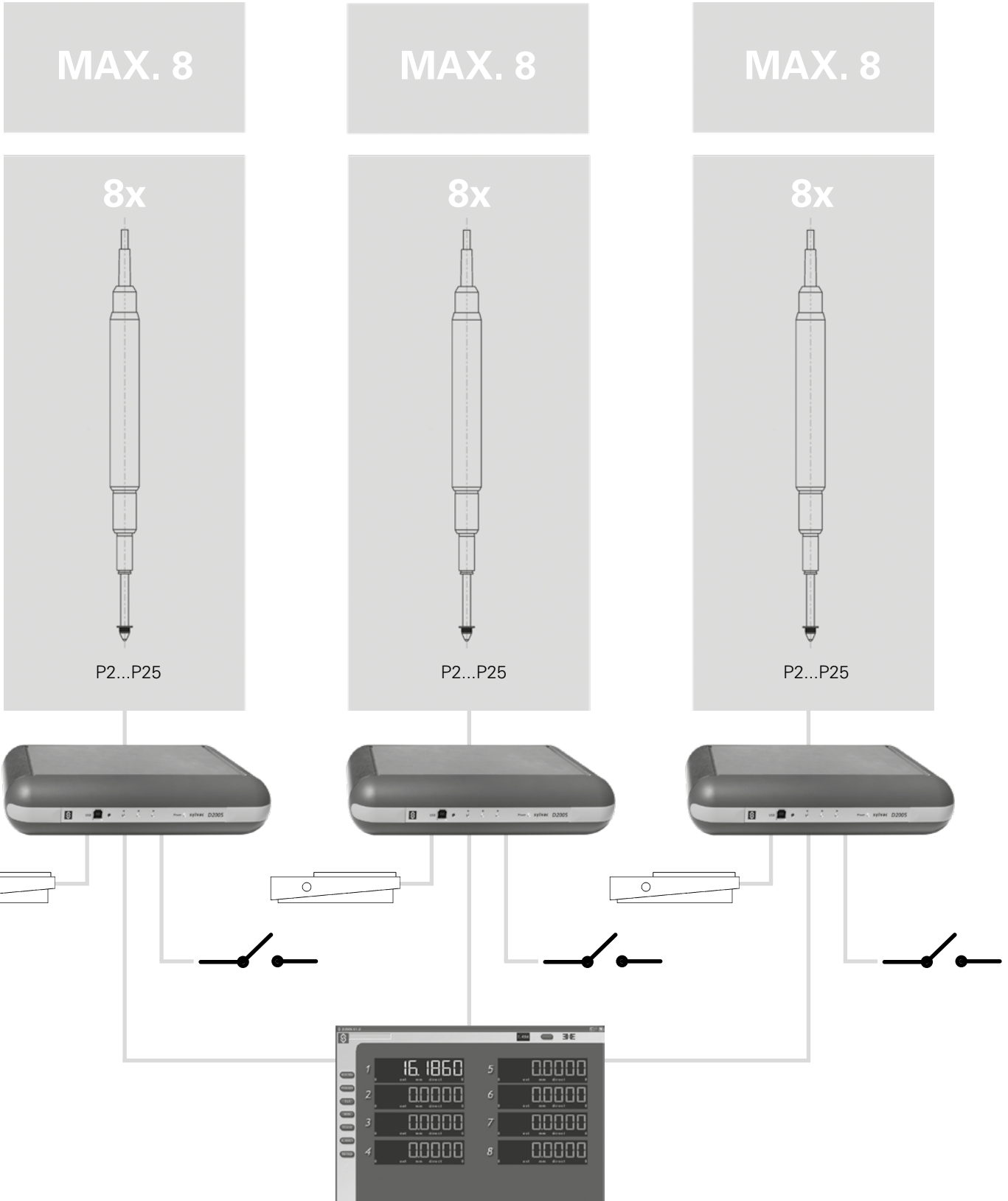


H

# Multiplexer unit

# D200S

## POSSIBILITIES OF CONNECTION



H





## DESCRIPTION

- Digital display with 8.5" touchscreen
- Available in 3 versions :
  - 6 USB and M-Bus
  - 6 USB and 2 Sylvac capacitive probe input
  - 6 USB and 4 Sylvac capacitive probe input
- Automatic detection of connected instruments
- CPU 5 times faster than previous version
- OS based on Windows CE 7 embedded
- Display and page setting fully configurable (up to 8 channels per page, up to 64 pages)
- Memorizing of setups and values
- RJ-45 Ethernet connector
- General or individual Preset
- Math functions for each channel
- Numeric, analog and statistic display
- Compatible with instruments with Bluetooth® Wireless technology\*



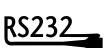
Output cable USB to USB (804.1210) and output cable RS232 to RS232 (925.5609)

Large touchscreen 8.5" protected against liquids IP65



Fully configurable user interface allowing to define the number of displayed channels per screen

Ergonomic keyboard



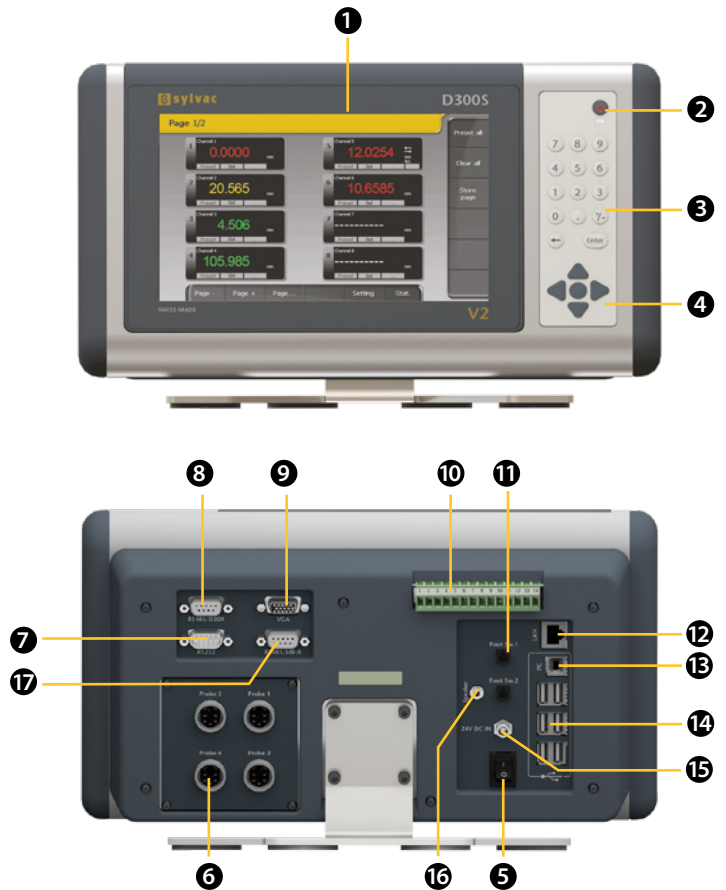
\* Dongle Smart required

# Digital display

# D300S V2

## INTERFACE | HARDWARE

- ① Touchscreen 8.5"
- ② ON/OFF button for LCD
- ③ Numeric keyboard
- ④ Navigation keyboard
- ⑤ ON/OFF switch
- ⑥ Capacitive probes inputs
- ⑦ RS-232 instrument input
- ⑧ RS-485 input
- ⑨ VGA output
- ⑩ Opto-coupled digital output
- ⑪ 2 inputs for external contacts
- ⑫ RJ-45 Ethernet
- ⑬ USB Device connector
- ⑭ 6 USB Host inputs
- ⑮ 24VDC connector
- ⑯ Audio jack connector
- ⑰ RS485 connector for connecting MB-X modules



## TECHNICAL SPECIFICATIONS

		804.1300	804.1320	804.1310
Model		D300S-2	D300S-4	D300S
Inputs *		2 probes / 6 USB**	4 probes / 6 USB**	M-BUS / 6 USB
Max error	µm	P2 : 1.5 / P5 : 1.6 / P10 : 1.6 / P25 : 1.9		P2i / P5i / P10i
Max. Error <sup>1)</sup>	µm	P2 : 0.5 / P5 : 0.6 / P10 : 0.6 / P25 : 0.8		---
Repeatability	µm	P2 : 0.2 / P5 : 0.2 / P10 : 0.2 / P25 : 0.2		---
Overall dimensions	mm	330 x 175 x 77		
Weight	kg	3.3		
Case		Steel / Plastic		
Protection rating according to IEC 60529		IP40		
Output data		USB / RS232		
Programmable by PC		●		

<sup>1)</sup> Probe and unit calibrated

\* Extendable to 32 probes and 30 USB instruments

\*\* On request, all the units can be provided with M-Bus modules connectors

# Digital display

# D300S V2

## BASIC INSTRUMENT

- Unit according to technical specifications
- Table base
- External contact (foot-pedal)
- Charging unit according to country (804.4000)
- Instruction manual

## APPLICATIONS



Many instruments connected to the D300S with live displayed colored values to indicate the tolerances



Multi-gauging measurement using D200S interface and D300S display



Measurement using PS17 bench Automatic detection of measuring channel and automatic switch to the right window



Multiple instruments connection through Bluetooth® wireless technology



Multiple instruments connection through M-BUS inputs

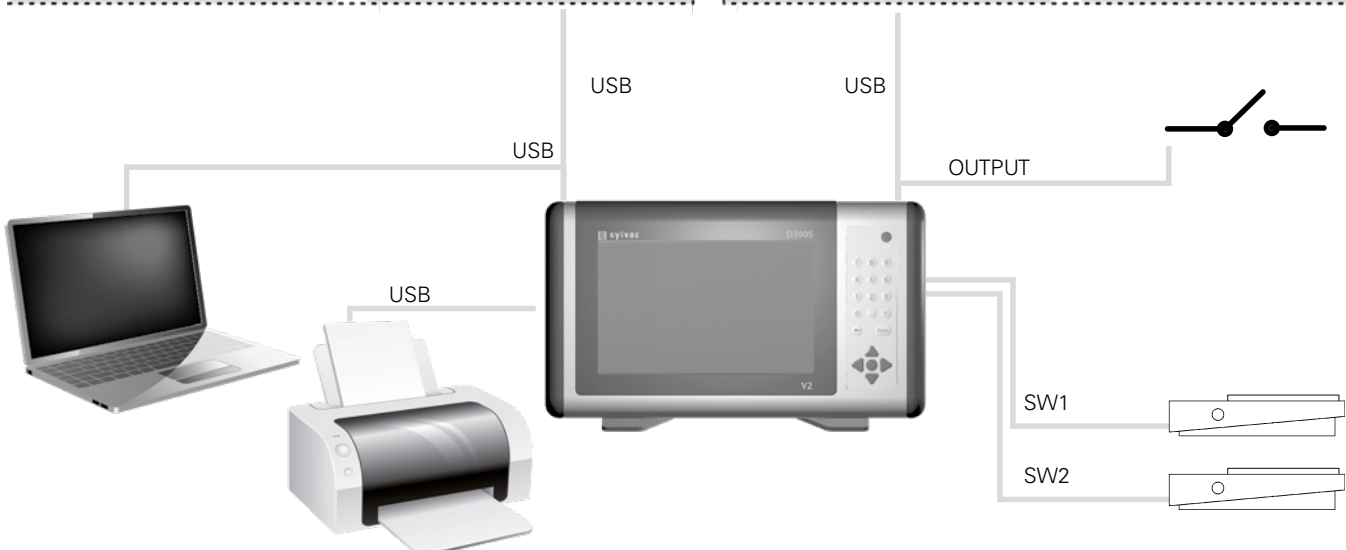
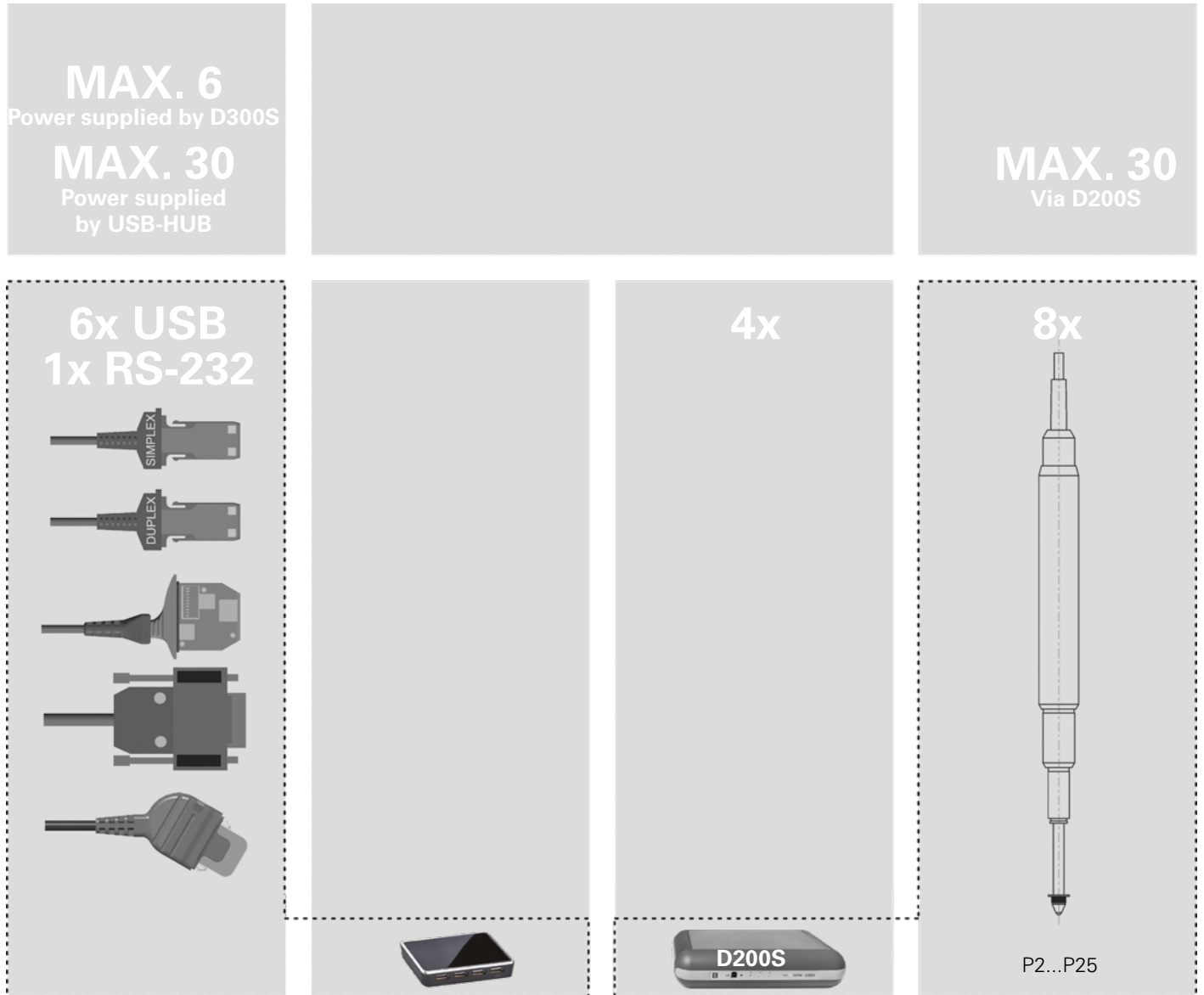


Dial gauges with Bluetooth® wireless technology connected to D300S

# Digital display

# D300S V2

## POSSIBILITIES OF CONNECTION WITH ACCESSORIES

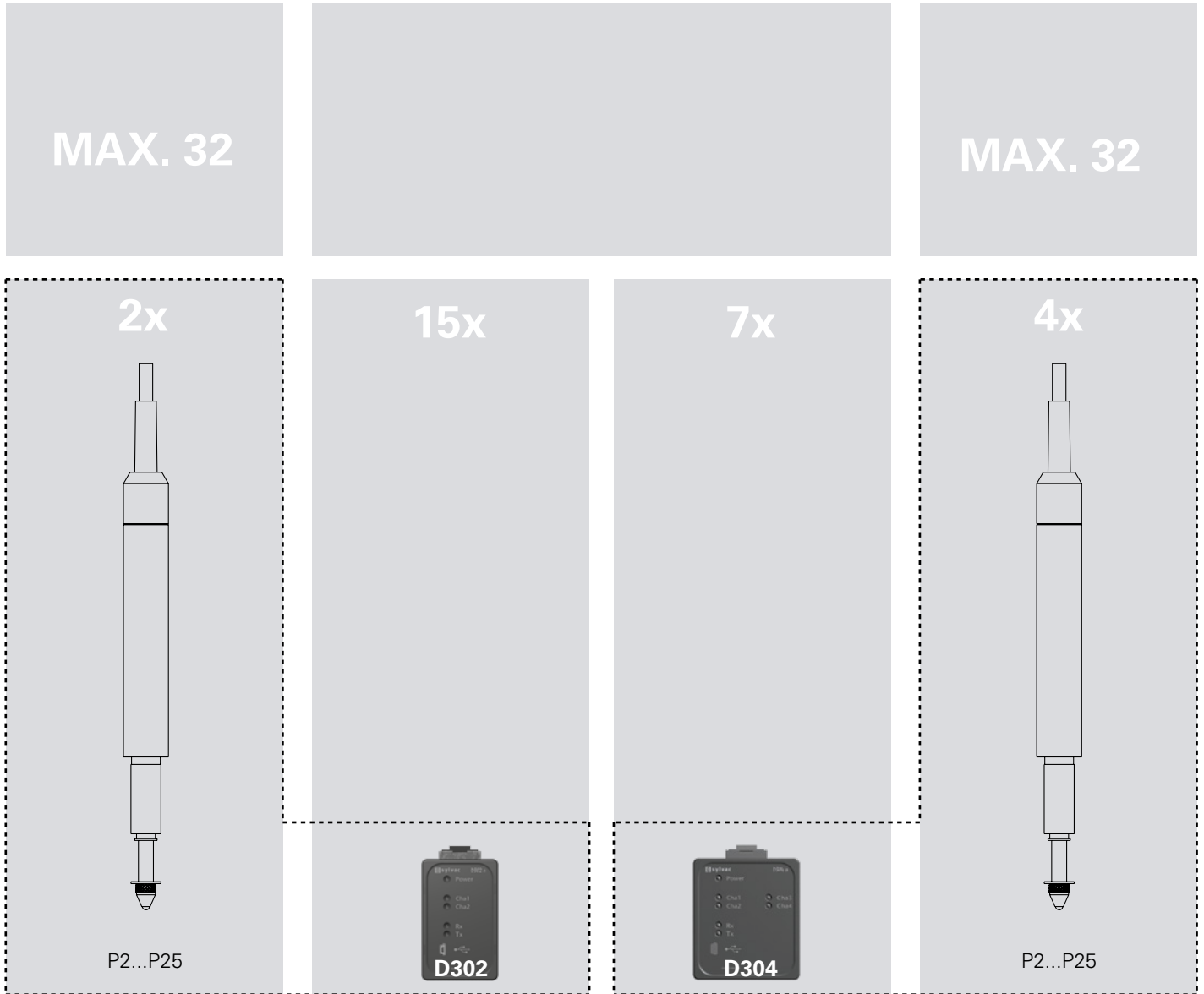


H

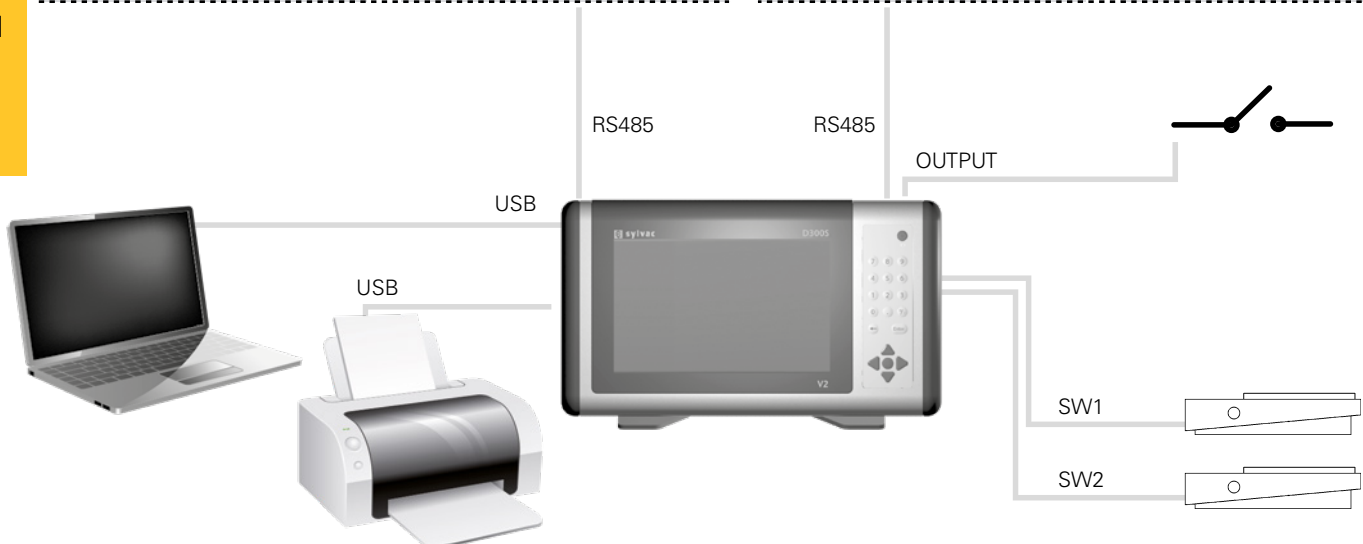
# Digital display

# D300S V2

## POSSIBILITIES OF CONNECTION WITH ACCESSORIES



H



# Digital display

# D300S V2

## POSSIBILITIES OF CONNECTION WITH ACCESSORIES

MAX. 32

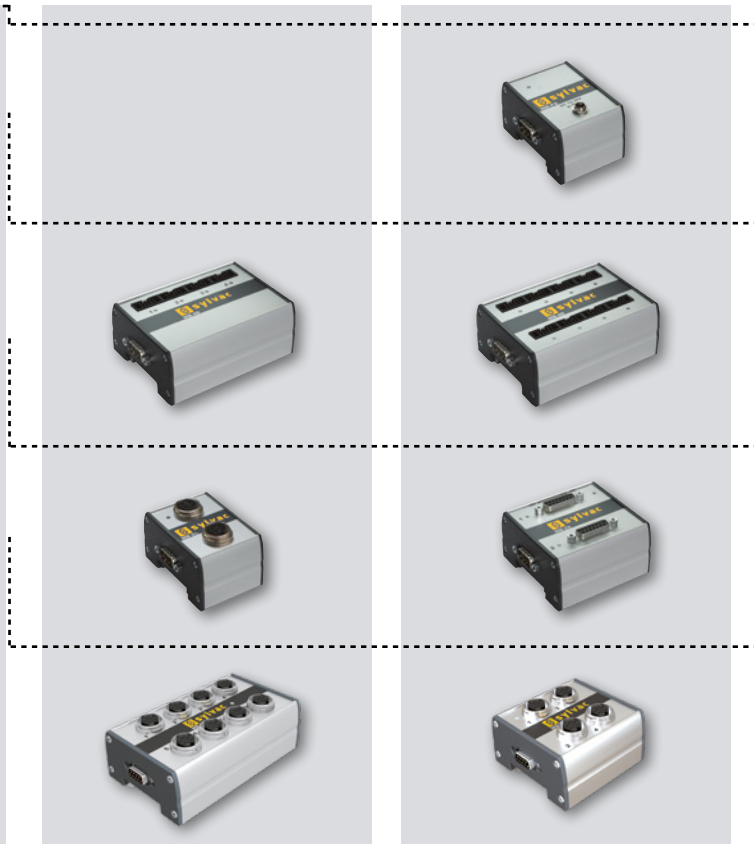
Compatible with all M-BUS modules, except MB-RS, MB-AG and MB-BT

MAX. 32

2 - 8x\*



P2i / P2iP / P5i / P5iP

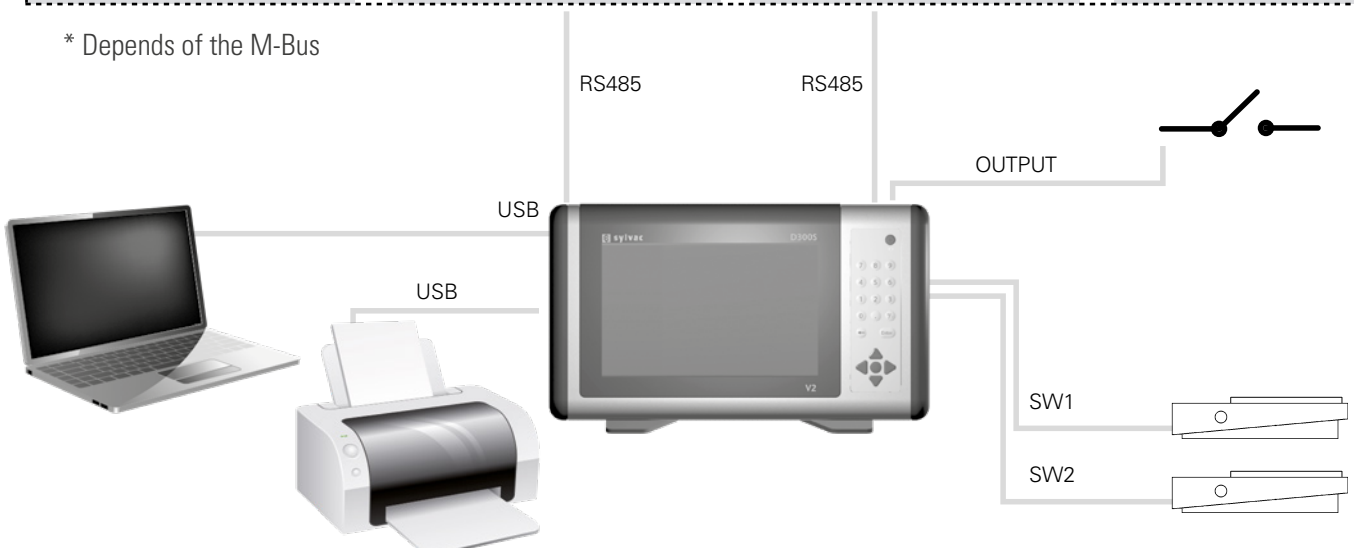


2 - 8x\*



P2i / P2iP / P5i / P5iP

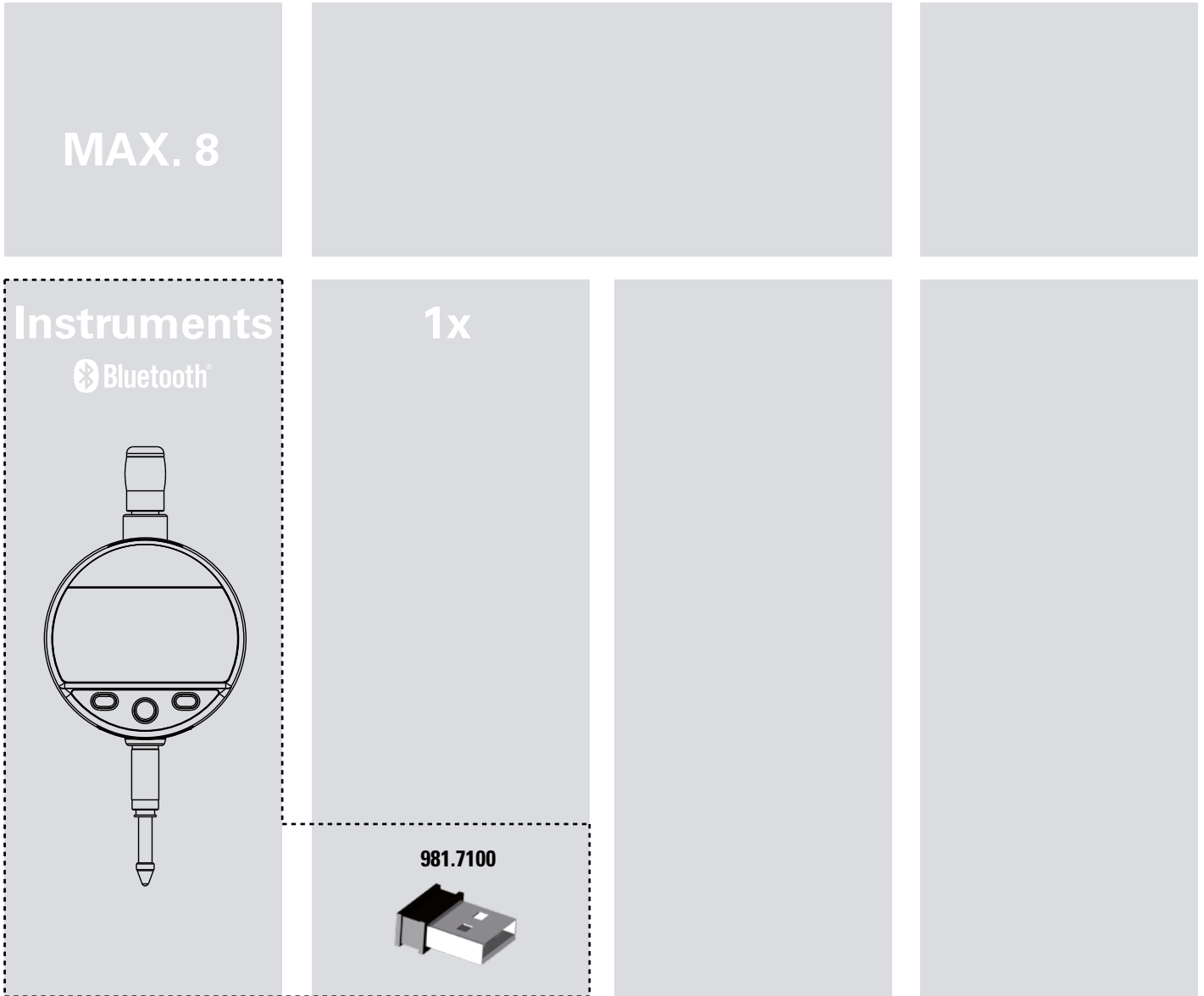
\* Depends of the M-Bus



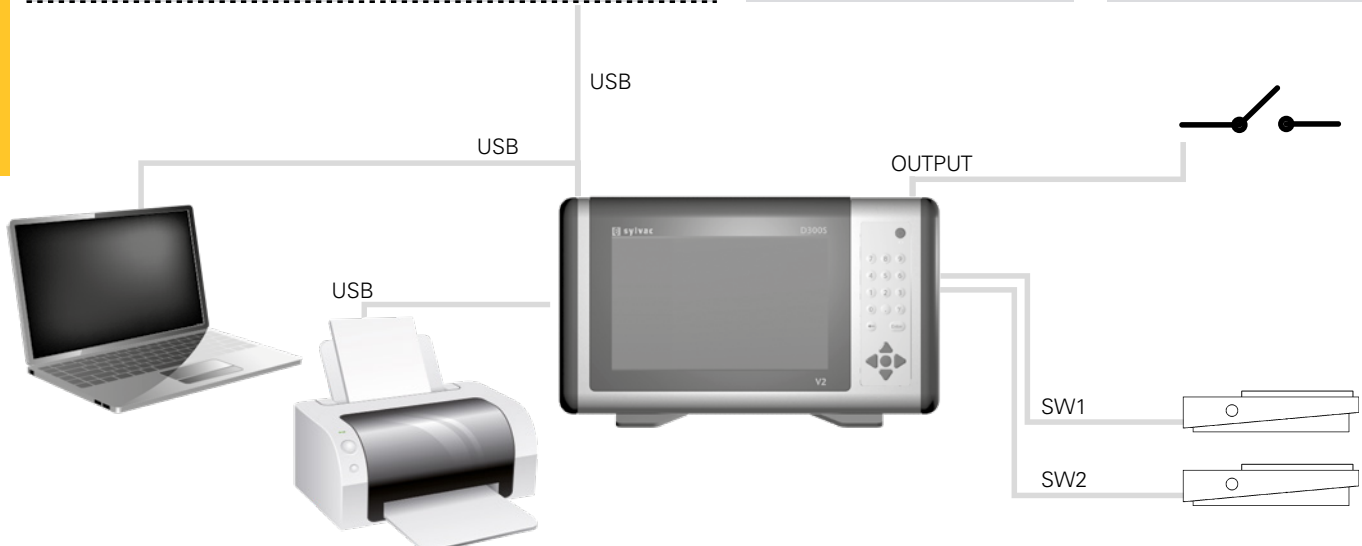
# Digital display

# D300S V2

## POSSIBILITIES OF CONNECTION WITH BLUETOOTH® WIRELESS TECHNOLOGY



H







## DESCRIPTION

- Digital multifunctional unit with 7" touch screen display
- Multi-brands compatible through M-BUS multiplexers (possibility to mix the brands)
- Designed for multigauging applications
- Up to 99 instruments connectable through M-BUS modules
- Automatic detection of connected instruments
- Storage of up to 128 different parts configurations
- Up to 30'000 measurements can be saved by configuration
- Display of up to 32 channels simultaneously (on the same screen) or distributed up to 32 pages
- Single or multi-gauging display mode
- SPC functions (run chart, pareto, histogram with Gauss curve, etc.)
- PLC functions and PLC communication protocols
- Formula editor, free combination between all instruments connected to the M-BUS
- Configurable by PC
- Ethernet connection with Modbus TCP
- Multifunction footpedal input
- User friendly interface
- Very robust construction (Aluminium)
- Table or panel mounting

Large touchscreen 7" protected against liquids IP65



Output cable USB to USB (804.1210) or RS232 (925.5609)



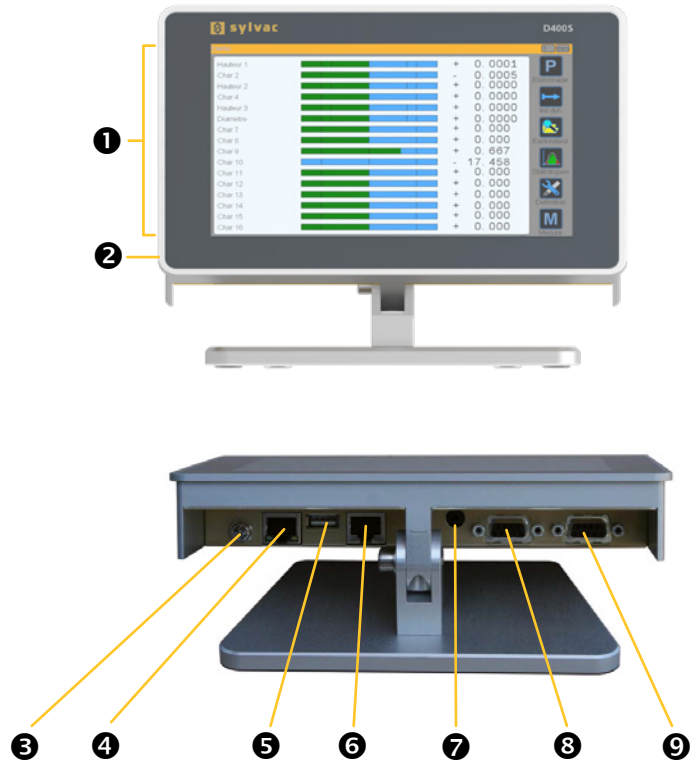
USB

# Digital display

# D400S

## INTERFACE | HARDWARE

- ❶ Customizable display interface
- ❷ Aluminium body
- ❸ 12VDC/30VDC Power supply
- ❹ RJ-45 Ethernet TCP4
- ❺ USB host (for usb key)
- ❻ USB device (virtual keyboard)
- ❼ Footswitch
- ❽ M-bus
- ❾ RS232



## TECHNICAL SPECIFICATIONS

		804.2400
Model		D400S
Overall dimensions	mm	200x143x151.6
Weight	kg	1.3
Case		Aluminium
Protection rating according to IEC 60529		IP65 (front face)
Output data		USB / RS232
Programmable by PC		●

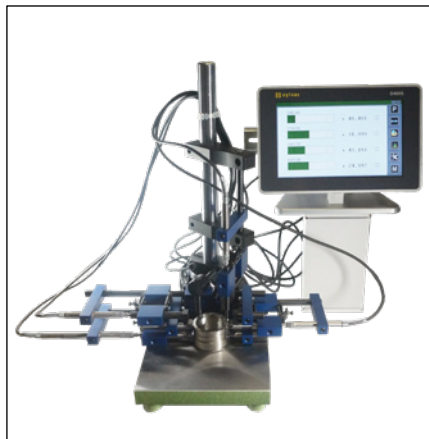
## BASIC INSTRUMENT

- Unit according to technical specifications
- Charging unit
- Instruction manual

## APPLICATIONS



Probes connection through M-BUS inputs



Inductive probes connection on a jig



Probes and indicators connection through M-BUS inputs

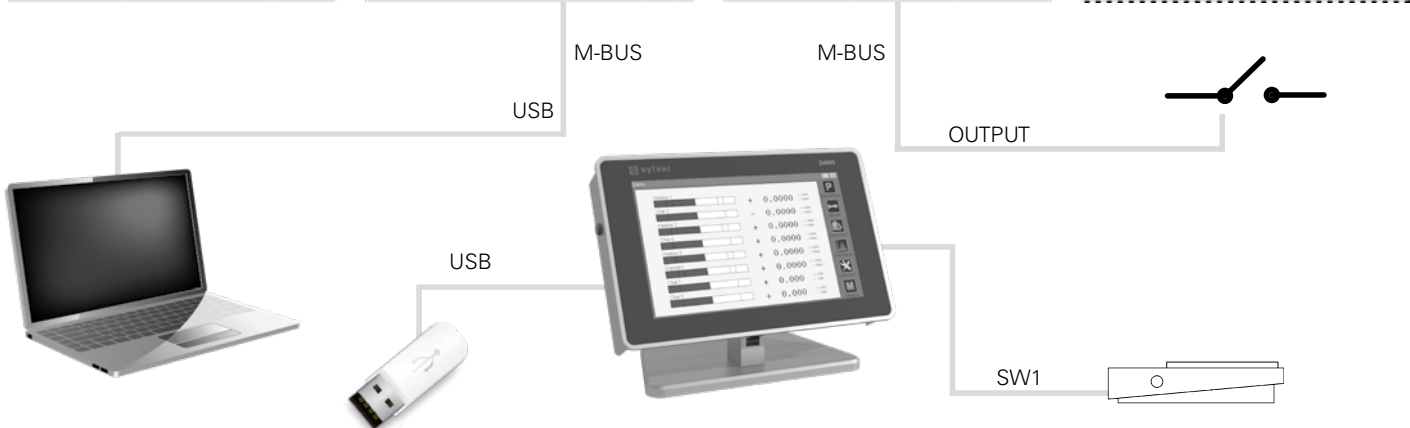
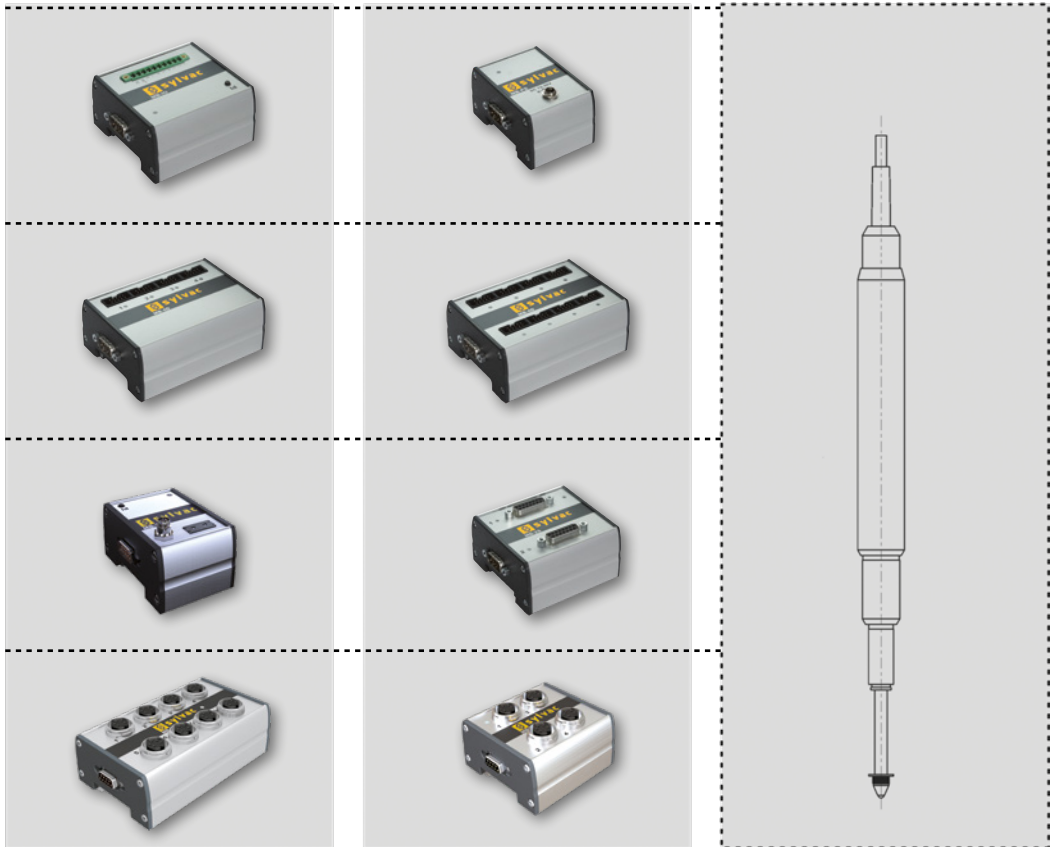
# Digital display

# D400S

## POSSIBILITIES OF CONNECTION WITH ACCESSORIES

MAX.99

Compatible with all M-BUS modules, except MB-RS



H

# Multiplexer unit

# D302 / D304

## DESCRIPTION

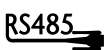
- Multiplexing unit with 2 or 4 inputs for Sylvac probes P2 à P25
- Dynamic measurement (10 à 20 meas./Sec. according to resolution)
- Perfect solution for multi-gauging system
- Analog output for PLC connection
- Standalone use possible



Output cable RS485 to RS485 (925.5609)

Output cable mini-USB to USB (926.6001)

H

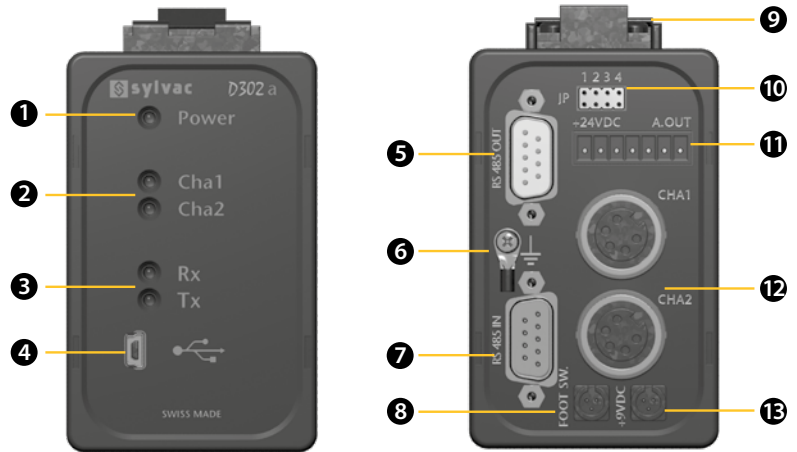


# Multiplexer unit

# D302 / D304

## HARDWARE DESCRIPTION

- 1 LED Power
- 2 LED channel
- 3 LED RS 485 activity
- 4 USB port for PC connection
- 5 RS 485 output
- 6 Ground connector
- 7 RS 485 input
- 8 External connector
- 9 Standard clamping (DIN 35mm)
- 10 Jumpers
- 11 Analog output / 24 VDC (only version a)
- 12 Probes input
- 13 9V power supply input



## TECHNICAL SPECIFICATIONS

		804.1302	804.1303	804.1304	804.1305
Modele		D302	D302a	D304	D304a
Max error	µm	P2 : 1.5 / P5 : 1.6 / P10 : 1.6 / P25 : 1.9			
Max. Error <sup>1)</sup>	µm	P2 : 0.5 / P5 : 0.6 / P10 : 0.6 / P25 : 0.8			
Repeatability	µm	P2 : 0.2 / P5 : 0.2 / P10 : 0.2 / P25 : 0.2			
Overall dimensions	mm	95 x 88 x 55		95 x 88 x 77	
Weight	kg	0.3			
Case		Aluminium profil / plastic TA 6			
Protection rating according to IEC 60529		IP40			
Output data		USB / RS 485			
Programmable by PC		•			
Analog output signal			-10V ... +10V		-10V ... +10V

## BASIC INSTRUMENT

- Unit according to technical specifications
- Feet (pair)
- RS232/RS485 cable
- Charging unit according to country (904.4200)
- Instruction manual

# Multiplexer unit

# M-Bus

## DESCRIPTION

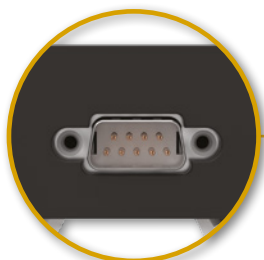
- Multiplexer units allowing to connect different kind and brands of instruments to our D300S V2 and D400S display units
- Possibility to connect and mix different brands together
- RS485 based protocol
- The different units can be mounted on a DIN rail
- Robust construction



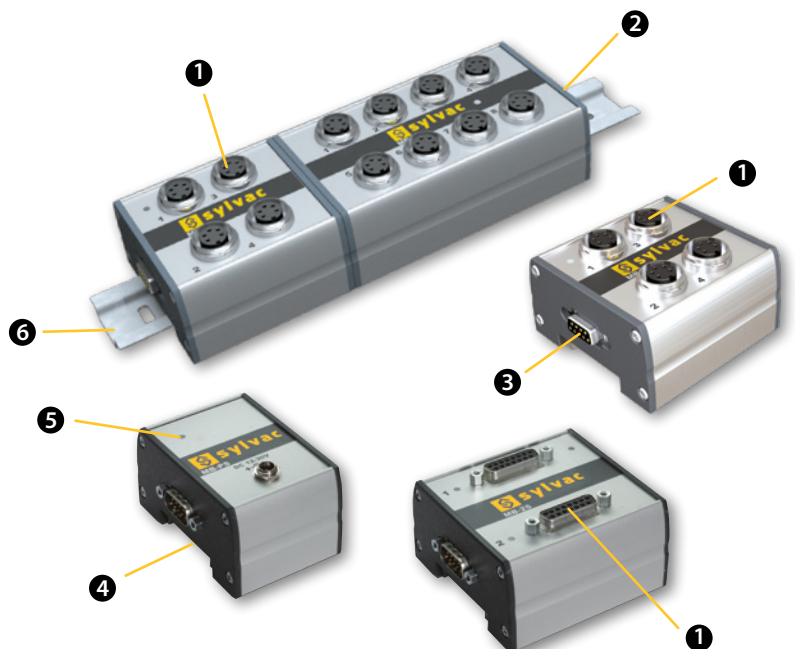
RS485 →

## HARDWARE DESCRIPTION

- ❶ Probes input
- ❷ M-Bus input
- ❸ M-Bus output
- ❹ DIN mounting groove
- ❺ LED / Power module
- ❻ DIN rail



Output cable RS485 to RS485 (925.5609)



# Multiplexer unit

# M-Bus

## TECHNICAL SPECIFICATIONS

	804.2104	804.2108	804.2122	804.2114	804.2118	804.2105
Modele	MB-4C	MB-8i	MB-2S	MB-4D	MB-8D	MB-4P
Instrument type	Sylvac capacitive probes	Inductive <sup>1)</sup>	Heidenhain probes (11µA/1VPP)	Digimatic		Probes P12D
Compatibility	D300S & D400S					
Dimensions (L x h x w) mm	107x42x74	131x44x74	82x43x74	107x39x74	107x39x74	107x42x74
Weight kg	0.2	0.3	0.2	0.2	0.2	0.2
Inputs	4	8	2	4	8	4
Case	Anodized aluminium profile					
Output data	RS 485					

<sup>1)</sup> Half-bridge: see [www.sylvac.ch](http://www.sylvac.ch) for information on compatibility

	804.2130	804.2140	804.2160	804.2170	804.2180	804.2190
Modele	MB-IO	MB-PS	MB-RS	MB-TP	MB-BT	MB-AG
Instrument type	PLC I/O	Power-Supply	Computer	Temperature sensor input PT100 and Thermocouple	Instruments with Bluetooth® wireless technology	Plug gauges and Air gauges
Compatibility	D300S & D400S			D400S		
Dimensions (L x h x w) mm	82x39x74	52x42x74	82x39x74	52x51x74	52x39x74	52x64x74
Weight kg	0.2	0.2	0.2	0.1	0.1	0.15
Inputs	8	12-30 VDC	254	1 / 1	8	1
Case	Anodized aluminium profile					
Output data	RS 485					



## BASIC INSTRUMENT

- M-Bus module according to technical specifications
- Instruction manual



# Multiplexer unit

## APPLICATIONS



Probes connection through M-BUS inputs



Probes connection on PC through MB-RS



Probes and indicators connection through M-BUS inputs



Probes connection on a D300S through D302 multiplexer units

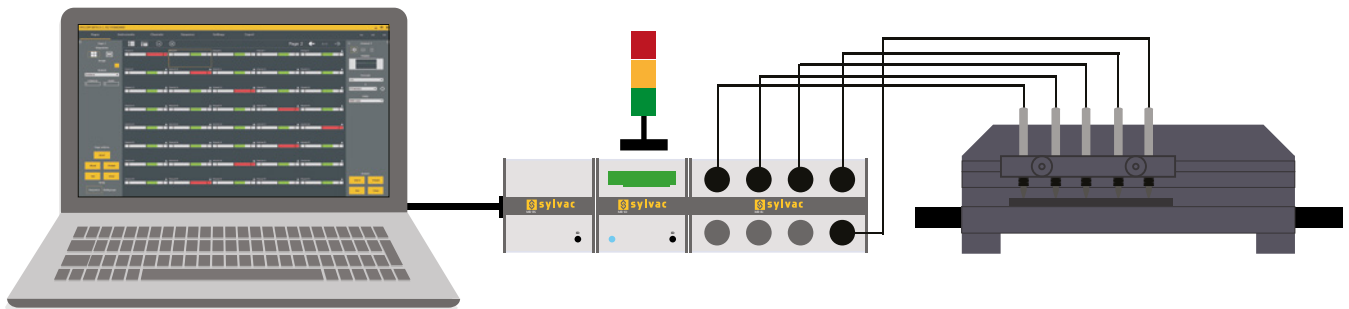


Digimatic instruments connected to a MB-4D



Probes connected to a MB-8i





H



Connection of probes via Mbus on Sylcom

# Display units

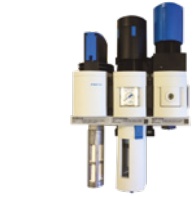
## ACCESSORIES

		D50S	D62S	D70S	D70H	D70I	D70A	D200S	D300S	D302 D304	D400S	P12D
	<b>904.1108</b> D108-additional 8 input unit for probes											
	<b>904.1112</b> D110V-control unit with 16 vacuum outputs							•	•			
	<b>904.4200</b> Charging set 100-240V / 9V	•	•					•		•		
	<b>904.4205</b> EUR cable, included in 904.4200	•	•					•		•		
	<b>904.4204</b> UK cable, included in 904.4200	•	•					•		•		
	<b>904.4203</b> USA/JPN cable, included in 904.4200	•	•					•		•		
	<b>904.4201</b> CH cable, included in 904.4200	•	•					•		•		
	<b>804.4000</b> Charging set 100-240V / 24V								•			
	<b>904.4001</b> EUR cable included in 804.4000								•			
	<b>904.4003</b> UK cable included in 804.4000								•			
	<b>904.4002</b> USA/JPN cable included in 804.4000								•			
	<b>804.4010</b> Charging set 100-240V / 24V											
	<b>804.4011</b> EUR cable included in 804.4010											
	<b>804.4013</b> UK cable included in 804.4010										•	
	<b>804.4012</b> USA/JPN cable included in 804.4010											
	<b>904.4101</b> External contact (footpedal)	•	•	•				•	•	•	•	
	<b>904.4102</b> Footpedal (jack)				•	•	•					
	<b>926.7022</b> Footpedal Smart								• <sup>1)</sup>			
	<b>904.6001</b> Dust cover								•			
	<b>804.1211</b> Connection cable D200S - D110/V							•				
	<b>804.2104</b> MB-4C								•		•	
	<b>804.2108</b> MB-8i								•		•	
	<b>804.2122</b> MB-2S								•		•	
	<b>804.2114/18</b> MB-4D & MB-8D								•		•	
	<b>804.2130</b> MB-IO								•		•	
	<b>804.2140</b> MB-PS								•		•	
	<b>804.2160</b> MB-RS								•		•	
	<b>804.2170</b> MB-TP								•		•	
	<b>804.2180</b> MB-BT										•	
	<b>804.2190</b> MB-AG										•	
	<b>804.2105</b> MB-4P											•

<sup>1)</sup> Dongle Smart required

# Display units

## ACCESSORIES



		D50S	D70S	D70H	D70I	D70A	D200S	D300S	D302 D304	D400S	MB-AG
<b>804.2203</b>	Air kit					•					
<b>804.2202</b>	Bracket for panel mounting					•					
<b>804.4101</b>	Restrictor Ø 0.3mm					•					•
<b>804.4102</b>	Restrictor Ø 0.4mm					•					•
<b>804.4103</b>	Restrictor Ø 0.5mm					•					•
<b>804.4104</b>	Restrictor Ø 0.7mm					•					•

# MEASURING BENCH PS15/16/17

---

Welcome to our small world!

Miniaturization of manufactured goods generates challenges for the control of smaller and smaller components with high requirements on accuracy. Conventional measuring instruments and even latest optical and non-contact equipment sometimes do not allow achieving the expected results. Sylvac has a long experience of all these particular applications, acquired in contact of our very demanding Swiss watchmaker's customers.

Our PS bench table series was designed to meet high expectations and to offer solutions even when it seems to be impossible! Whether internal or external measurement of small dimensions, Sylvac is ready for the challenge; If our wide selection of instruments, tables, anvils and accessories is not sufficient, we will design and manufacture the measuring solution according to your needs.

Hundreds of users around the world cannot work without our measuring bench tables PS. Let us be your partner for the measurement of small components.

**Integrated digital display or values displayed on an external display unit.**

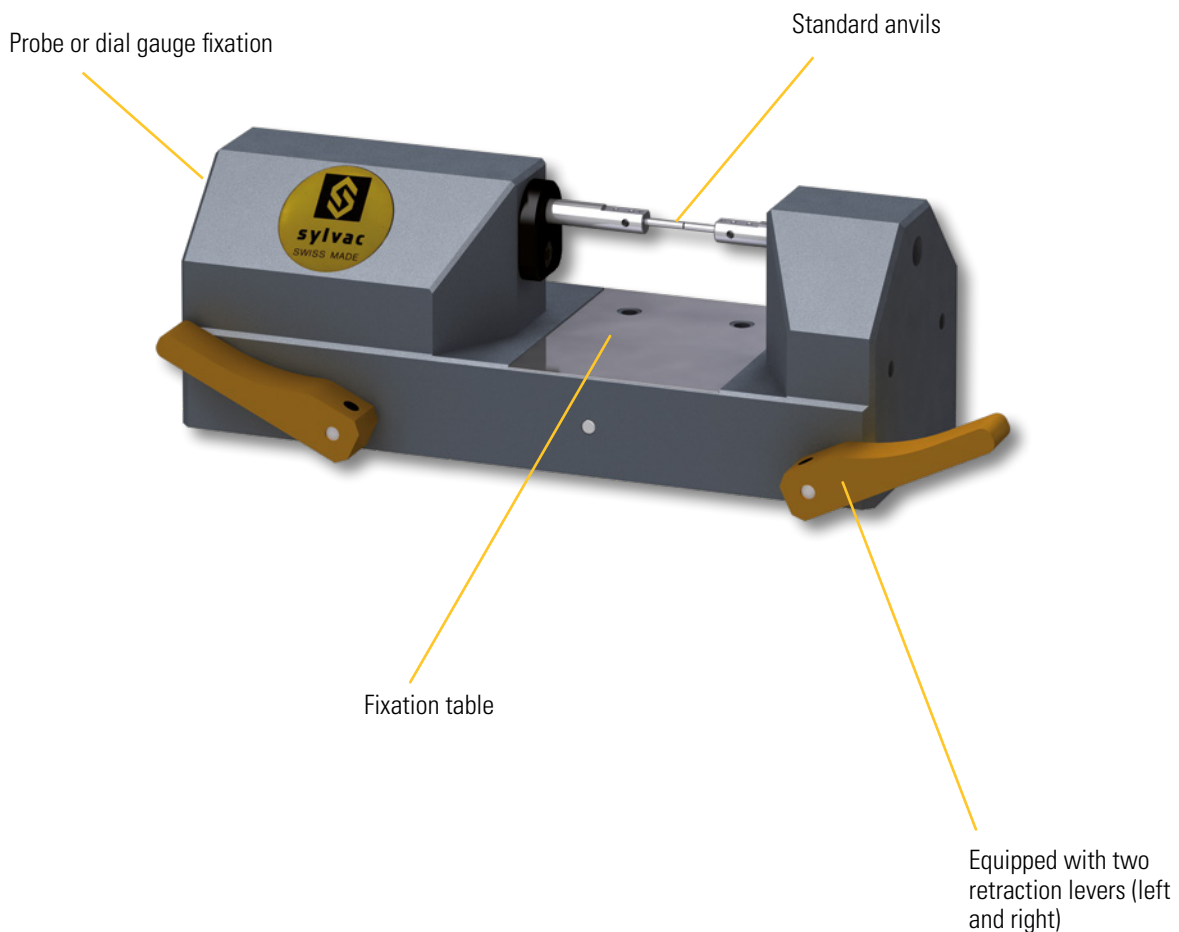
**Large selection of anvils, tables and accessories available**

**Adjustable measuring force**



## DESCRIPTION

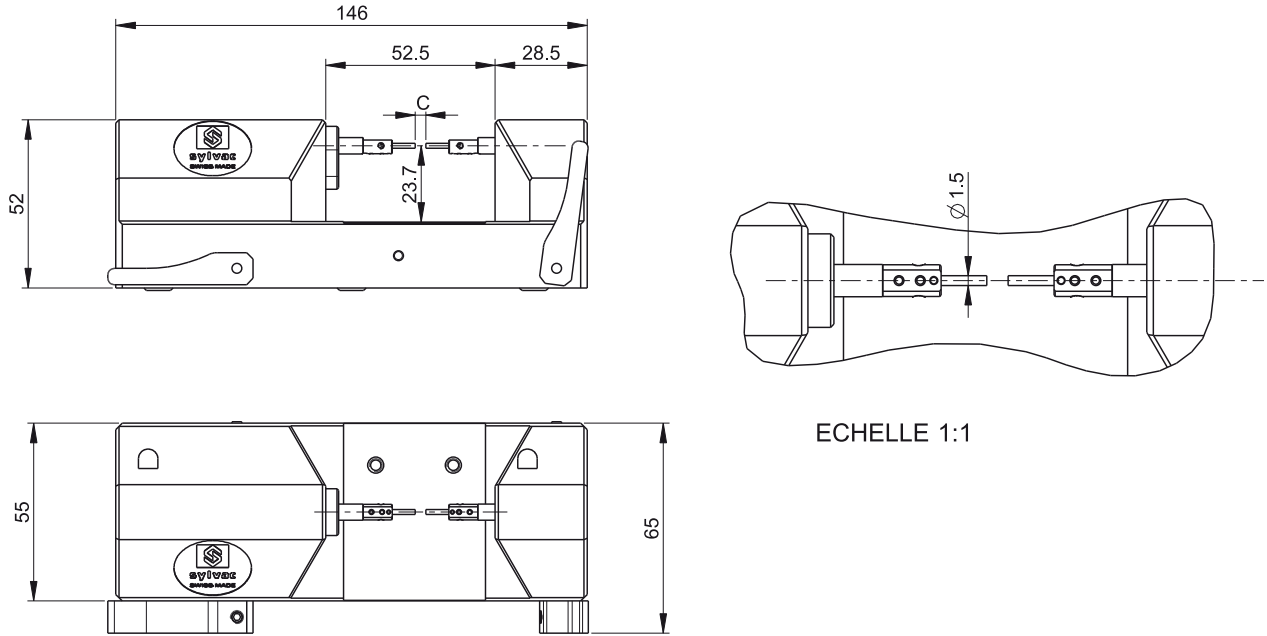
- Small horizontal bench table designed to easily and quickly check small parts up to 10 mm
- **Measuring spindle guided by linear ball bearing**
- The measured value will be displayed either by a Sylvac digital dial gauge range 12.5mm, up to 0.1  $\mu\text{m}$  resolution or by a Sylvac measuring probe P10 (P10L) linked to a digital display unit. Using a pair display unit / measuring probe an overall accuracy of 0.6  $\mu\text{m}$  and a repeatability of 0.2  $\mu\text{m}$  can be reached.
- This bench table can be equipped with different kind of tables as well as with several types of anvils of any shapes
- Standard spindle  $\varnothing$  1.5 mm (908.2175)
- Compatible with Sylvac  $\varnothing$  1.5 mm and Cary type spindle



# Bench table

# PS15

## DIMENSIONAL DRAWINGS



## TECHNICAL SPECIFICATIONS

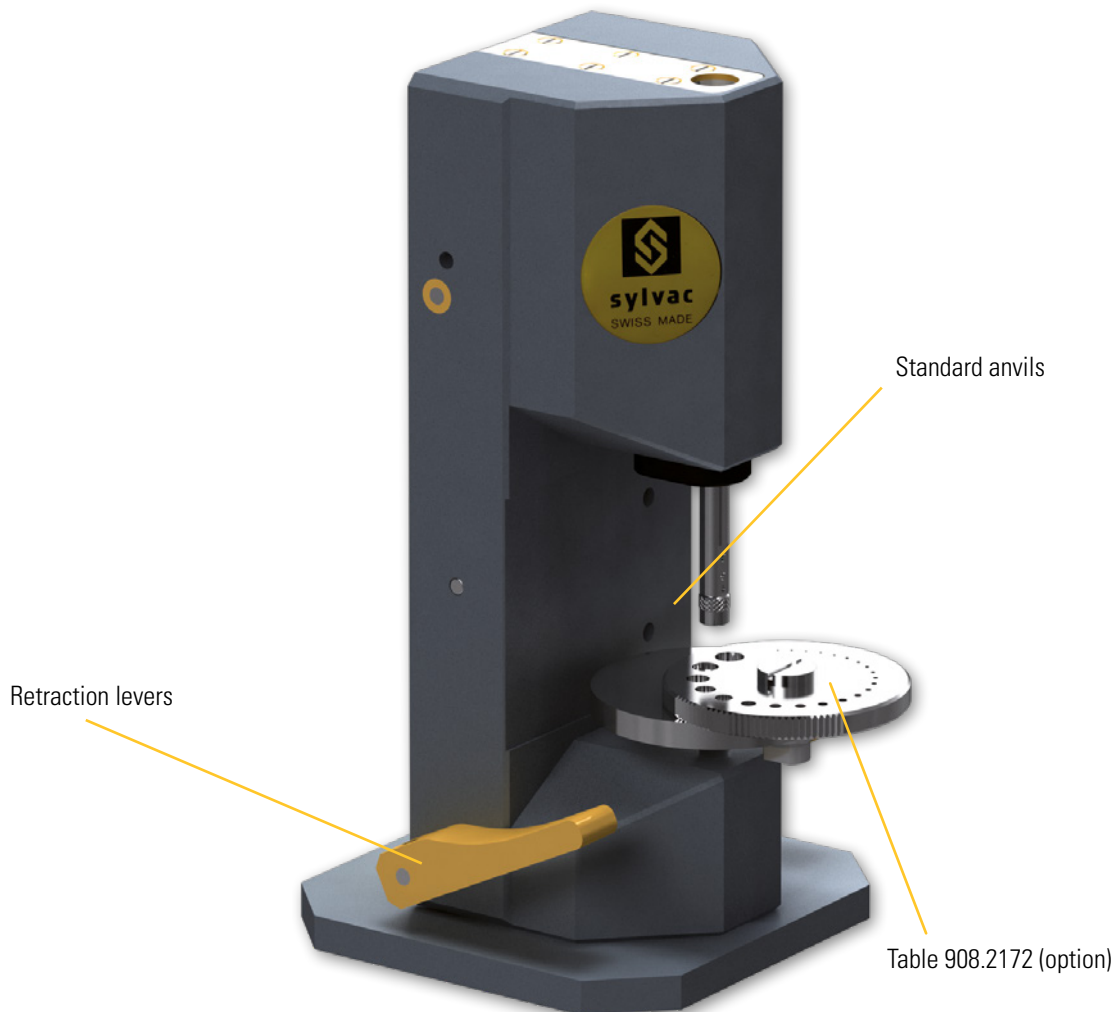
		808.1215
Type		PS15BH
Max. Capacity C	mm	20
Measuring range	mm	10
Adjustable measuring force	N	0.3 - 1.0
Max. error	µm	Probe P10 : 0.6µm / Dial gauge S_Dial : 1.6 - 3µm
Weight	kg	1.8
Measuring direction		Horizontal
Anvils fixation		Ø 1.5 mm
Cary Compatibility		•

## BASIC INSTRUMENT

- Instrument according to technical specifications
- Instruction manual
- Measuring anvils Ø 1.5 mm (908.2175)
- Allen keys 2 and 2.5 mm
- Dust cover

## DESCRIPTION

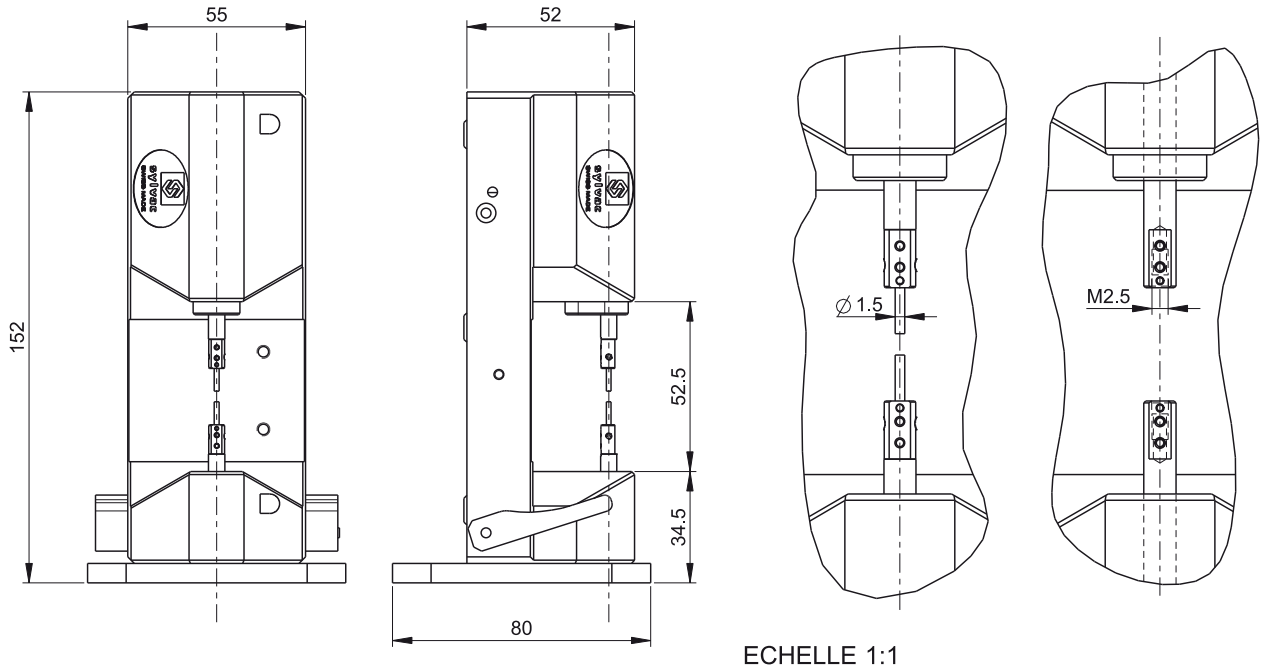
- Small vertical bench table designed to easily and quickly check small parts up to 20 mm
- **Measuring spindle guided by linear ball bearing**
- The measured value will be displayed either by a Sylvac digital dial gauge range 12.5mm, up to 0.0001mm resolution or by a Sylvac measuring probe P10 (P10L) linked to a digital display unit. Using a pair display unit / measuring probe an overall accuracy of 0.6  $\mu\text{m}$  and a repeatability of 0.2  $\mu\text{m}$  can be reached.
- This bench table can be equipped with different kind of tables XYZ as well as with several types of anvils of any shapes



# Bench table

# PS15

## DIMENSIONAL DRAWINGS



## TECHNICAL SPECIFICATIONS

		808.1216	808.1218
Type		PS15BV	PS15BV +
Measuring scale	mm	10	10
Adjustable measuring force	N	0.3 - 1.0	0.3 - 1.0
Max. error	µm	Probe P10 : 0.6µm / Dial gauge S_Dial : 1.6 - 3µm	
Weight	kg	1.8	1.8
Measuring direction		Vertical	Vertical
Anvils fixation		M2.5	Ø 1.5 mm
Cary Compatibility		●	●

## BASIC INSTRUMENT

- Instrument according to technical specifications
- Instruction manual
- Measuring anvils Ø 1.5 mm or Ø 5 mm (depending on model)
- Allen keys 2 and 2.5 mm
- Dust cover



# Bench table

# PS15

## TABLES, PLATES AND LAPPING



N°	Designation	PS15BH	PS15BV / BV+
908.2170	Supporting table adjustable in XYZ	•	
908.2160	Supporting table with fine adjustment XYZ	•	
908.2161	Supporting table with fine adjustment Z	•	
908.2166	Floating table	•	
908.2172	Rotating table with 25 bores		•
908.2165	Plain table only		•
908.2162	Cylindrical plate with 25 bores from 0.2 to 5 mm		•

## ACCESSORIES



N°	Designation	PS15BH	PS15BV / BV+
908.2198	Replacement lapping stone for 908.2199	•	
908.2199	Lapping device (3 stones and lapping liquid included)	•	

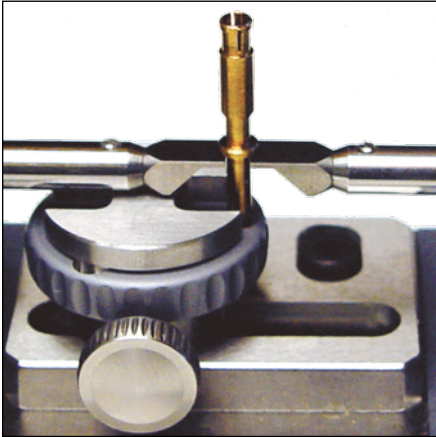
## ANVILS

Compatible anvils list at the end of this chapter.

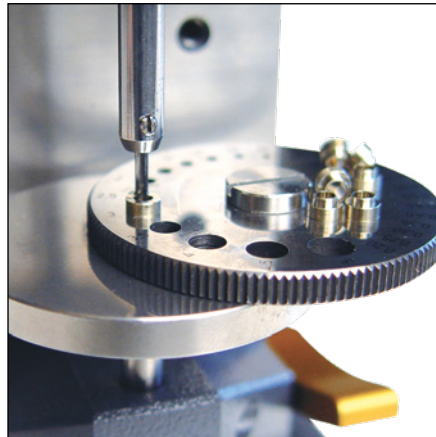
# Bench table

# PS15

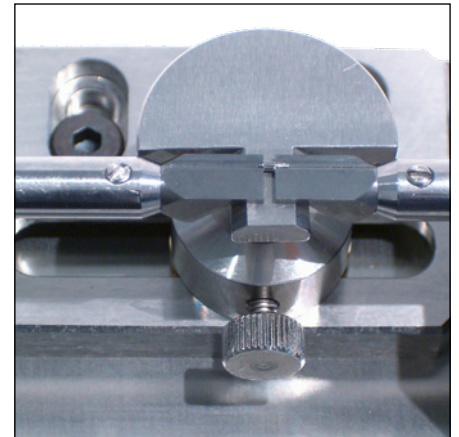
## APPLICATIONS



XYZ table with plate with fine adjustment.



Measurement of small parts with PS15V+and rotation 25 holes support



Special anvils

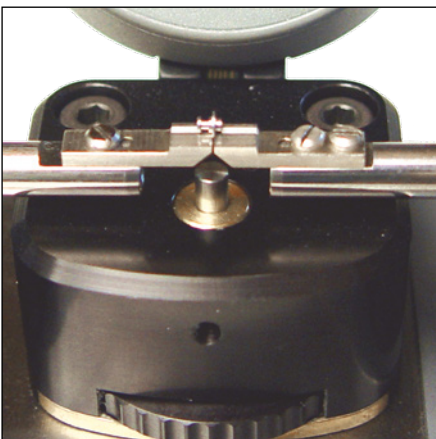
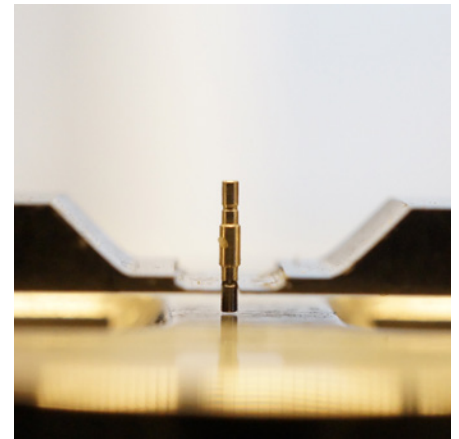


Table with plate  $\varnothing$  3 mm and fine adjustment. Indication of the height integrated.



Multi-functional measuring station



Gear measuring anvils. On request

# Bench table

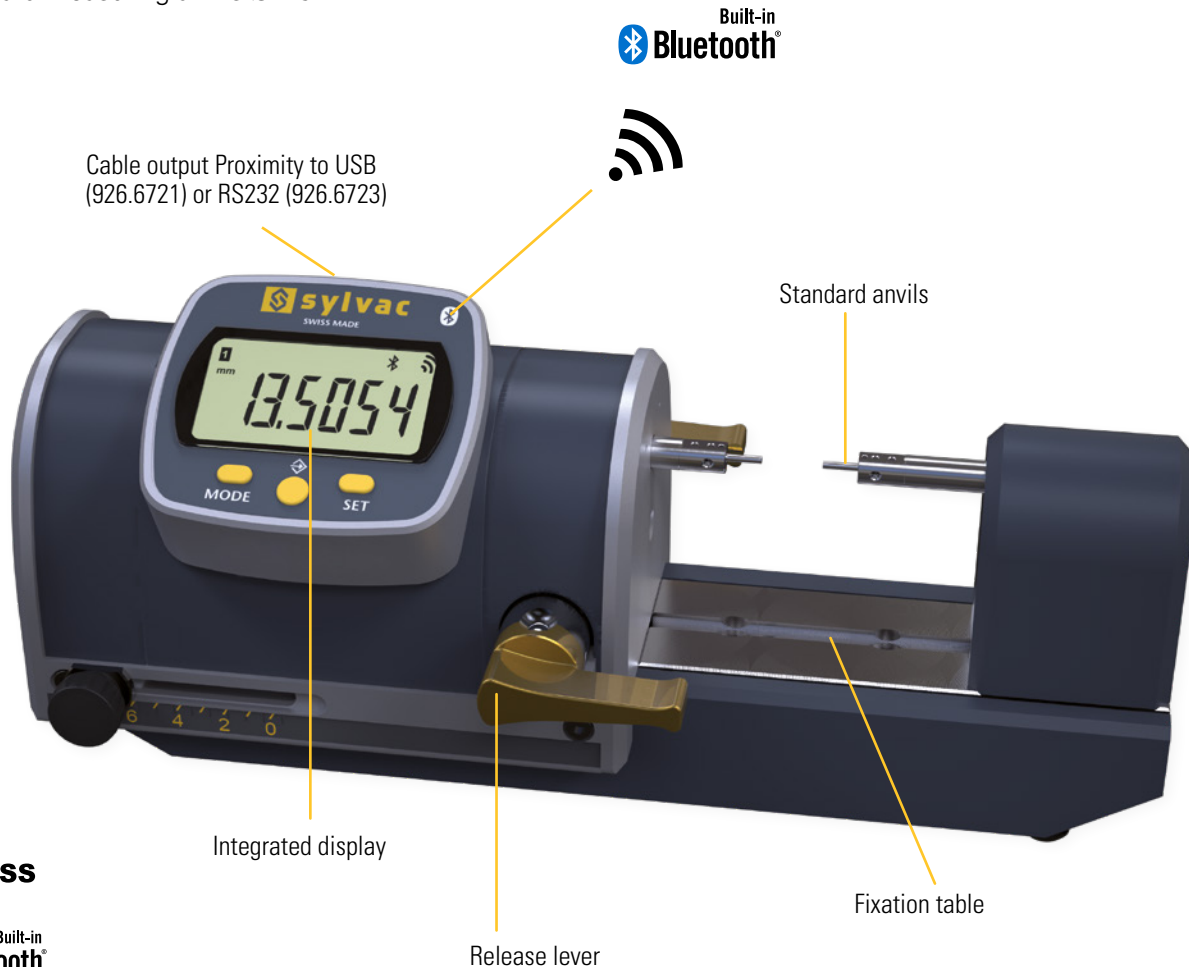
# PS16 V2

## DESCRIPTION

SMART

- **Integrated Bluetooth® Wireless technology**

- Brand new design with integrated display resolution 0.1µm
- The bench tables PS16 V2 are designed to check dimensions up to 50 mm
- These bench tables can be equipped with different kind of tables to fit your needs as well as with several types of anvils of any shapes
- A ball bearing, as well as many other features and accessories make these tables a must for your workshop or your inspection room
- Adjustable measuring force
- Led tolerances status
- Data output USB and Proximity
- Standard measuring anvils Ø 1.5 mm



**SWISS MADE**

Built-in Bluetooth

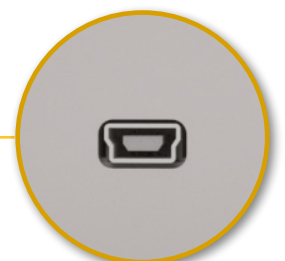
USB

PROXIMITY

WATER RESISTANT

**IP67**

Cable output mini-USB to USB (926.6001)

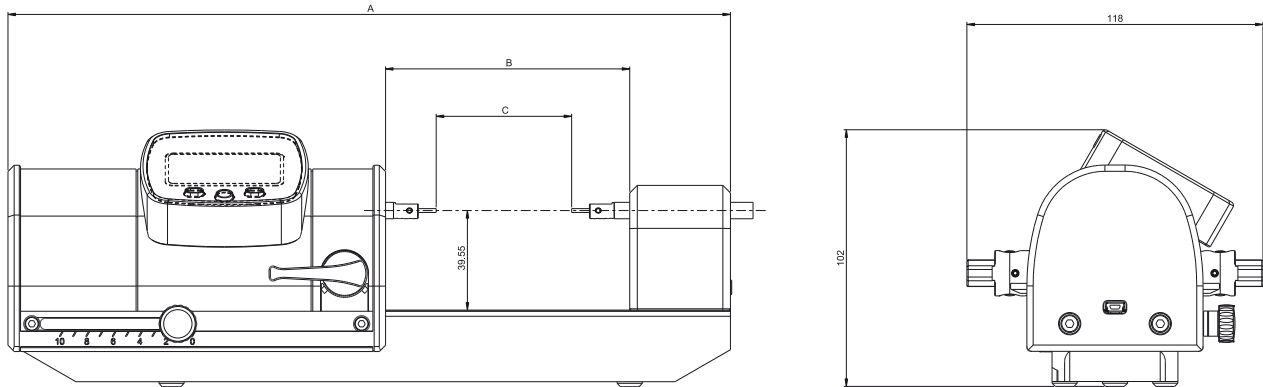


# Bench table

# PS16 V2

## DIMENSIONAL DRAWINGS

SMART



## TECHNICAL SPECIFICATIONS

External and internal measurement		808.1231	808.1232
Max. Capacity C	mm	25	50
Max. Error	µm	1.5	2.0
Repeatability	µm	0.2	0.2
Resolution	µm	0.1	0.1
Measuring force (Adjustable)	N	0.1 - 0.6 <sup>1)</sup>	
Weight	kg	3.6	4.2
Output data		Bluetooth® wireless technology* / RS232 / USB	
Anvils clamping dimension	mm	Ø 1.5	
Cary compatibility		●	
A	mm	232	287
B	mm	66	97

<sup>1)</sup> ± 20%

## BASIC INSTRUMENT

- Instrument according to technical specifications
- Instruction manual
- Lithium battery CR2477 included
- Adapter for Lithium battery CR2032
- Calibration certificate
- Table not included
- Anvils Ø 1.5mm (908.2175)
- Dust cover

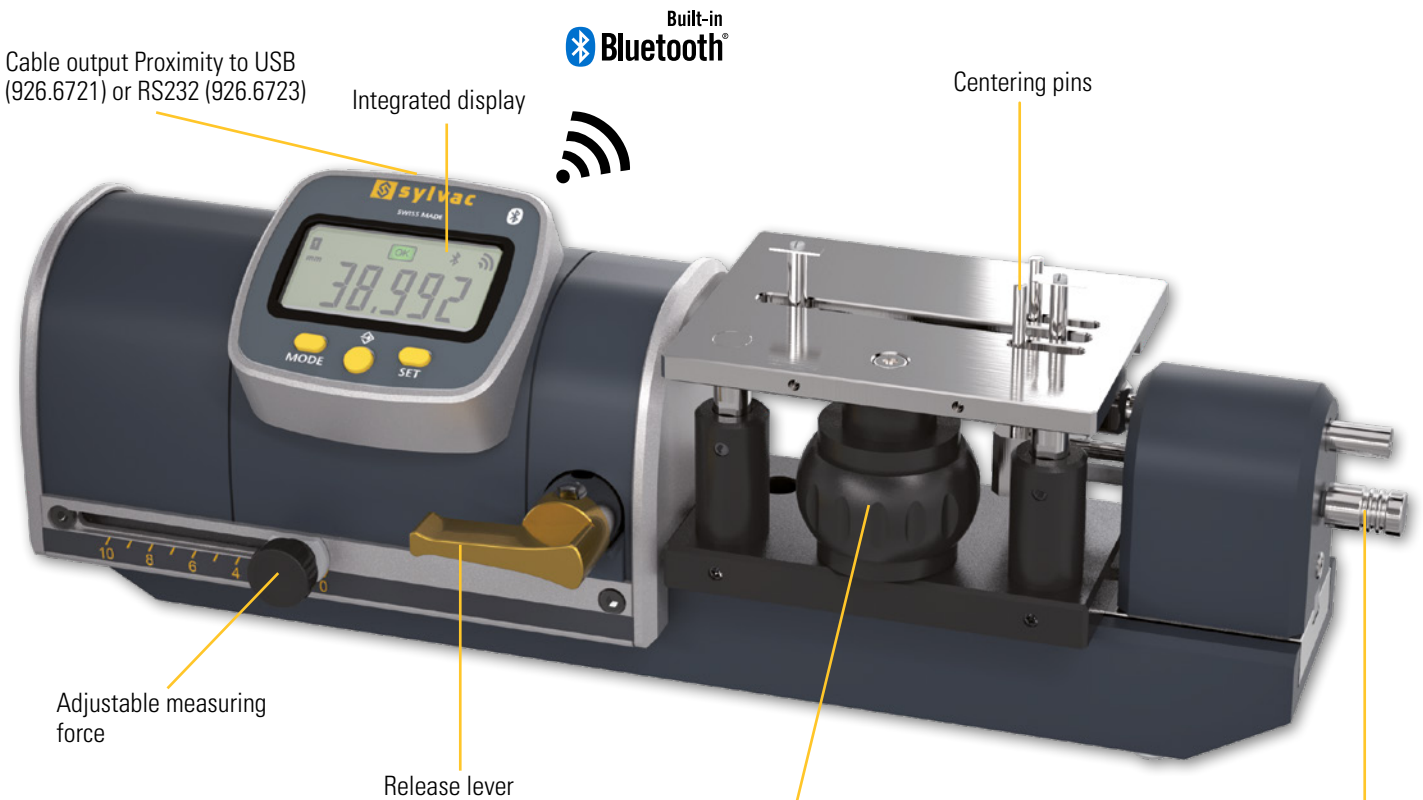
# Bench table

# PS16 V2 LV

## DESCRIPTION

SMART

- LV version are designed to check internal dimensions up to 70 mm (depends on model)
- **Integrated Bluetooth® Wireless technology**
- Brand new design with integrated display resolution 0.1µm
- 2 points measurement with centering pins
- Table height adjustable up to 20mm
- Adjustable measuring force
- Led tolerances status
- Data output USB and Proximity
- Standard measuring anvils 0.4 mm



**SWISS MADE**

Built-in Bluetooth

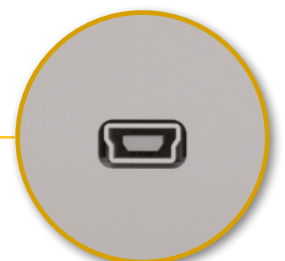
USB

PROXIMITY

WATER RESISTANT

IP67

Cable output mini-USB to USB (926.6001)

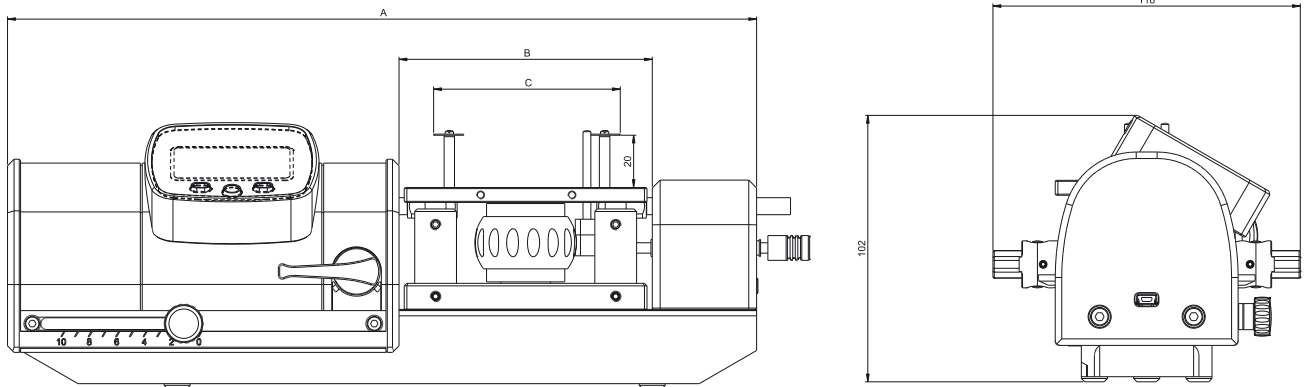


# Bench table

# PS16 V2 LV

## DIMENSIONAL DRAWINGS

SMART



## TECHNICAL SPECIFICATIONS

Internal measurement		808.1233	808.1234
Max. Capacity C	mm	Ø 12 - 62	Ø 24 - 70
Max. Error	µm	6.0	6.0
Repeatability	µm	1.5	1.5
Resolution	µm	0.1	0.1
Measuring force (Adjustable)	N	0.1 - 0.6 <sup>1)</sup>	
Weight	kg	5.1	5.1
Output data		Bluetooth® wireless technology* / RS232 / USB	
Anvils clamping dimension	mm	Ø 1.5	

<sup>1)</sup> ± 20%

## BASIC INSTRUMENT

- Instrument according to technical specifications
- Lithium battery CR2477 included
- Adapter for Lithium battery CR2032
- Instruction manual
- Calibration certificate
- Anvils 0.4mm and LVS table included
- Dust cover

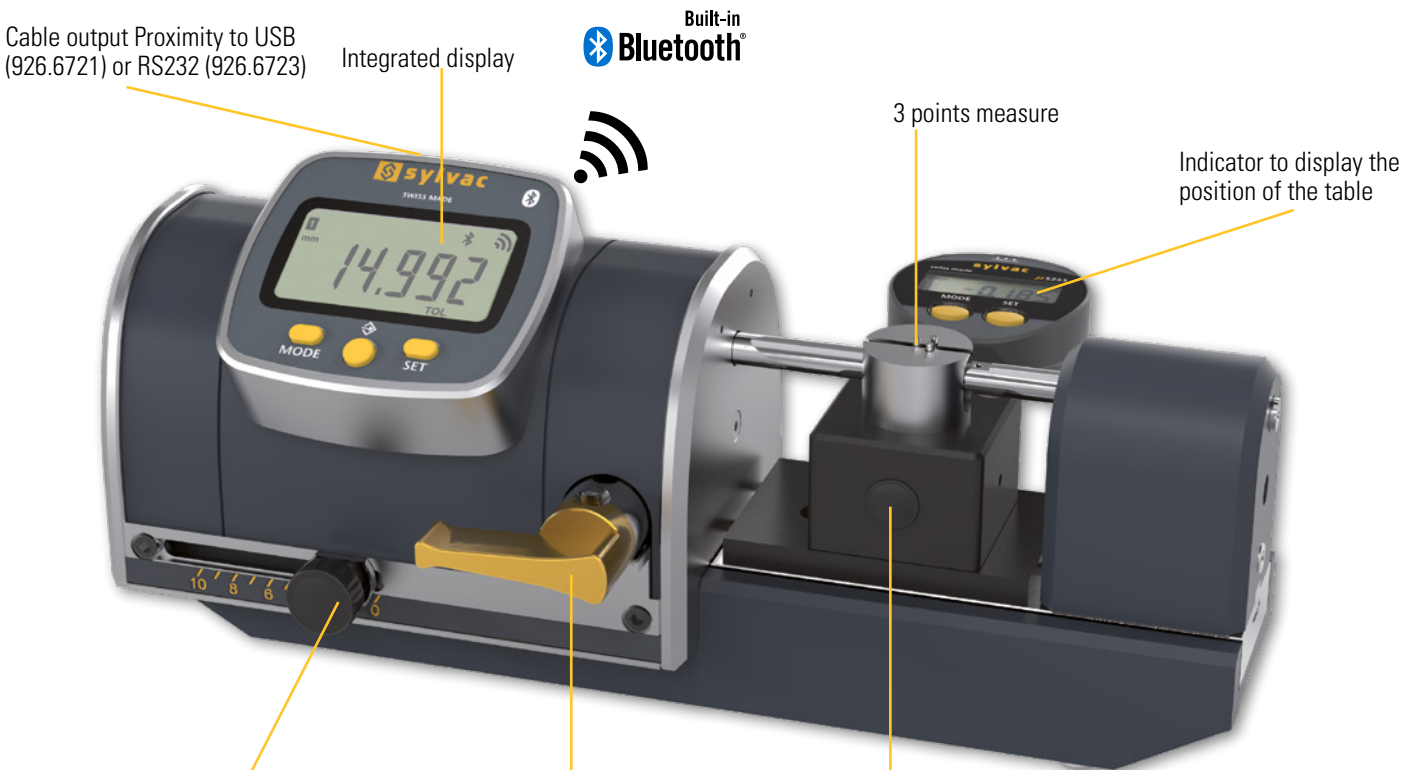
# Bench table

# PS16 V2 3-Points

## DESCRIPTION

SMART

- 3 points version are designed to check internal dimensions of 0.8mm up to 12.5mm
- **Integrated Bluetooth® Wireless technology**
- Customized version based on the components to measure available on request (provide drawing)
- 3-points measurement with exact calculation of the diameter by electric function
- Calibration with two setting rings corresponding to the diameters MIN and MAX of the measuring range
- Table with fine adjustment in Z axis (height), position adjustable on 0-3 mm wit indicator.
- Adjustable measuring force
- Led tolerances status
- Data output USB and Proximity
- Set including: bench table PS16VP25 with integrated probe, table, anvils and 2 setting rings



**SWISS MADE**

Built-in **Bluetooth**

**USB**

**PROXIMITY**

**WATER RESISTANT**

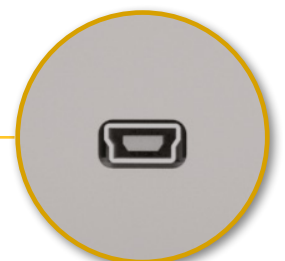
**IP67**

Adjustable measuring force

Release lever

3 points table

Cable output mini-USB to USB (926.6001)

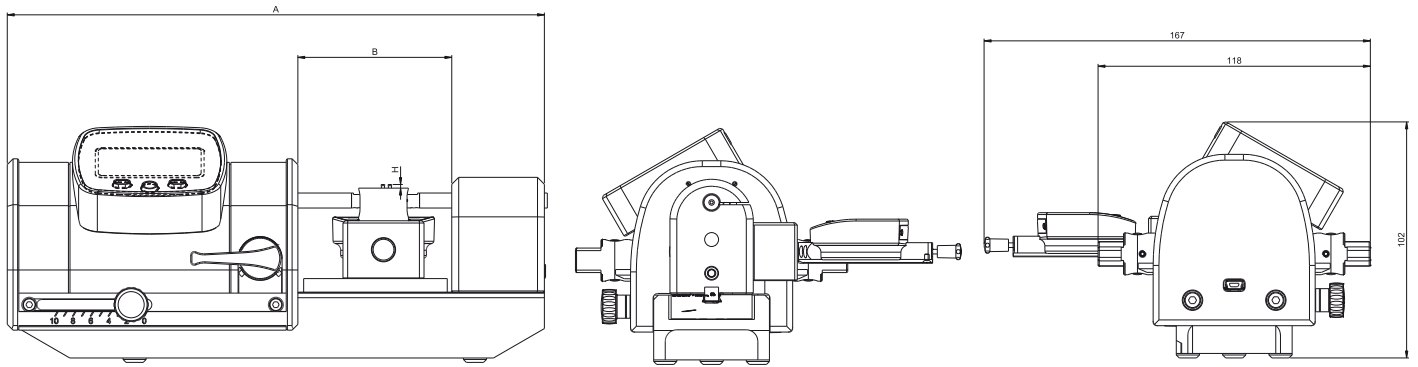


# Bench table

# PS16 V2 3-Points

## DIMENSIONAL DRAWINGS

SMART



## TECHNICAL SPECIFICATIONS

External and internal measurement		808.1335	808.1336	808.1337	808.1338	808.1339
Max. Capacity C	mm	Ø0.8-1.3	Ø1.3-2.5	Ø2.5-4.0	Ø4.0-8.0	Ø8.0-12.5
Max. Error	µm	1.5				
Repeatability	µm	0.2				
Resolution	µm	0.1				
Measuring force (Adjustable)	N	0.1 - 0.6 <sup>1)</sup>				
Weight	kg	4.1				
Data output		Bluetooth® wireless technology* / RS232 / USB				
Anvils clamping dimension	mm	Ø1.5				
A	mm	232				
B	mm	60				

<sup>1)</sup> ± 20%

## BASIC INSTRUMENT

- Instrument according to technical specifications
- Lithium battery CR2477 included
- Adapter for Lithium battery CR2032
- Instruction manual
- Calibration certificate
- Table and anvils according to technical specification
- Mini indicator and 2 setting rings included
- Dust cover





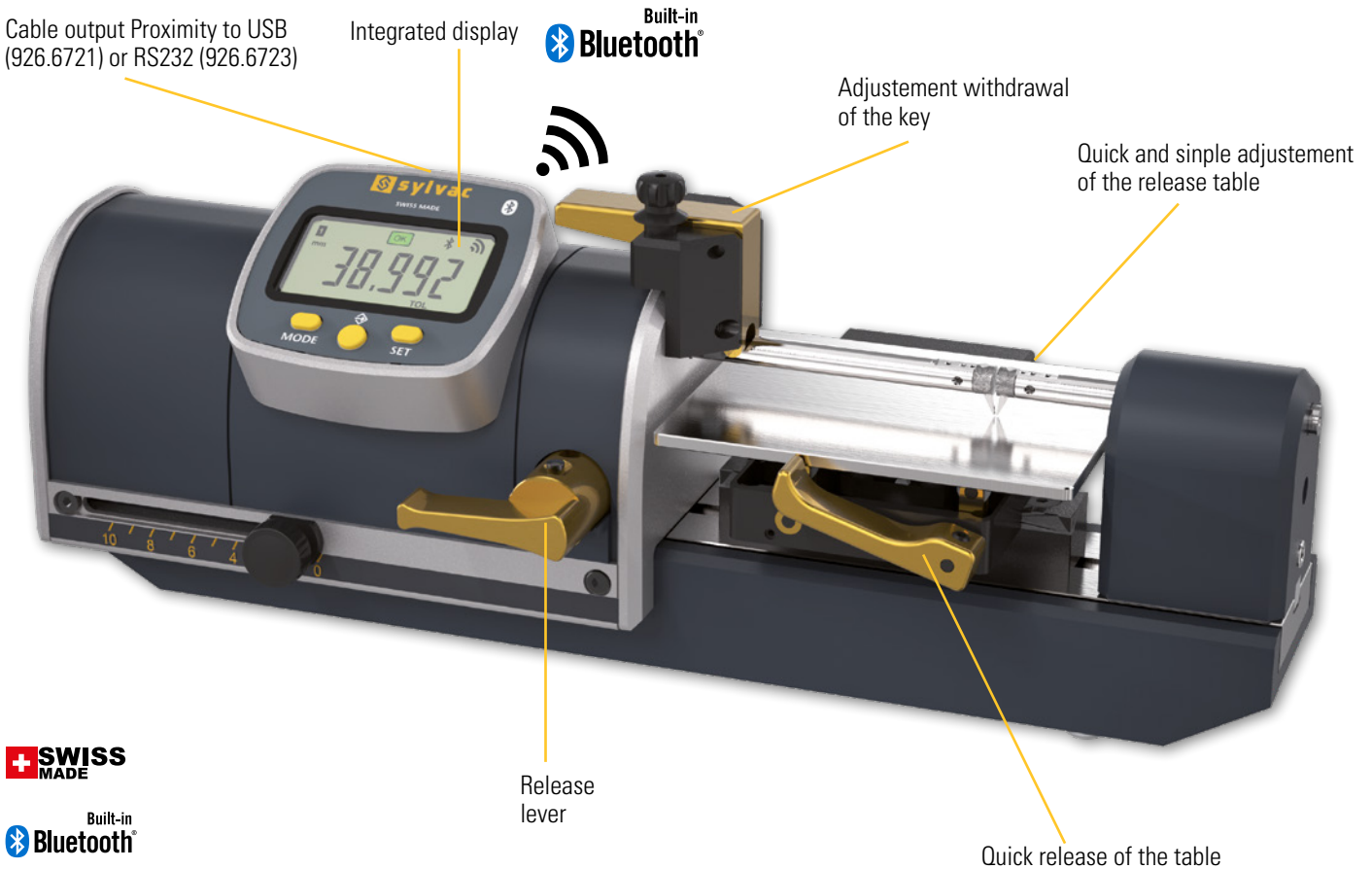
# Bench table

# PS16 V2 Goutte

## DESCRIPTION

SMART

- Goutte version designed to measure small pivot on watch plates (gouttes) or on parts requiring an important clearance to load the components on the table
- **Integrated Bluetooth® Wireless technology**
- Adjustable and retractable table with a lever allowing to place and bring the piece in measuring position
- Quick and simple adjustment of the release table and the withdrawal of the key
- Customized anvils manufactured based on the components to measure available on request (provide drawing)
- Adjustable measuring force
- Led tolerances status
- Data output USB and Proximity
- Set including: bench table, special table and anvils



**SWISS MADE**

Built-in **Bluetooth**

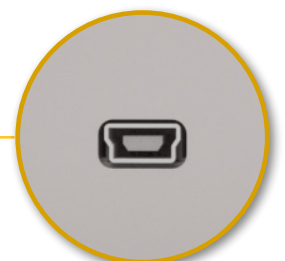
**USB**

**PROXIMITY**

**WATER RESISTANT**

**IP67**

Cable output mini-USB to USB (926.6001)

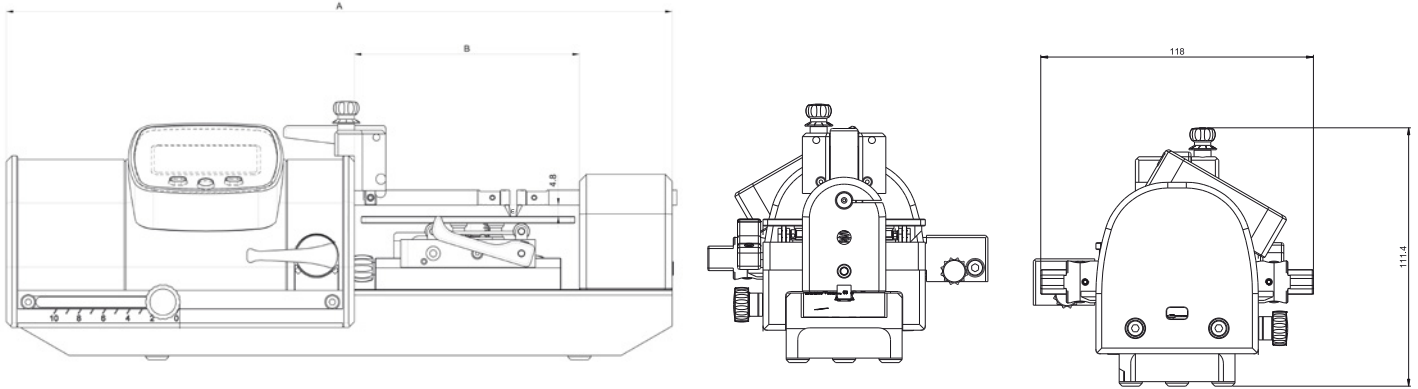


# Bench table

# PS16 V2 Goutte

## DIMENSIONAL DRAWINGS

SMART



## TECHNICAL SPECIFICATIONS

External measurement		808.5213	808.5413
Max. Capacity C	mm	25	50
Quick clearance	mm	7	7
Measuring range E	mm	3	3
Resolution	µm	0.1	0.1
Max. Error	µm	2.5	3.5
Repeatability	µm	0.5	0.5
Table dimensions (lxL)	mm	58x70	92x70
Measuring force (Adjustable)	N	0.1 - 0.6 <sup>1)</sup>	
Weight	kg	4.0	4.7
Output data		Bluetooth® wireless technology* / RS232 / USB	
A	mm	232	287
B	mm	66	97

<sup>1)</sup> ± 20%

## BASIC INSTRUMENT

- Instrument according to technical specifications
- Lithium battery CR2477 included
- Adapter for Lithium battery CR2032
- Instruction manual
- Calibration certificate
- Table and anvils according to specification
- Dust cover

# Bench table

# PS16 V2

## TABLES, PLATES AND LAPPING



N°	Designation	PS16 V2 25	PS16 V2 50	PS16 V2 LV	3 points	Goutte
808.2190	Supporting table XYZ	•	•			
808.2302	Supporting table adjustable XZ	•	•			

## ACCESSORIES



N°	Designation	PS16 V2 25	PS16 V2 50	PS16 V2 LV	3 points	Goutte
908.2194	Dial gauge holder (display height / depth)			•		
908.2198	Replacement lapping stone for 908.2199	•	•			•
908.2199	Lapping device (3 stones and lapping liquid included)	•	•			•

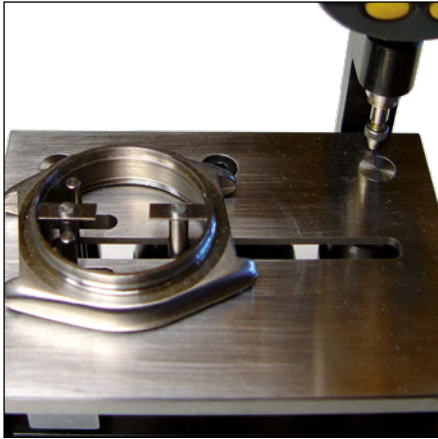
## ANVILS

Compatible anvils list at the end of this chapter.

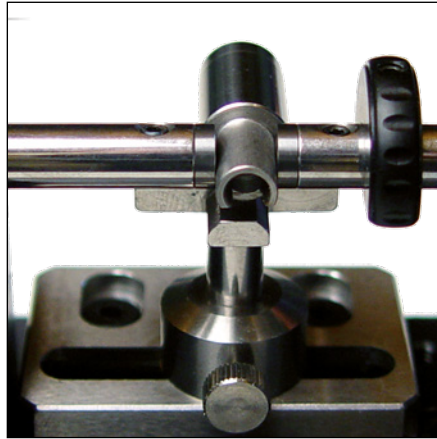
# Bench table

# PS16 V2

## APPLICATIONS



Internal measurement in 2 – points with auto-centering of the part on LVS 50



External measurement with anvils  $\varnothing$  6.5 and XYZ table

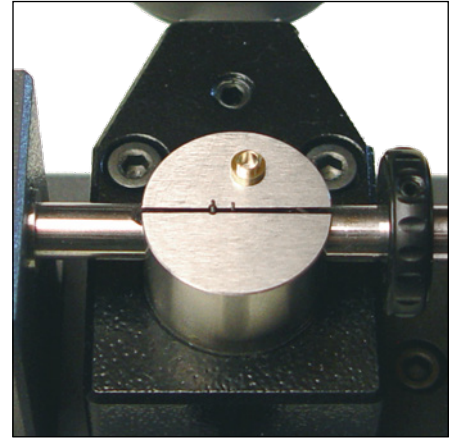


Table and anvils for internal measurement in 3 - points 1.3 - 2.5 mm

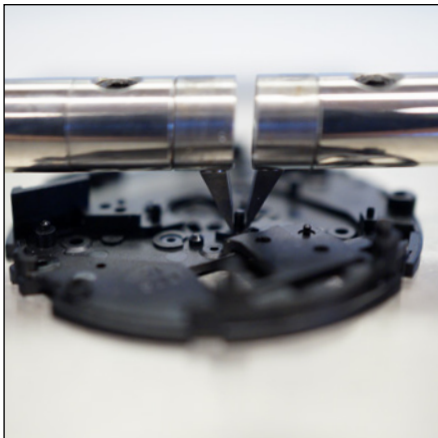
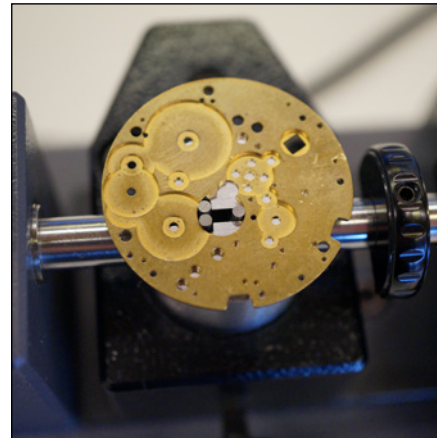


Table with adjustable plate (height). Different  $\varnothing$  plates available



3 – points internal measurement

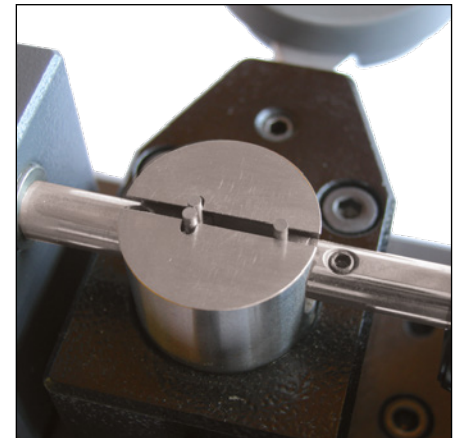


Table and anvils for internal measurement in 3 - points 2.5 - 4 mm

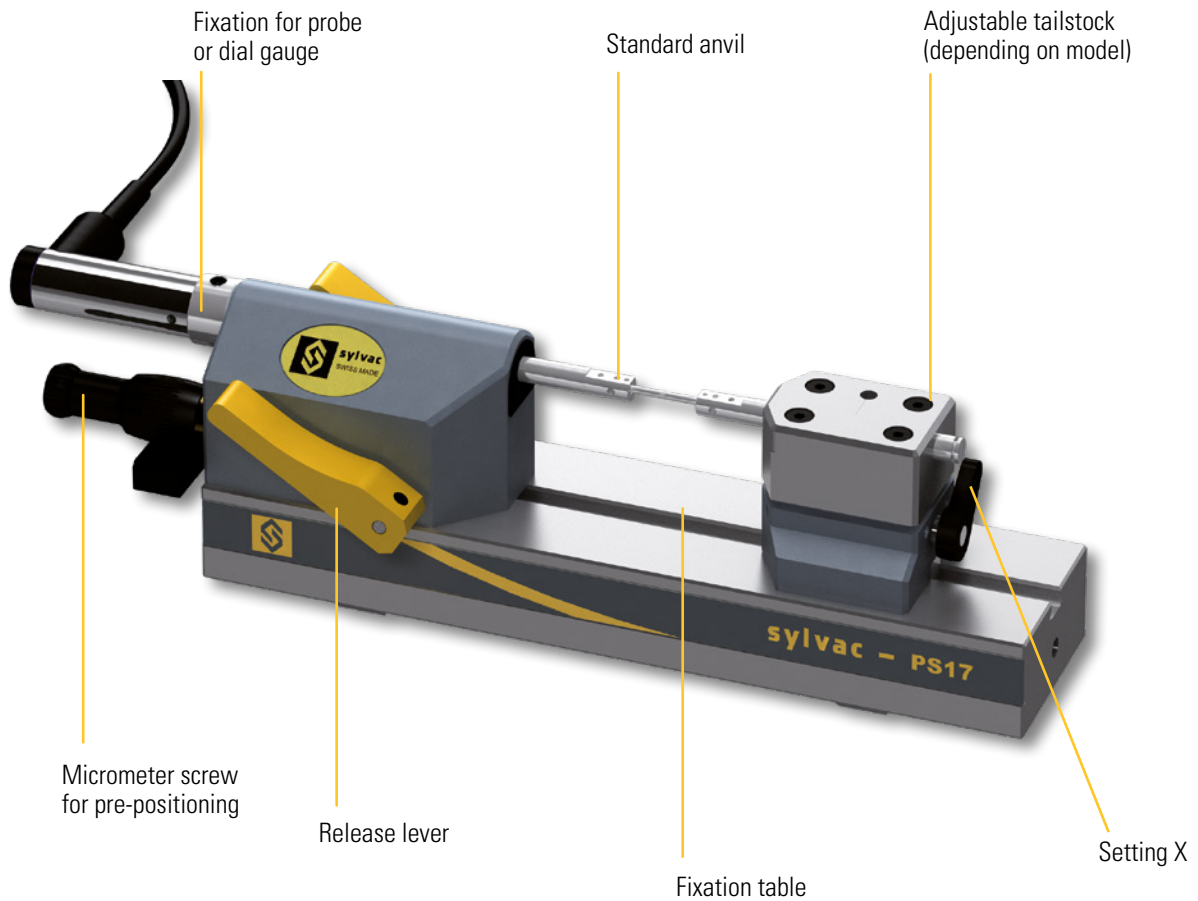


# Bench table

# PS17 VS/VP

## DESCRIPTION

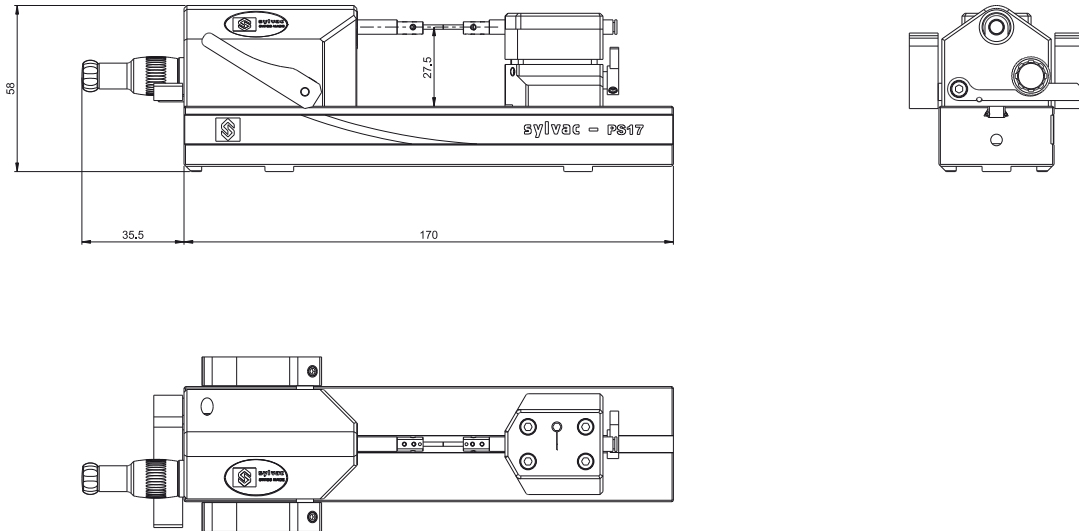
- Measuring bench with great flexibility of use for external dimensions
- Tailstock adjustable in X axis (and in Z, depends on model)
- Accurate micrometer screw for pre-positioning
- Compatibility with Sylvac anvils (Ø1.5mm) and Cary type anvils
- Several accessories available
- 2 models : Integrated P10 capacitive probe (VP) or free use with indicator (VS)



# Bench table

# PS17 VS/VP

## DIMENSIONAL DRAWING



## TECHNICAL SPECIFICATIONS

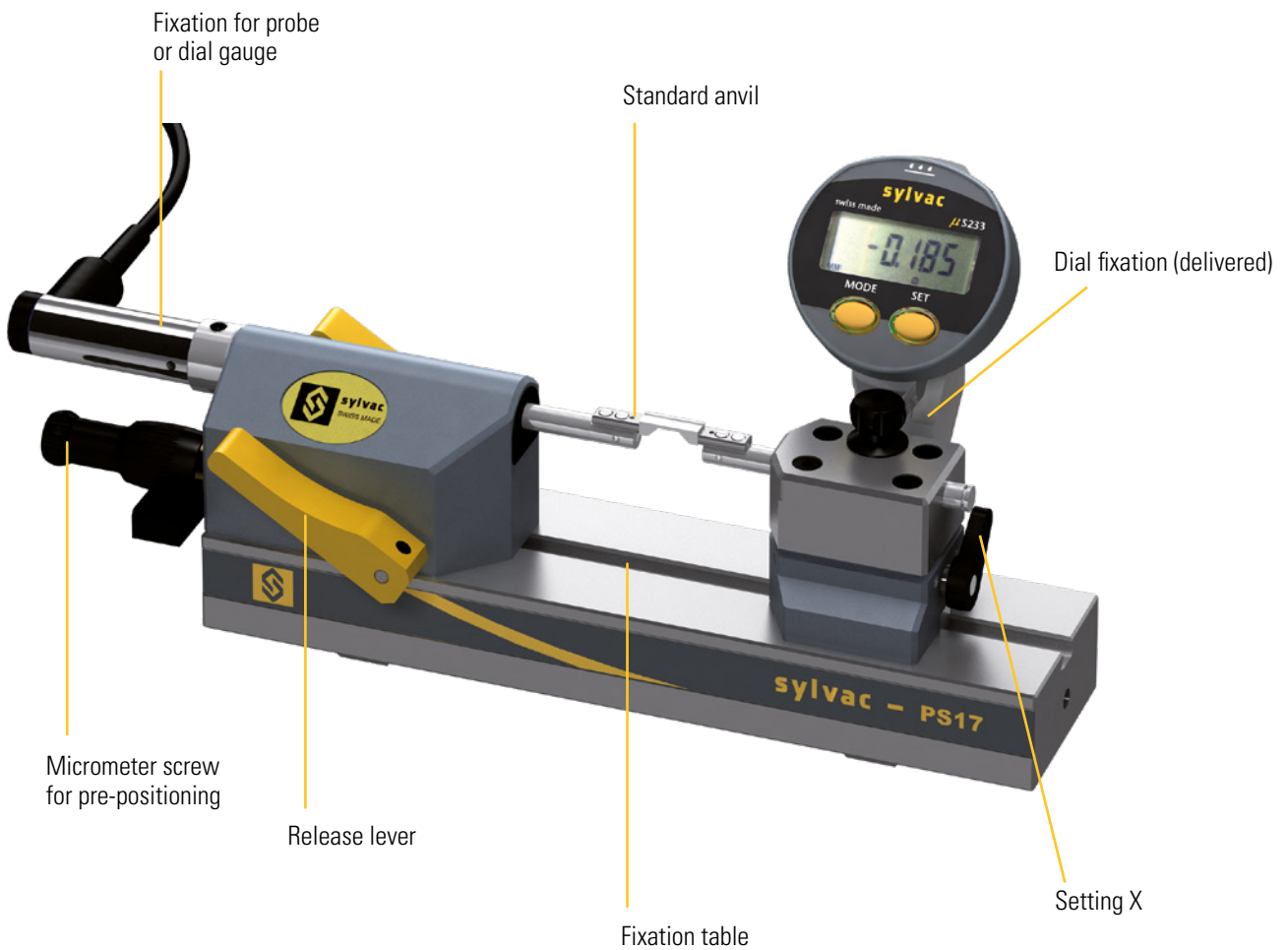
		908.1240	908.1241	908.1242	908.1243
Type		VS <sup>1)</sup>	VP <sup>1)</sup>	VS <sup>1)</sup>	VP <sup>1)</sup>
Measuring system		Dial gauge <sup>2)</sup>	Probe 10 mm	Dial gauge <sup>2)</sup>	Probe 10 mm
Tailstock adjustable in Z $\pm 1.75$ mm				•	•
Measurement capacity C	mm	37			
Measuring scale	mm	10			
Adjustable measuring force	N	0.2 - 1.0			
Weight	kg	1.4	1.5	1.4	1.5
Clamping anvils $\varnothing 1.5$ mm				•	
Compatibility with Cary				•	
Micrometer screw				•	

## BASIC INSTRUMENT

- Instrument according to technical specifications
- Instruction manual
- Measuring anvils  $\varnothing 1.5$  mm (908.2175)
- Calibration certificate for VP
- Dust cover

## DESCRIPTION

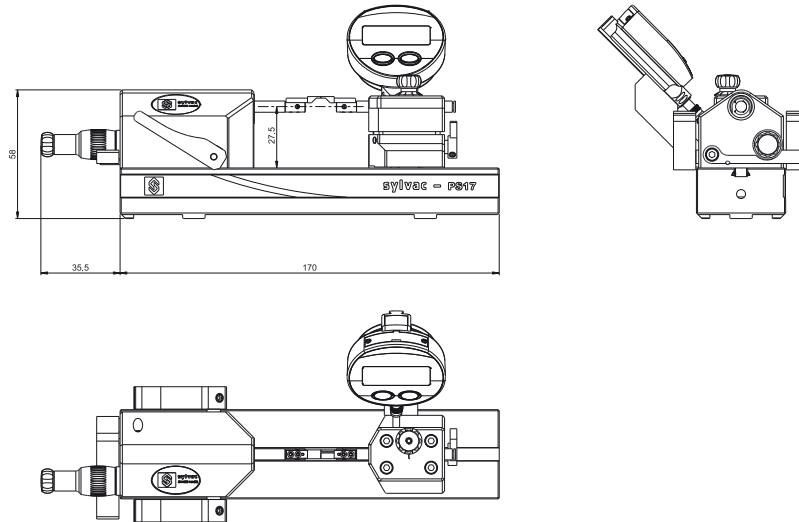
- Measuring bench with great flexibility of use for external dimensions
- Tailstock adjustable in X axis and in Z
- Mini indicator to display the position in Z axis (height) of the tailstock
- Delivered with carbide anvils 0.7mm with 90°V for the measure of distance width
- Accurate micrometer screw for pre-positioning
- Compatibility with Sylvac anvils (Ø1.5mm) and Cary type anvils
- Several accessories available
- 2 models : integrated P10 capacitive probe (VP) or Ø 8mm bore to locate any other measuring devices (VS)



# Bench table

# PS17 Entre-portée

## DIMENSIONAL DRAWINGS



## TECHNICAL SPECIFICATIONS

		908.1245	908.1244
Type		VP	VS
Measuring system		Probe 10 mm	Dial gauge <sup>1)</sup>
Tailstock adjustable in Z	$\pm 1.75$ mm	•	
Measurement capacity C	mm	0 - 37	
Measurement scale	mm	0 - 10	
Measurement force	N	1	
Working temperature (storage)	°C	5 - 40 (-10 - 60)	
Weight	kg	1.4	
Cary Compatibility		•	
Micrometer screw		•	

<sup>1)</sup> No-included on delivery

## BASIC INSTRUMENT

- Instrument according to technical specifications
- Instruction manual
- Measuring anvils Cary 0.7mm with V<sub>é</sub> (908.2220)
- Calibration certificate for VP
- Mini digital indicator
- Dust cover



# Bench table

# PS17

## TABLES, PLATES AND LAPPING



N°	Designation	PS17 VS / VP
908.2290	Supporting table adjustable XYZ	•
908.2301	Supporting table adjustable XZ	•
908.2296	Floating table	•

## ACCESSORIES



N°	Designation	PS17 VS / VP
908.2310	Kit for low and strong measuring force	•
908.2198	Replacement lapping stone for 908.2199	•
908.2199	Lapping device (3 stones and lapping liquid included)	•

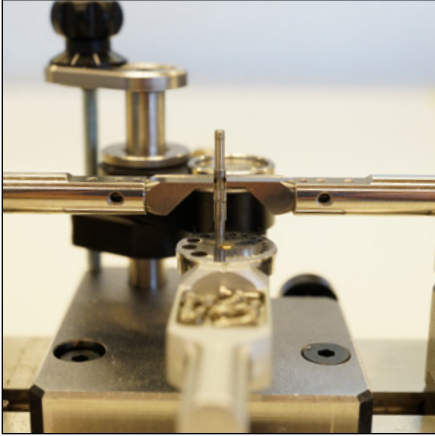
## ANVILS

Compatible anvils list at the end of this chapter.

# Bench table

# PS17

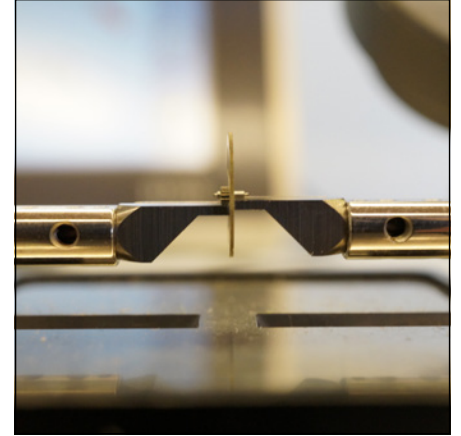
## APPLICATIONS STANDARD



Measure of a small part on a floating table




Multifunctional control station



Measure of a distance width with the Z axis adjustable tailstock.

## ANVILS

### Anvils Ø1.5


		B	F	C	PS15 BH	PS15 BV	PS15 BV+	PS16 V2	PS 17
N°	Designation								
	<b>908.2175</b> Cylindrical anvils TC Ø 1.5 mm	-	8	Ø 1.5	•		•	•	•
	<b>908.2176</b> Cylindrical anvils TC Ø 2 mm	-	8	Ø 2	•		•	•	•
	<b>908.2177</b> Cylindrical anvils TC Ø 6.5 mm	-	2	Ø 6.5				•	
	<b>908.2174</b> Knife-shaped anvils TC 0.7 mm	0.70	2.2	4	•		•	•	•
	<b>908.2178</b> Knife-shaped anvils TC 0.4 mm	0.40	2.2	4	•		•	•	•
	<b>908.2179</b> Knife-shaped anvils TC 0.3 mm	0.30	2.2	4	•		•	•	•
	<b>908.2180</b> Knife-shaped anvils standard TC 0.2 mm	0.20	2.2	4	•		•	•	•
	<b>908.2181</b> Knife-shaped anvils standard TC 0.14 mm	0.14	2.2	4	•		•		•
	<b>908.2182</b> Knife-shaped anvils standard TC 0.1 mm	0.10	2.2	4	•		•		•
	<b>908.2201</b> Knife-shaped anvils TC 0.7 mm/V	0.70	2.2	4	•		•	•	•
	<b>908.2202</b> Knife-shaped anvils standard TC 1.5 mm	1.5	2.2	4	•		•	•	•

# Bench table

# PS15/PS16/PS17

## ANVILS

### Anvils Cary

		B	F	C	PS15 BH	PS15 BV	PS15 BV+	PS16 V2	PS 17
N°	Designation								
	908.2214 Knife-shaped anvils TC 0.10 mm	0.10	2.2	4	●				●
	908.2221 Knife-shaped anvils TC 0.12 mm	0.12	2.2	4	●				●
	908.2215 Knife-shaped anvils TC 0.14 mm	0.14	2.2	4	●				●
	908.2213 Knife-shaped anvils TC 0.15 mm	0.15	2.2	4	●			●	●
	908.2216 Knife-shaped anvils TC 0.20 mm	0.20	2.2	4	●			●	●
	908.2217 Knife-shaped anvils TC 0.30 mm	0.30	2.2	4	●			●	●
	908.2218 Knife-shaped anvils TC 0.40 mm	0.40	2.2	4	●			●	●
	908.2219 Knife-shaped anvils TC 0.70 mm	0.70	2.2	4	●			●	●
	908.2220 Knife-shaped anvils TC 0.70 mm/vé	0.70	2.2	4	●			●	●
	908.2223 Knife-shaped anvils TC 1.5 mm	-	6	Ø1.5	●			●	●
	908.2224 Cylindrical anvils TC Ø 1.5 mm	-	6	Ø2	●			●	●
	908.2225 Cylindrical anvils TC Ø 2.0 mm	-	6	Ø3	●			●	●
	908.2222 Cylindrical anvils TC Ø 3.0 mm	1.50	2.2	4	●			●	●





# OPTICAL MEASURING MACHINES

---

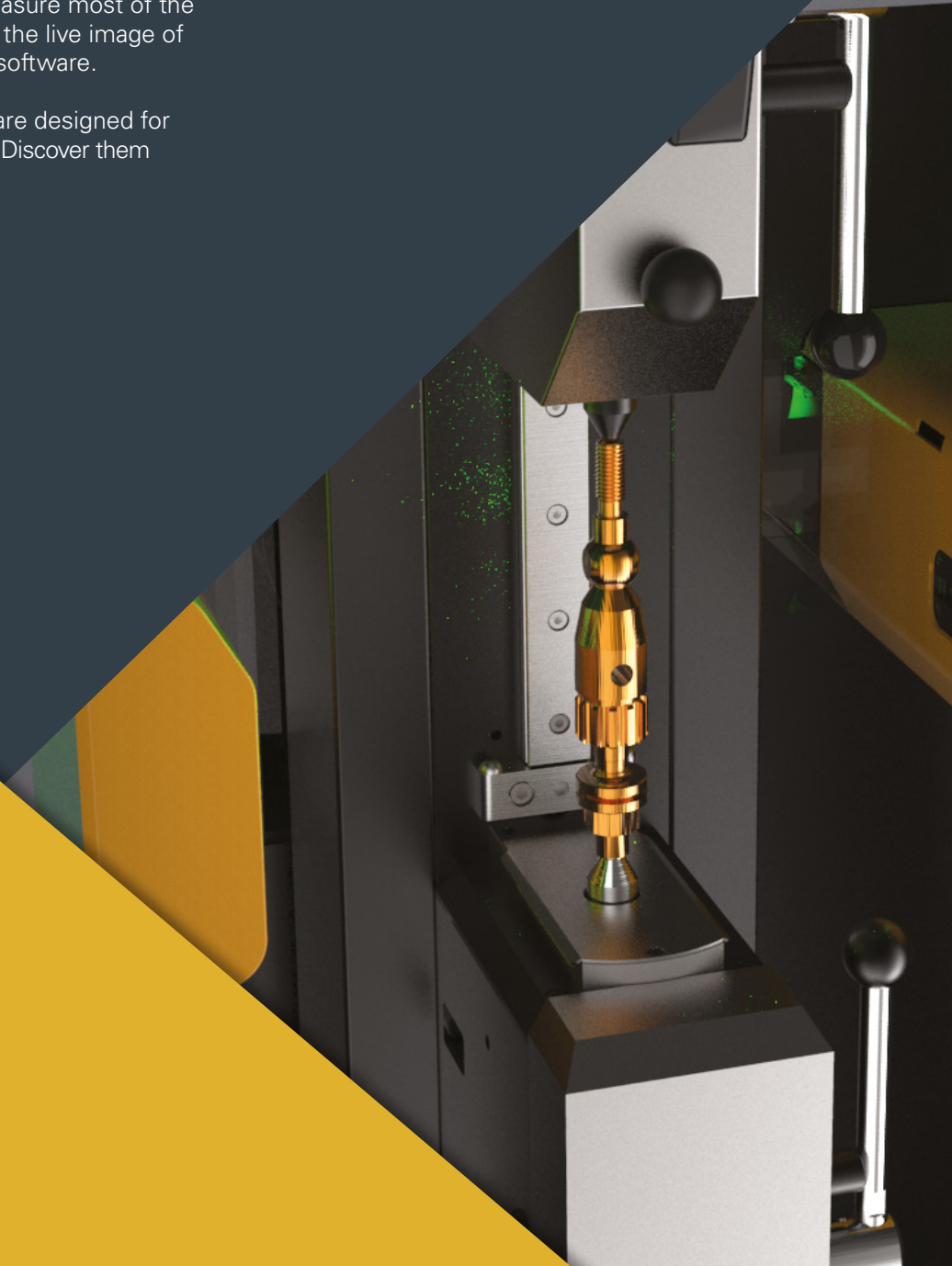
## **SYLVAC SCAN**

Dedicated to fast, precise, non-contact measurement of cylindrical parts. Our new SCAN machines reproduce high resolution images of the components profile in just a few seconds. Thanks to the easy to use REFLEX-SCAN software, parts can be measured with just a click of a button, offering over 150 different types of measurement features.

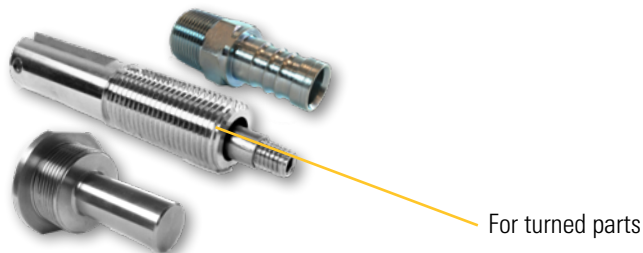
## **SYLVAC VISIO**

Our 2.5D video measuring systems equipped with manual XY stage and manual/motorized optical zoom allow to quickly measure most of the industrial components based on the live image of the workpiece displayed on the software.

Our SCAN and VISIO machines are designed for use in the workshop or laboratory. Discover them without further delay !



- Horizontal SCAN machine, measuring in landscape format, the same as the parts are produced
- Robust construction with granite column for use in workshop or control laboratory
- Concept Reflex SCAN patented for measuring cylindrical workpieces without preprogramming
- Measurements performed in seconds by a single click
- Load the part, click the button and you get all the main values directly!
- Automatic recognition of recorded parts already measured
- Easy daily calibration thanks to the integrated master
- Quick return of investment

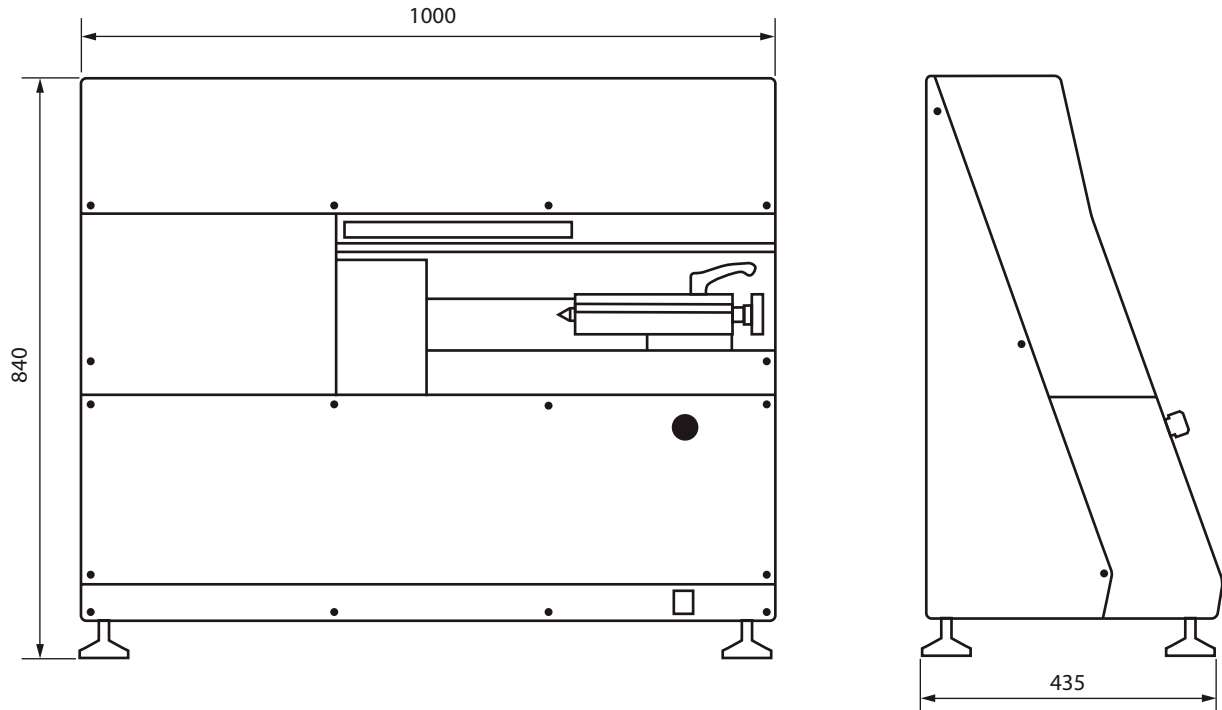


# Optical measurement

# SYLVAC-SCAN

## DIMENSIONAL DRAWINGS

## 52 REFLEX-CLICK



## TECHNICAL SPECIFICATIONS

		902.5520		902.5521	
		Diameter	Length	Diameter	Length
Measuring range	mm	0.5 ÷ 52	300	0.5 ÷ 52	300
Resolution up to	mm	0.0001	0.0005	0.0001	0.0005
Max. error	µm	1.5 + D/100	4 + L/100	1.5 + D/100	4 + L/100
Repeatability	µm	0.6	2.5	0.6	2.5
Headstock		Non-Rotating headstock for static measurements		Rotary headstock for static and dynamic measurements	
Max. weight of part	kg	4			
Machine's weight	kg	103			

## BASIC INSTRUMENT

- Instrument according to technical specifications
- Accessories : 2x 902.6202, 902.6161, 902.6212
- Computer with screen, keyboard and mouse
- Windows multilingual operating system
- Sylvac Reflex SCAN Software
- Manual



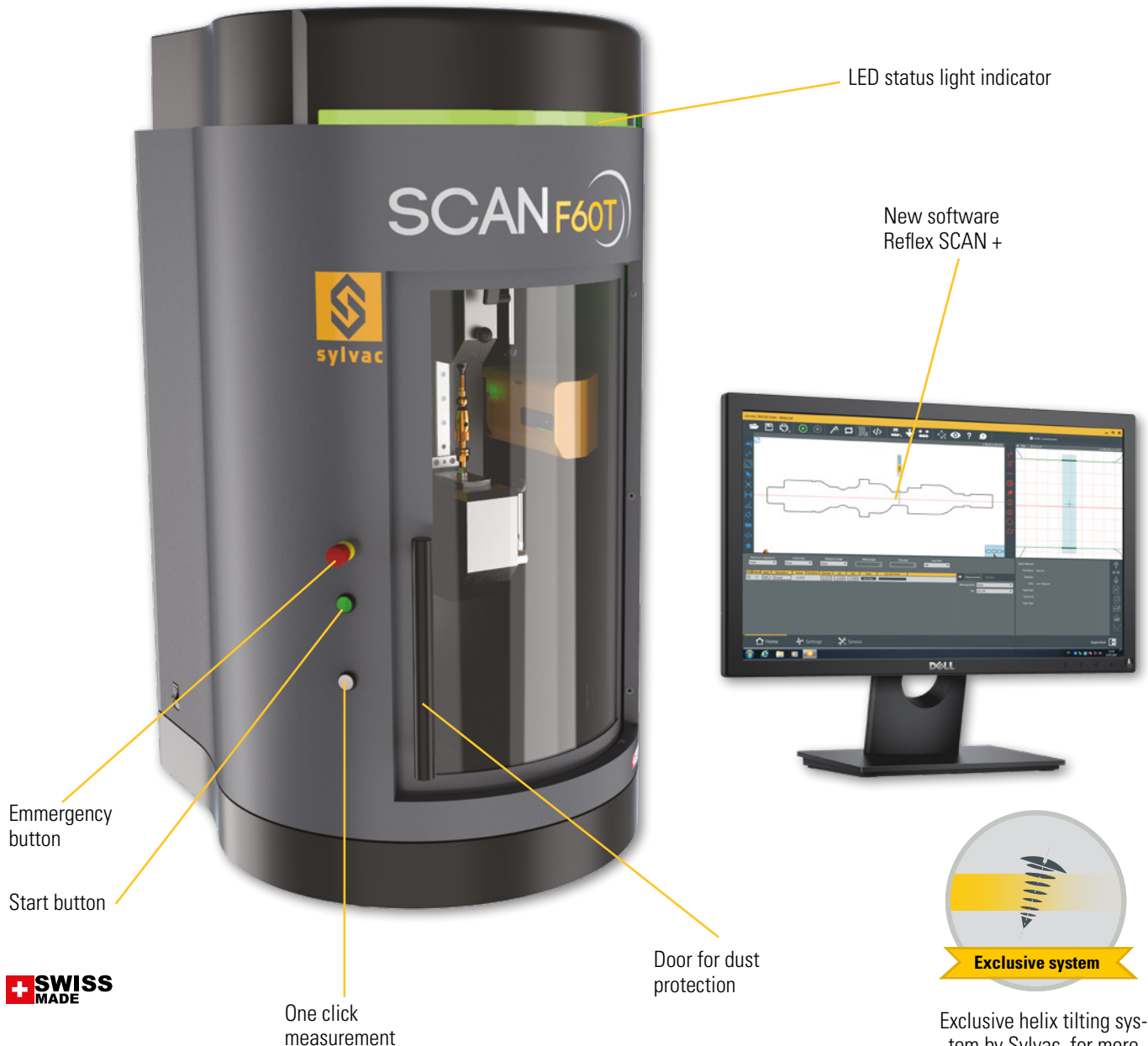
# Optical measurement

# SYLVAC-SCAN

## DESCRIPTION

F60 & F60T

- Concept Reflex SCAN patented for measuring cylindrical workpieces without preprogramming
- Part measurement from **0.2 to 64mm diameter and up to 300mm** length
- Complete 2D part scan in <3 seconds !
- Reduce inspection time, scrap and increase productivity
- Exclusive helix tilting system for thread measurements (only on T models)
- Quick return of investment, typically < 6 months
- New software Reflex SCAN + : advanced programming and functions
- Quick release tooling



**Exclusive system**

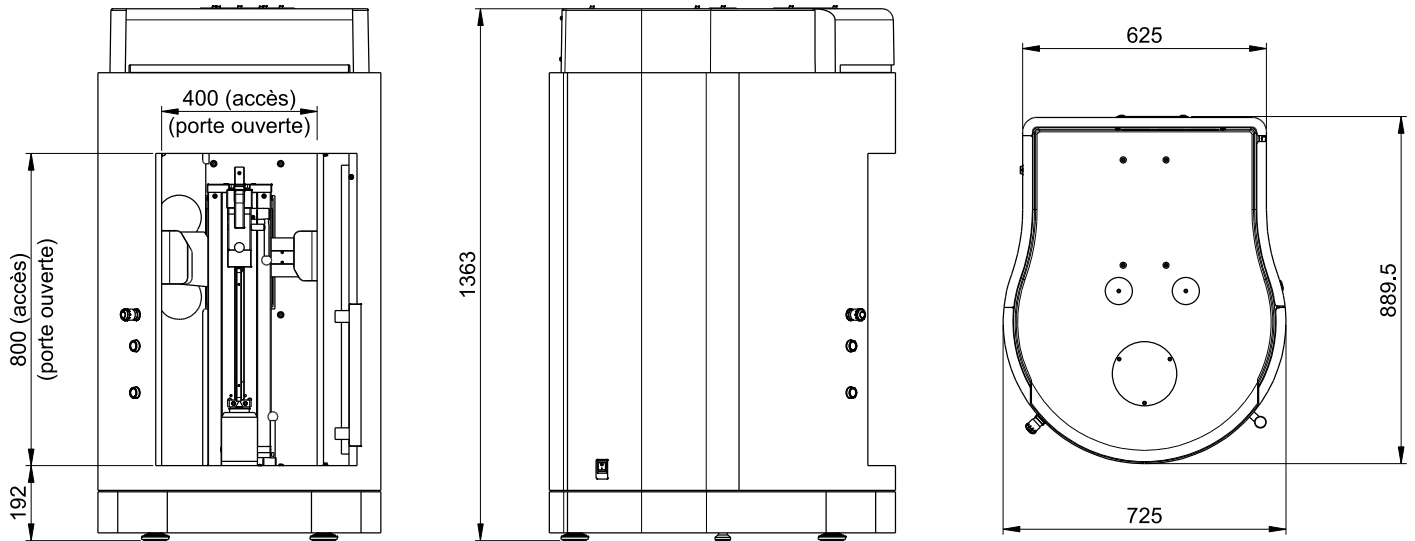
Exclusive helix tilting system by Sylvac, for more comprehensive thread measurements.

# Optical measurement

# SYLVAC-SCAN

## DIMENSIONAL DRAWINGS

F60 & F60T



## TECHNICAL SPECIFICATIONS

		902.4060		902.4065	
		Sylvac SCAN F60		Sylvac SCAN F60T	
		Diameter	Length	Diameter	Length
Measuring range	mm	64	300	64	300
Resolution up to	mm	0.0001	0.0001	0.0001	0.0001
Max. error	µm	$(1 + D[\text{mm}]/100) \mu\text{m}$	$(3 + L[\text{mm}]/200) \mu\text{m}$	$(1 + D[\text{mm}]/100) \mu\text{m}$	$(3 + L[\text{mm}]/200) \mu\text{m}$
Repeatability	µm	0.5	1.0	0.5	1.0
Holding capacity diameter	mm	120	315	120	315
Headstock		Rotary headstock for static and dynamic measurements			
Tilting for thread measurement		-		• 30°	
Max. weight of part	kg	10			
Machine's weight	kg	265			

## BASIC INSTRUMENT

- Instrument according to technical specifications
- Accessories : 2x 902.6202, 902.6161, 902.6212
- Computer with screen, keyboard and mouse
- Windows multilingual operating system
- Sylvac Reflex SCAN Software +
- Manual

# Optical measurement

# SYLVAC-SCAN

## DESCRIPTION

F60L & F60LT

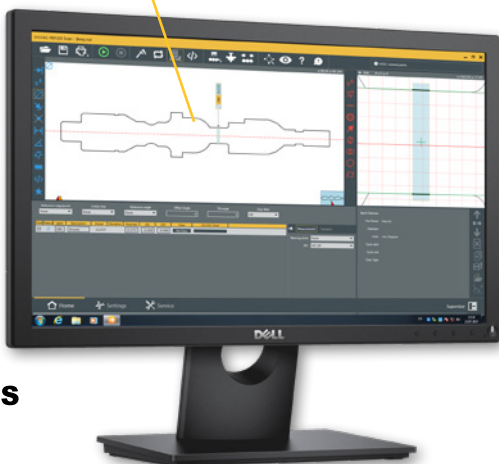
- Concept Reflex SCAN patented for measuring cylindrical workpieces without preprogramming
- Part measurement from **0.2 to 64mm diameter and up to 500mm** length
- Complete 2D part scan (500mm) in <5 seconds !
- Reduce inspection time, scrap and increase productivity
- Exclusive helix tilting system for thread measurements (only on T models)
- Quick return of investment, typically < 6 months
- New software Reflex SCAN + : advanced programming and functions
- Quick release tooling

LED status light indicator



Exclusive helix tilting system by Sylvac, for more comprehensive thread measurements.

New software Reflex SCAN +



One click measurement



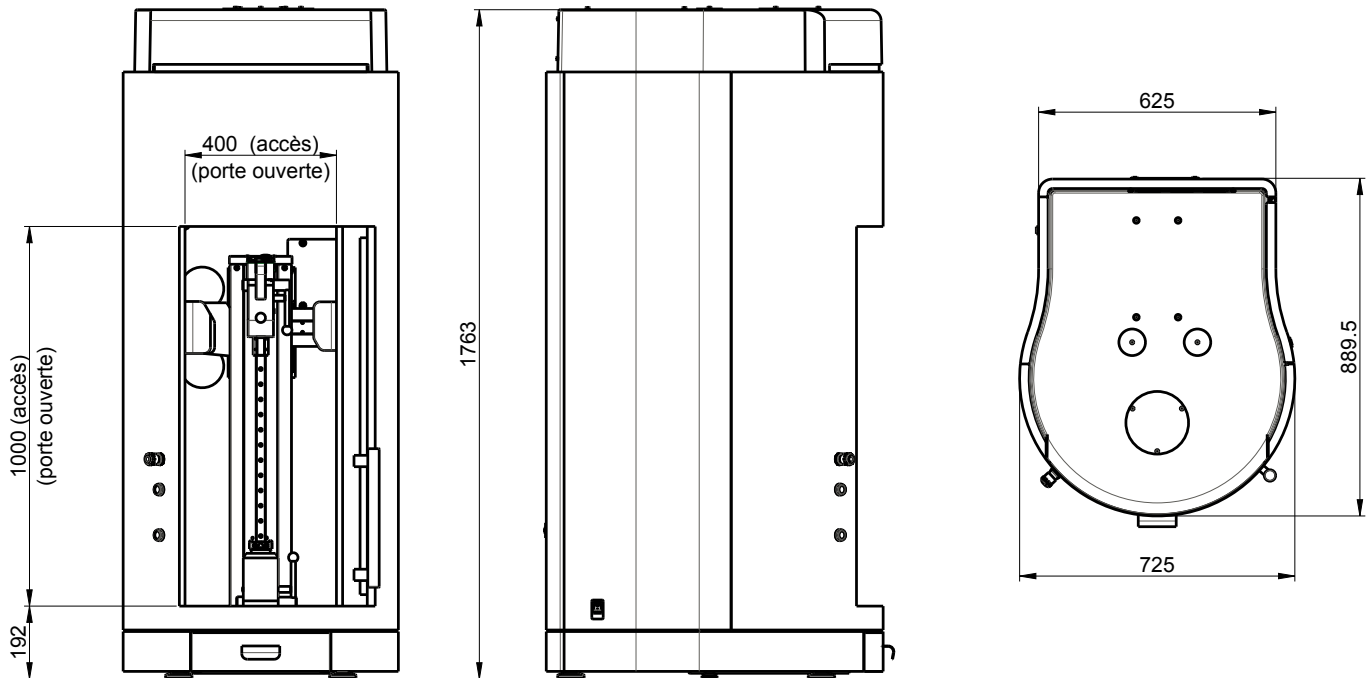
Door for dust protection

# Optical measurement

# SYLVAC-SCAN

## DIMENSIONAL DRAWINGS

## F60L & F60LT



## TECHNICAL SPECIFICATIONS

		902.4062		902.4067	
		Sylvac SCAN F60L		Sylvac SCAN F60LT	
		Diameter	Length	Diameter	Length
Measuring range	mm	64	500	64	500
Resolution up to	mm	0.0001	0.0001	0.0001	0.0001
Max. error	$\mu\text{m}$	$(1 + D[\text{mm}]/100) \mu\text{m}$	$(3 + L[\text{mm}]/200) \mu\text{m}$	$(1 + D[\text{mm}]/100) \mu\text{m}$	$(3 + L[\text{mm}]/200) \mu\text{m}$
Repeatability	$\mu\text{m}$	0.5	1.0	0.5	1.0
Holding capacity diameter	mm	120	500	120	500
Headstock	Rotary headstock for static and dynamic measurements				
Tilting for thread measurement		-		• 30°	
Max. weight of part	kg	10			
Machine's weight	kg	330			

## BASIC INSTRUMENT

- Instrument according to technical specifications
- Accessories : 2x 902.6202, 902.6161, 902.6212
- Computer with screen, keyboard and mouse

- Windows multilingual operating system
- Sylvac Reflex SCAN Software +
- Manual

	FUNCTIONS	
	SYLVAC REFLEX SCAN	SYLVAC REFLEX SCAN+
Automatic measurement of the main features (diameters, lengths, angles, radius)	●	●
Automatic parts / program recognition	●	●
Off-line programming		option
Advanced dust filtering		●
Statistic view		●
CAD import		●
Reports editor	●	●
Data export	●	●
SPC basic calculations	●	●
Script function		option
SPC software	On request	On request
Access management - security level	1	multiple

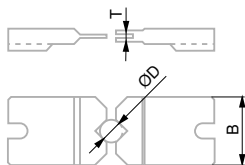
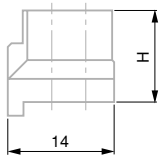
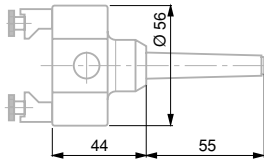
	GEOMETRICAL TOLERANCING - FEATURES SUMMARY	
	SYLVAC REFLEX SCAN	SYLVAC REFLEX SCAN+
Diameters	●	●
Lengths, heights, distances	●	●
Angles, chamfers	●	●
Radii	●	●
Threads (parallel)	●	●
Threads (root detail, taper, multi-starts, ball screws, worm screws, special threads)		●
Perpendicularity		●
Form deviation		●
2 and 3D alignment of the parts (axis correction)	●	●
Rotational diameters	●	● advanced
Run out	●	● advanced
Concentricity	●	●
Roundness	●	●
Cylindricity	●	●
Across flats	●	●
Straightness	●	●
Interrupted parts (splines, turbines)		●

# Optical measurement

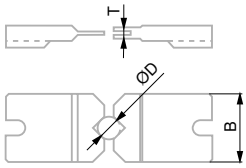
# SYLVAC-SCAN

## ACCESSORIES

Morse 2  
SCAN 52 / F60



<p><b>902.6220</b></p>	<p>Two-jaw gripper External clamping for manual use</p>	<p>• Requires 902.6360</p>
<p><b>902.6231</b> H=22</p>	<p>Raising blocks for external jaws, in pairs</p>	<p>• <i>(Morse 1 requires 902.6220)</i></p>
<p><b>902.6141</b> 0-6 mm T=1.5</p> <p><b>902.6142</b> 0-6 mm T=3</p> <p><b>902.6143</b> 6-12 mm T=3</p> <p><b>902.6144</b> 12-18 mm T=6</p> <p><b>902.6145</b> 18-24 mm T=9</p> <p><b>902.6152</b> 0-6 mm T=6</p> <p><b>902.6153</b> 0-6 mm T=15</p> <p><b>902.6140</b> 6-12 mm T=15</p>	<p>External jaws, in pairs</p>	<p>• For 902.6220 <i>(also for Morse 1)</i></p>

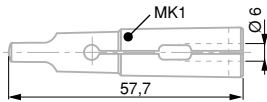


**902.6154**

Set with:  
902.6141  
902.6142  
902.6143  
902.6144  
902.6145

External jaws,  
in pairs

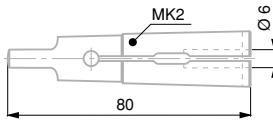
902.6141 : Jaws dia 0-6mm, T1=1.5mm  
902.6142 : Jaws dia 0-6mm, T1=1.3mm  
902.6143 : Jaws dia 6-12mm, T1=3mm  
902.6144 : Jaws dia 12-18mm, T1=6mm  
902.6145 : Jaws dia 18-24mm, T1=9mm



**902.6250**

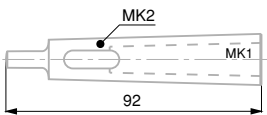
Center  
adapter with  
a 6 mm dia.  
coupling bore

*Only for Morse 1*



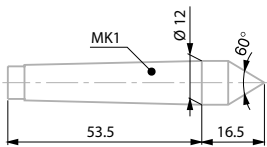
**902.6251**

Center adapter  
with a 6 mm dia.  
coupling bore



**902.6360**

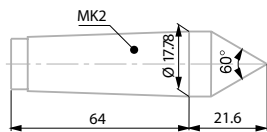
Reduction  
sleeve,  
Morse 2 to 1



**902.6000**

Extra male center, 10 mm  
(2 items provided with  
SYLVAC-SCAN 25)

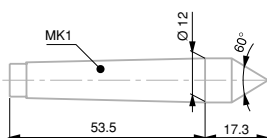
*Only for Morse 1*



**902.6202**

Extra male center, 17.78 mm  
(2 items provided with SYLVAC-SCAN F60 and  
SYLVAC-SCAN 52 Reflex-Click)

Standard



**902.6203**

Drive centre  
(Diamond coated 10 mm)

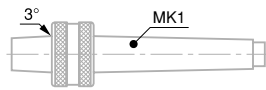
*Only for Morse 1*

# Optical measurement

# SYLVAC-SCAN

## ACCESSORIES

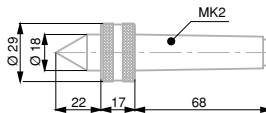
Morse 2  
SCAN 52 / F60



**902.6160**

Rotation center with a B12 male taper plus a Morse 1 taper shank  
(For added sleeves 902.6206/902.6207)

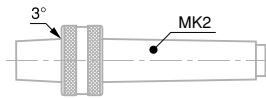
*Only for Morse 1*



**902.6161**

Rotation center, Morse 2  
(1 item provided with SYLVAC-SCAN F60 and SYLVAC-SCAN 52 Reflex-Click)

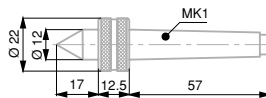
Standard



**902.6162**

Rotation center with a B18 male taper plus a Morse 2 shank

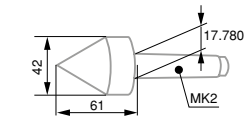
•



**902.6163**

Rotation center, Morse 1

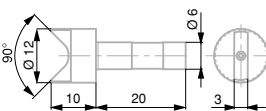
*Only for Morse 1*



**902.6380**

Rotation center, Morse 2

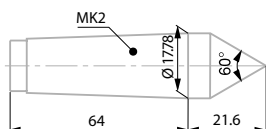
•



**902.6204**

Female center, 10 mm dia.

Requires 902.6251  
*(also for Morse 1, with 902.6250)*



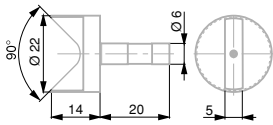
**902.6212**

Extra male center, 17.78 mm, diamond coated  
(1 item provided with SYLVAC-SCAN F60 and SYLVAC-SCAN 52 Reflex-Click)

Standard



Morse 2  
SCAN 52 / F60

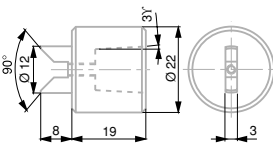


**902.6205**

Female center,  
20 mm dia.

•  
Requires  
902.6251

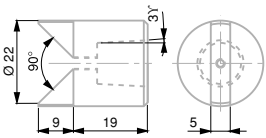
*(Morse 1 requires 902.6250)*



**902.6206**

Female center,  
10 mm dia.  
Also with internal  
B12 taper

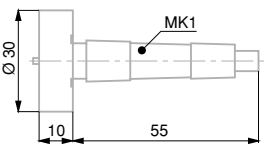
*Only for Morse 1  
(requires 902.6160)*



**902.6207**

Female center,  
12 mm dia.  
Also with internal  
B12 taper

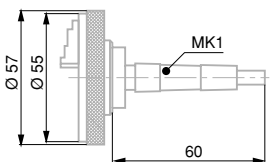
*Only for Morse 1  
(requires 902.6160)*



**902.6208**

Platten,  
30 mm dia.

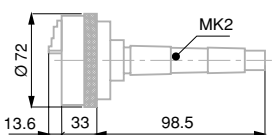
*Only for Morse 1*



**902.6300**

3-jaw chuck, clamping range 1÷15 mm  
(Clamping capacity: outside 1÷15 mm  
inside 11÷26 mm)

•  
Requires  
902.6360  
*(also for Morse 1)*



**902.6301**

3-jaw chuck with Morse 2  
taper shank, clamping range 2÷50 mm  
(Clamping capacity: outside 2÷50 mm  
inside 23÷50 mm)

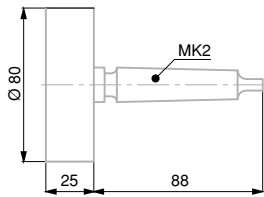
•

# Optical measurement

# SYLVAC-SCAN

## ACCESSORIES

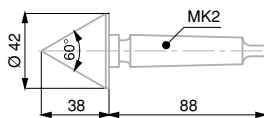
Morse 2  
SCAN 52 / F60



**902.6209**

Platten,  
80 mm dia. with a  
Morse 2  
taper shank

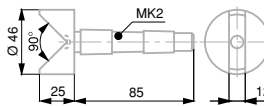
•



**902.6210**

Drive centre, Ø 40 mm.  
Diamond coated  
with a Morse 2 taper shank

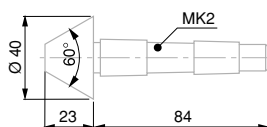
•



**902.6340**

Female centre, 40 mm dia.  
with a Morse 2 taper shank

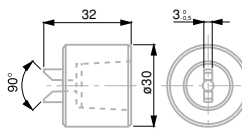
•



**902.6341**

Male centre, 15-40 mm dia.  
with a Morse 2 taper shank

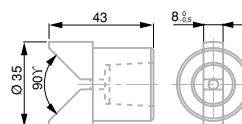
•



**902.6310**

Female center, 10 mm dia.,  
with a B18 internal taper

•  
Requires  
902.6162

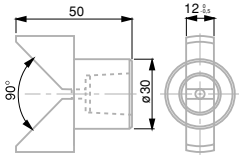


**902.6311**

Female center, 30 mm dia.,  
with a B18  
internal taper

•  
Requires  
902.6162

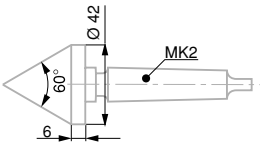
Morse 2  
SCAN 52 / F60



**902.6312**

Female center, 45 mm dia.,  
with a B18  
internal taper

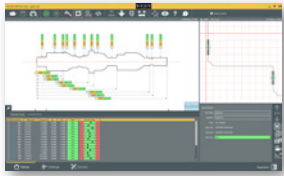
•  
Requires  
902.6162



**902.6410**

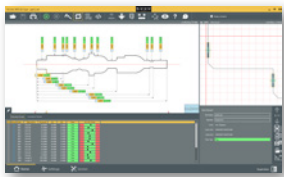
Drive centre - diamond coated,  
42 mm dia. max.

•



**902.7015**

Reflex SCAN+ Offline Software



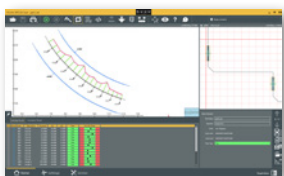
**902.7016**

Reflex SCAN+ Script programming



**902.7017**

REFLEX-SCAN+ Automation software module









**902.7018**

REFLEX-SCAN+ CAD compare software

# Optical measurement

# SYLVAC-SCAN

## ACCESSORIES

			SCAN 52	SCAN F60
	<b>902.6012</b>	Gold demo part	•	•
	<b>902.6013</b>	Gold demo part for threads	•	•
	<b>902.6600</b>	Table for Sylvac SCAN F60 (85x85x70mm)		•
	<b>902.6601</b>	Furniture for Sylvac SCAN F60 storage for PC, drawer with lock and arm for keyboard and screen.		•
	<b>902.6605</b>	Height-adjustable table (71-1140mm) for keyboard, screen and mouse (80x60)		•
	<b>902.6607</b>	Accessories tidy insert for drawer (combined with 902.6601)		•
	<b>902.6608</b>	Pneumatic tailstock		•



Our Sylvac Scan range can be fully automated with a robot that can load all your workpieces for you directly on the machine for measurement. Available on request.

# Optical measurement

# SYLVAC-VISIO

## DESCRIPTION

200 & 300 V3

- High quality 2.5D video measuring system with larger field of view up to 30x19mm (standard config 15x9.5mm)
- New software layout with auto toggle screens live/schematic and touch compatible
- Full HD Camera with improved image quality
- Robust construction with stage mounted on granite base and vertical column in granite
- Manual table stage releasable for quick XY movement, fitted with high precision encoders
- High quality bearing guidance for better accuracy
- Optics including CMOS camera and Navitar zoom (manual or motorised)
- Programmable triple lighting: coaxial, ring light programmable by sector and diascope light
- Multilingual Sylvac VISTA software easy to use

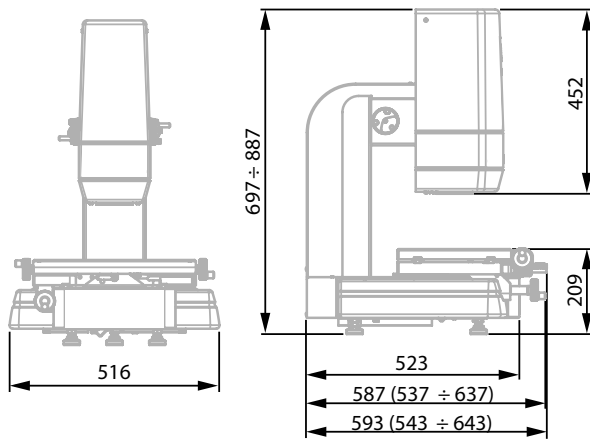


# Optical measurement

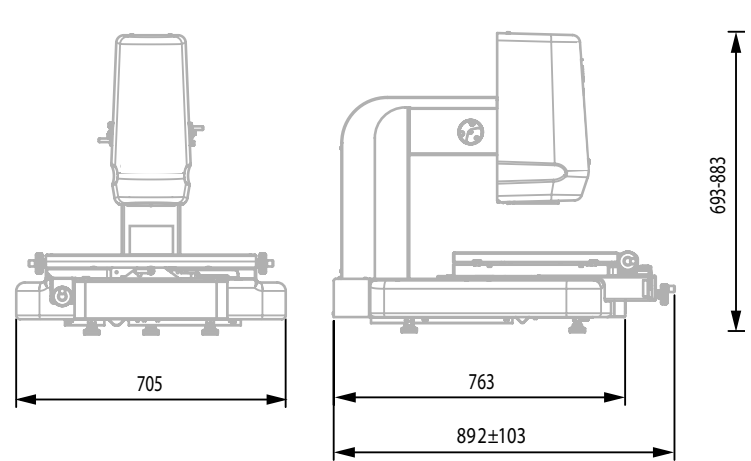
# SYLVAC-VISIO

## DIMENSIONAL DRAWINGS

200 & 300 V3



**Sylvac VISIO 200 V3**



**Sylvac VISIO 300 V3**

## TECHNICAL SPECIFICATIONS

		902.2210	902.2211	902.2310
Model		Sylvac Visio 200		Sylvac Visio 300
Measuring volume	mm	200x100x150		300x200x150
X, Y Accuracy ( $E_1, X, Y$ )	$\mu\text{m}$	$1.9 + 10L/1000$ (L = mm) <sup>1) 3)</sup>		$1.9 + 4L/1000$ (L = mm) <sup>1) 3)</sup>
XY Accuracy ( $E_2, XY$ )	$\mu\text{m}$	$2.4 + 10L/1000$ (L = mm) <sup>1) 3)</sup>		$2.4 + 4L/1000$ (L = mm) <sup>1) 3)</sup>
Z Accuracy ( $E_1, Z$ ) <sup>2)</sup>	$\mu\text{m}$	$2.9 + 10L/1000$ (L = mm)		$2.9 + 5L/1000$ (L = mm)
Resolution	mm	0.001		0.001
Max. load capacity	kg	10		16
Magnification		12x - 288x (Standard configuration 24x - 144x)		
Zoom		Manuel 6.5x	Motorised 6.5x	Motorised 6.5x
Weight		98		170
International standards		EN61000-6-2, EN61000-6-4, EN61326-1, EN12100-1, EN12100-2		

<sup>1)</sup>  $m \leq 5$  kg

<sup>2)</sup> mechanical accuracy

<sup>3)</sup> at glass plate level

## BASIC INSTRUMENT

- Instrument according to technical specifications
- Software Sylvac Vista multilingual
- Computer with touchscreen 23", keyboard and mouse
- CAD compare software
- Windows 7 multilingual operating system
- Manual
- Calibration certificate

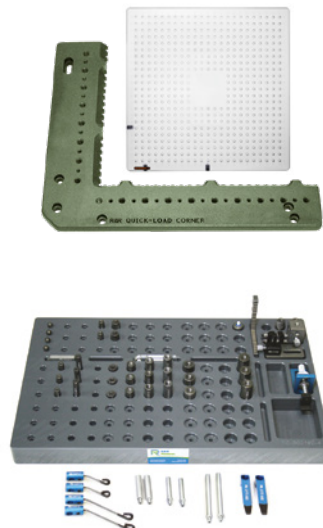




## ACCESSORIES

		VISIO 200	VISIO 300
	<b>902.6020</b> Visio demo part	•	•
	<b>902.7370</b> Diascopic illumination, parallel light	•	•
	<b>902.7100</b> Additional lens, 0,5x for zoom 6,5x	•	•
	<b>902.7101</b> Additional lens, 0,75x for zoom 6,5x	•	•
	<b>902.7102</b> Additional lens, 1,5x for zoom 6,5x	•	•
	<b>902.7103</b> Additional lens, 2x for zoom 6,5x	•	•
	<b>902.7380</b> Foot switch for value capture	•	•
	<b>902.7390</b> Sylvac - Reflex Vista COMPARE	Standard delivery	Standard delivery

# Optical measurement

# SYLVAC-VISIO

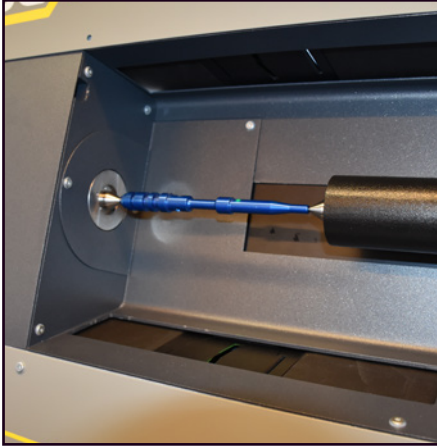
## ACCESSORIES KITS

		VISIO 200	VISIO 300
 <p><b>902.7300</b></p>	<p>Basic fixtures Kit :</p> <ul style="list-style-type: none"> <li>• 1x Quick-Load Corner Fixture (QLC)</li> <li>• 1x 13mm x 150mm x 150mm R&amp;R Acrylic Multi-Hole Fixture Plate</li> <li>• 1x (3) Dowel Pins</li> <li>• 3x 6mm Dia. x 10 and x 25mm Standoff</li> <li>• 3x 9mm Dia. x 5, x 10, x 20 and x 25mm Standoff</li> <li>• 3x 12mm Dia. x 10 and x 25mm Standoff</li> <li>• 2x 6mm Dia. x 10mm Pin Standoff</li> <li>• 2x 9mm Dia. x 10mm Pin Standoff</li> <li>• 2x 40mm Tension Clamp with Rubber Coated Tip</li> <li>• 2x 25mm Wire Clamp with Rubber Coated Tip</li> <li>• 2x 50mm Wire Clamp with Rubber Coated Tip</li> <li>• 4x Aluminium Resting Pin with M4 Thread</li> <li>• 1x 50mm x 50mm Corner Viewer for M4</li> <li>• 1x 9mm Dia. Adjustable Jackstand with M4 Thread</li> <li>• 1x M4 Pusher Clamp</li> <li>• 1x 30mm and 1x 45mm Long Adjustable Slide with M4 Thread</li> <li>• 1x M4 Tower Block</li> <li>• 1x Micro-Clamp Vise with Base for M4 Components</li> <li>• 1x 12mm Dia. x10mm Spring Pusher Standoff Clamp</li> <li>• 1x 300mm x 190mm x 25mm Component Tray to Hold M4 Components</li> </ul>	<p>•</p>	<p>•</p>
 <p><b>902.7301</b></p>	<p>Advanced fixtures Kit :</p> <p>All Basic fixtures (acrylic plate 13x200x200mm) kit added with :</p> <ul style="list-style-type: none"> <li>• 3x 6mm Dia. x 5, x 10 and x 25mm Standoff</li> <li>• 3x 9mm Dia. x 10, x 20, x 25mm Standoff</li> <li>• 3x 12mm Dia. x 10, x25mm Standoff</li> <li>• 2x 6mm Dia. x 10mm Pin Standoff</li> <li>• 2x 9mm Dia. x 10mm Pin Standoff</li> <li>• 4x 12mm Dia. x 10mm Pin Standoff</li> <li>• 2x 40mm Tension Clamp with Rubber Coated Tip</li> <li>• 2x 25mm Wire Clamp with Rubber Coated Tip</li> <li>• 2x 50mm Wire Clamp with Rubber Coated Tip with 50mm Post</li> <li>• 1x 9mm Dia. Adjustable Jackstand with M4 Thread</li> <li>• 1x 30mm and 1x 45mm Long Adjustable Slide with M4 Thread</li> <li>• 1x Base 16mm Sq x 19mm (for M4 Tower Block)</li> </ul>	<p>•</p>	<p>•</p>
 <p><b>902.7104</b></p>	<p>Fresnel kit 0.5x Fresnel lens + lens 0.5x + fixation screws (for Ringlight)</p>	<p>•</p>	
 <p><b>902.7105</b></p>	<p>Fresnel kit 0.75x Fresnel lens + lens 0.75x + fixation screws (for Ringlight)</p>	<p>•</p>	
 <p><b>902.7106</b></p>	<p>Fresnel kit 1.5x Fresnel lens + lens 1.5x + fixation screws (for Ringlight)</p>	<p>•</p>	

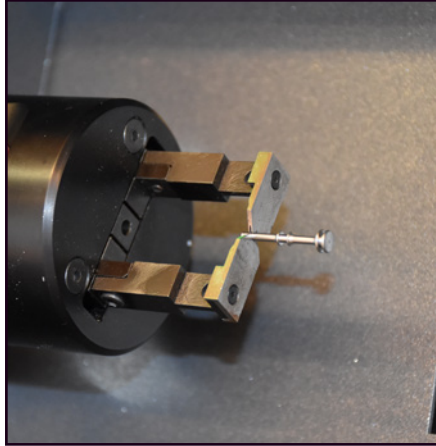


# Optical measurement

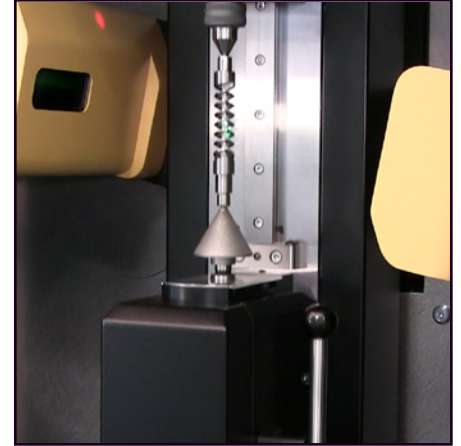
## APPLICATIONS



Measurement of a turned part with SCAN 52



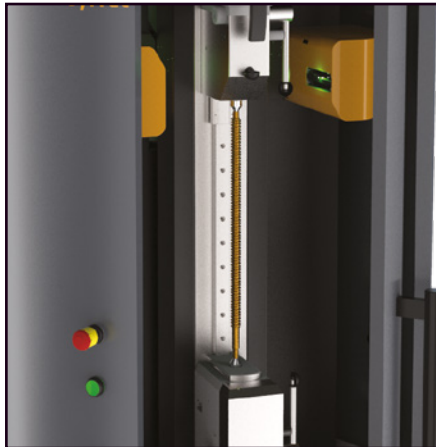
Small turning part held with 2-jaws gripper accessory on SCAN 52



Thread measurement with SCAN F60T



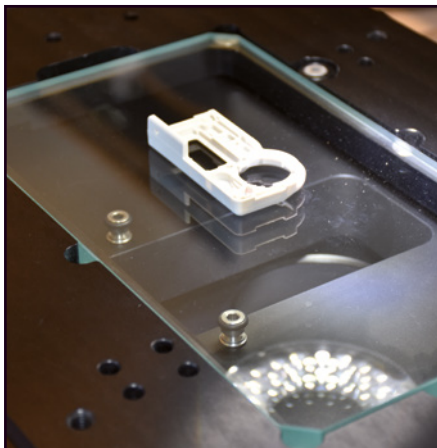
Part measurement with SCAN F60



Part measurement with SCAN F60L



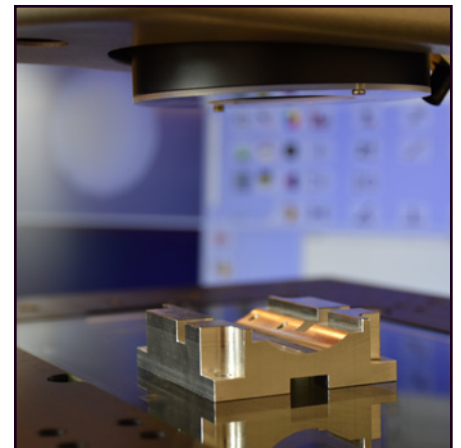
SCAN 52 and robot : closed loop with automatic correction of the part



Part lit by ring light on VISIO



Part lit by diasopic light on VISIO



Part lit by coaxial light on VISIO







**sylvac**

Sylvac SA  
Chemin du Cloalet 16  
1023 Crissier - CH

